

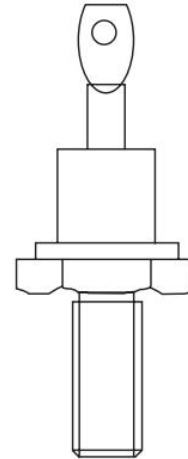
Standard Recovery Diode

FEATURES

- High surge current capability
- Wide current range
- Designed and qualified for industrial and consumer level
- Minimum Lot-to-Lot variations for robust device performance and reliable operation

APPLICATIONS

- Battery charges
- Converters
- Power supplies
- Machine tool controls



ABSOLUTE MAXIMUM RATINGS

SYMBOL	PARAMETER	CONDITIONS		VALUE	UNIT
V_{RRM}	Repetitive Peak Reverse Voltage			600	V
$I_{F(AV)}$	Average Forward Current	$T_C=140^{\circ}C$, 180° conduction, half sine wave		16	A
I_{FSM}	Surge Forward Current	t=10ms	No voltage reappplied	350	A
		t=8.3ms		370	
		t=10ms	100% V_{RRM} reappplied	295	
		t=8.3ms		310	
T_J	Junction Temperature			-65~175	°C
T_{stg}	Storage Temperature Range			-65~200	°C

THERMAL CHARACTERISTICS

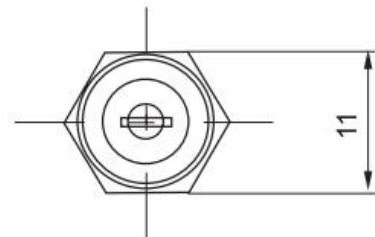
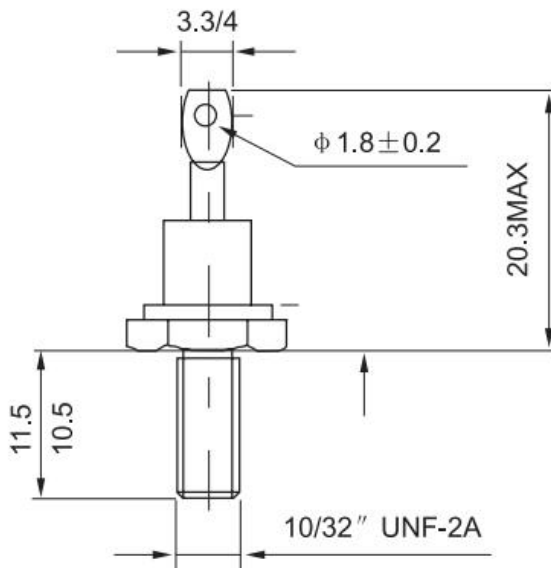
SYMBOL	PARAMETER	MAX	UNIT
R _{th j-c}	Thermal Resistance, Junction to Case	1.6	°C/W

ELECTRICAL CHARACTERISTICS

SYMBOL	PARAMETER	CONDITIONS	MAX	UNIT
V _F	Forward Voltage drop	I _F = 50A, T _J = 25°C, t _p =400µs	0.77	V

PACKAGE OUTLINE

Dimensions in mm (1mm = 0.0394")



For metric devices: M5 × 0.8

Case Style DO-4