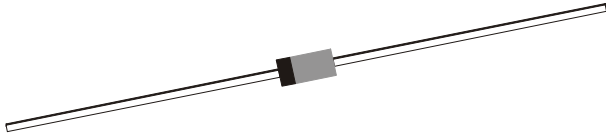


SILICON ZENER DIODES

**1N746 to 1N759
DO-35 400mW**



Hermetically Sealed Glass Package Zener Diodes

ABSOLUTE MAXIMUM RATINGS

DESCRIPTION	SYMBOL	VALUE	UNIT
Zener Voltage	ZV	3.3 to 12	V
D C Power Dissipation	PD	400	mW
Derating Above 50 deg C		3.2	mW/deg C
Operating & Storage Junction Temperature Range	Tj,Tstg	-65 to +175	deg C

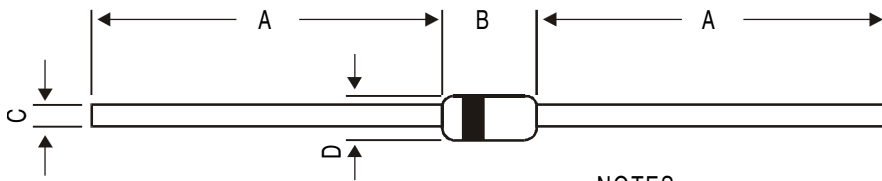
ELECTRICAL CHARACTERISTICS (Ta=25 deg C Unless otherwise Specified , VF <1.5V @ 200mA)

Device Type# (1)	Nominal* Zener Voltage VZ @ IZT (V)	Zener Test Current IZT (mA)	Maximum Zener Impedance Zzt @ IZT (Ohms)	Maximum Reverse Current @ 25 deg C max (uA)	Maximum Reverse Current @ +150 deg C max (uA)	VR (V)	Maximum Zener Current IZM (mA)	Typ Temp Coeff of Zener Voltage *vz (% deg C)
1N746	3.3	20	28	10	30	1.0	110	-0.066
1N747	3.6	20	24	10	30	1.0	100	-0.058
1N748	3.9	20	23	10	30	1.0	95	-0.046
1N749	4.3	20	22	2.0	30	1.0	85	-0.033
1N750	4.7	20	19	2.0	30	1.0	75	-0.015
1N751	5.1	20	17	1.0	20	1.0	70	+0.010
1N752	5.6	20	11	1.0	20	1.0	65	+0.030
1N753	6.2	20	7	0.1	20	1.0	60	+0.049
1N754	6.8	20	5	0.1	20	1.0	55	+0.053
1N755	7.5	20	6	0.1	20	1.0	50	+0.057
1N756	8.2	20	8	0.1	20	1.0	45	+0.060
1N757	9.1	20	10	0.1	20	1.0	40	+0.061
1N758	10	20	17	0.1	20	1.0	35	+0.062
1N759	12	20	30	0.1	20	1.0	30	+0.062

Note(1) :- No Suffix +-10%
Suffix A +- 5%

* Pulse Condition : 20ms <tp 50ms, Duty Cycle<2%

DO-35 Glass Axial Package

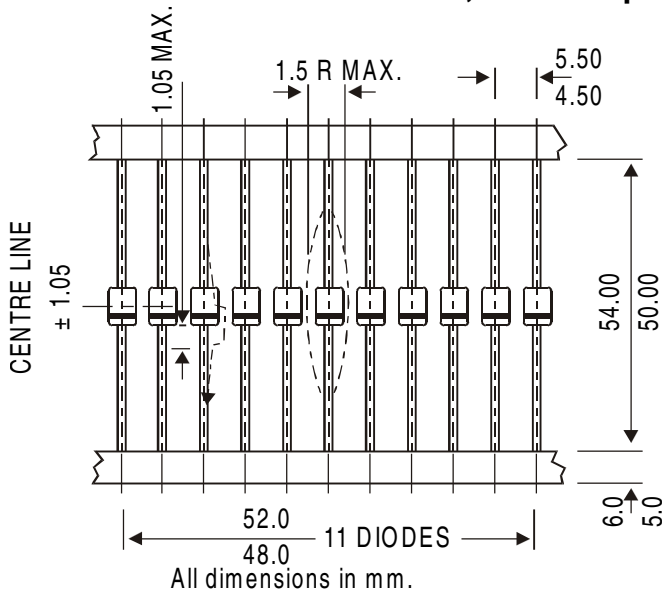


DIM	MIN	MAX
A	25.40	—
B	3.03	4.44
C	0.46	0.56
D	1.52	2.29

NOTES

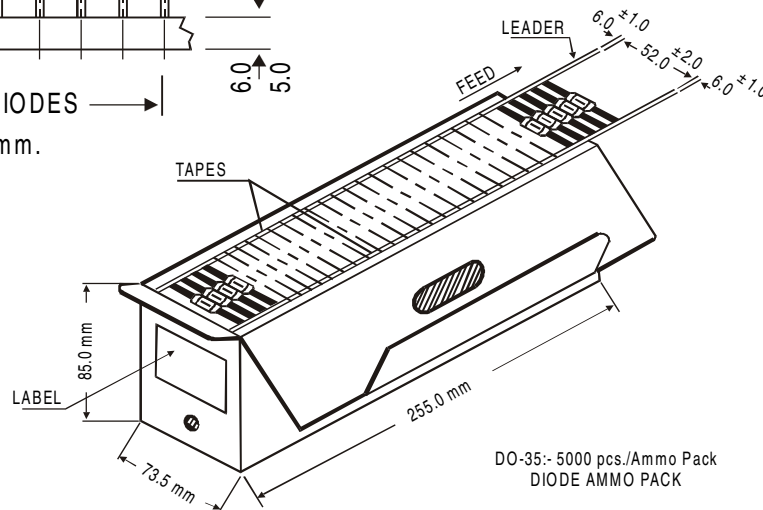
1. Cathode is marked by Band.
2. All dimensions are in mm.

DO-35, 52mm Taping Specification



52 mm Taping Specification

1. T & A indicates Axial Tape & Ammo packing (52 mm Tape Spacing).
2. 300 mm (min) leader tape on every spool.
3. No. of empty places allowed 0.25% without consecutive empty places.
4. Ends of leads shall preferably not protrude beyond the tapes.
5. Components shall be held sufficiently in the tape or tapes so that they can not come free in normal handling.



DO-35:- 5000 pcs./Ammo Pack
DIODE AMMO PACK

On request also available in 26 mm Tape and Ammo Pack

Packing Detail

PACKAGE	STANDARD PACK		INNER CARTON BOX		OUTER CARTON BOX		
	Details	Net Weight/Qty	Size	Qty	Size	Qty	Gr Wt
DO-35 T&A	5K/ammo box	0.88 kg/5K pcs	10" x 3.5" x 3.5"	5.0K	12.7" x 12.7" x 20"	125.0K	25 kgs