

BAS40 series; 1PSxxSB4x series

General-purpose Schottky diodes

Rev. 07 — 12 May 2006

Product data sheet

1. Product profile

1.1 General description

General-purpose Schottky diodes in small Surface-Mounted Device (SMD) plastic packages.

Table 1. Product overview

| Type number | Package | | Configuration |
|-------------|---------|-------|---|
| | Philips | JEITA | |
| 1PS70SB40 | SOT323 | SC-70 | single diode |
| 1PS76SB40 | SOD323 | SC-76 | single diode |
| 1PS79SB40 | SOD523 | SC-79 | single diode |
| BAS40 | SOT23 | - | single diode |
| BAS40H | SOD123F | - | single diode |
| BAS40L | SOD882 | - | single diode |
| BAS40W | SOT323 | SC-70 | single diode |
| 1PS70SB44 | SOT323 | SC-70 | dual series |
| BAS40-04 | SOT23 | - | dual series |
| BAS40-04W | SOT323 | SC-70 | dual series |
| 1PS70SB45 | SOT323 | SC-70 | dual common cathode |
| 1PS75SB45 | SOT416 | SC-75 | dual common cathode |
| BAS40-05 | SOT23 | - | dual common cathode |
| BAS40-05W | SOT323 | SC-70 | dual common cathode |
| 1PS70SB46 | SOT323 | SC-70 | dual common anode |
| BAS40-06 | SOT23 | - | dual common anode |
| BAS40-06W | SOT323 | SC-70 | dual common anode |
| BAS40-07 | SOT143B | - | dual isolated |
| BAS40-07V | SOT666 | - | dual isolated |
| BAS40-05V | SOT666 | - | quadruple common cathode/ common cathode |
| 1PS88SB48 | SOT363 | SC-88 | quadruple common cathode/ common cathode |
| BAS40XY | SOT363 | SC-88 | quadruple; 2 series |

PHILIPS

1.2 Features

- High switching speed
 - High breakdown voltage
- Low leakage current
 - Low capacitance

1.3 Applications

- Ultra high-speed switching
- Voltage clamping

1.4 Quick reference data

Table 2. Quick reference data

| Symbol | Parameter | Conditions | Min | Typ | Max | Unit |
|------------------|-----------------|----------------------|-----|-----|-----|------|
| Per diode | | | | | | |
| I_F | forward current | | - | - | 120 | mA |
| V_F | forward voltage | $I_F = 1 \text{ mA}$ | [1] | - | 380 | mV |
| V_R | reverse voltage | | - | - | 40 | V |

[1] Pulse test: $t_p \leq 300 \mu\text{s}$; $\delta \leq 0.02$.

2. Pinning information

Table 3. Pinning

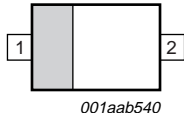
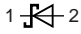

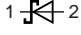
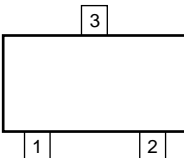
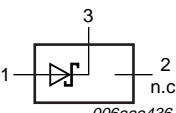
| Pin | Description | Conditions | Simplified outline | Symbol |
|-------------------------------------|---------------|------------|---|--|
| BAS40H; 1PS76SB40; 1PS79SB40 | | | | |
| 1 | cathode | [1] |  <p>001aab540</p> |  <p>sym001</p> |
| 2 | anode | | | |
| BAS40L | | | | |
| 1 | cathode | [1] |  <p>Transparent top view</p> |  <p>sym001</p> |
| 2 | anode | | | |
| BAS40; BAS40W; 1PS70SB40 | | | | |
| 1 | anode | |  <p>006aaa144</p> |  <p>006aaa436</p> |
| 2 | not connected | | | |
| 3 | cathode | | | |

Table 3. Pinning ...continued

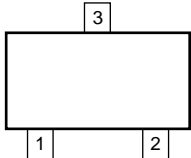
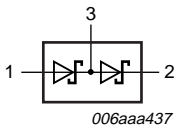
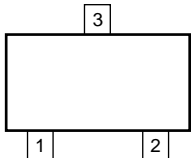
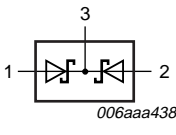
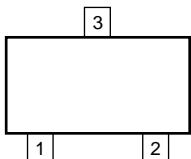
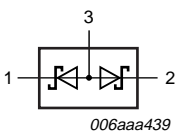
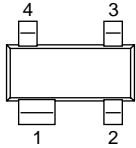
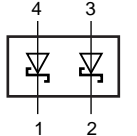
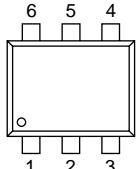
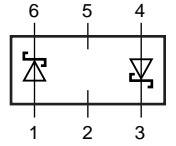
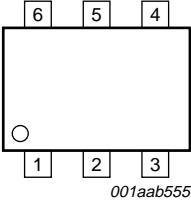
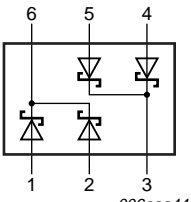
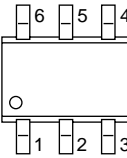
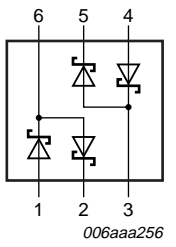
| Pin | Description | Simplified outline | Symbol |
|--|---|--|--|
| BAS40-04; BAS40-04W; 1PS70SB44 | | | |
| 1 | anode (diode 1) |  <p>006aaa144</p> |  <p>006aaa437</p> |
| 2 | cathode (diode 2) | | |
| 3 | cathode (diode 1), anode (diode 2) | | |
| BAS40-05; BAS40-05W; 1PS70SB45; 1PS75SB45 | | | |
| 1 | anode (diode 1) |  <p>006aaa144</p> |  <p>006aaa438</p> |
| 2 | anode (diode 2) | | |
| 3 | cathode (diode 1), cathode (diode 2) | | |
| BAS40-06; BAS40-06W; 1PS70SB46 | | | |
| 1 | cathode (diode 1) |  <p>006aaa144</p> |  <p>006aaa439</p> |
| 2 | cathode (diode 2) | | |
| 3 | anode (diode 1), anode (diode 2) | | |
| BAS40-07 | | | |
| 1 | cathode (diode 1) |  |  <p>006aaa434</p> |
| 2 | cathode (diode 2) | | |
| 3 | anode (diode 2) | | |
| 4 | anode (diode 1) | | |
| BAS40-07V | | | |
| 1 | anode (diode 1) |  |  <p>006aaa440</p> |
| 2 | not connected | | |
| 3 | cathode (diode 2) | | |
| 4 | anode (diode 2) | | |
| 5 | not connected | | |
| 6 | cathode (diode 1) | | |

Table 3. Pinning ...continued

| Pin | Description | Simplified outline | Symbol |
|-----------------------------|---|--|---|
| BAS40-05V; 1PS88SB48 | | | |
| 1 | anode (diode 1) |  <p>001aab555</p> |  <p>006aaa446</p> |
| 2 | anode (diode 2) | | |
| 3 | cathode (diode 3), cathode (diode 4) | | |
| 4 | anode (diode 3) | | |
| 5 | anode (diode 4) | | |
| 6 | cathode (diode 1), cathode (diode 2) | | |
| BAS40XY | | | |
| 1 | anode (diode 1) |  |  <p>006aaa256</p> |
| 2 | cathode (diode 2) | | |
| 3 | anode (diode 3), cathode (diode 4) | | |
| 4 | anode (diode 4) | | |
| 5 | cathode (diode 3) | | |
| 6 | cathode (diode 1), anode (diode 2) | | |

[1] The marking bar indicates the cathode.

3. Ordering information

Table 4. Ordering information

| Type number | Package | | Version |
|-------------|---------|---|---------|
| | Name | Description | |
| 1PS70SB40 | SC-70 | plastic surface-mounted package; 3 leads | SOT323 |
| 1PS76SB40 | SC-76 | plastic surface-mounted package; 2 leads | SOD323 |
| 1PS79SB40 | SC-79 | plastic surface-mounted package; 2 leads | SOD523 |
| BAS40 | - | plastic surface-mounted package; 3 leads | SOT23 |
| BAS40H | - | plastic surface-mounted package; 2 leads | SOD123F |
| BAS40L | - | leadless ultra small plastic package; 2 terminals; body 1.0 × 0.6 × 0.5 mm | SOD882 |
| BAS40W | SC-70 | plastic surface-mounted package; 3 leads | SOT323 |
| 1PS70SB44 | SC-70 | plastic surface-mounted package; 3 leads | SOT323 |
| BAS40-04 | - | plastic surface-mounted package; 3 leads | SOT23 |
| BAS40-04W | SC-70 | plastic surface-mounted package; 3 leads | SOT323 |
| 1PS70SB45 | SC-70 | plastic surface-mounted package; 3 leads | SOT323 |
| 1PS75SB45 | SC-75 | plastic surface-mounted package; 3 leads | SOT416 |
| BAS40-05 | - | plastic surface-mounted package; 3 leads | SOT23 |
| BAS40-05W | SC-70 | plastic surface-mounted package; 3 leads | SOT323 |
| 1PS70SB46 | SC-70 | plastic surface-mounted package; 3 leads | SOT323 |
| BAS40-06 | - | plastic surface-mounted package; 3 leads | SOT23 |
| BAS40-06W | SC-70 | plastic surface-mounted package; 3 leads | SOT323 |
| BAS40-07 | - | plastic surface-mounted package; 4 leads | SOT143B |
| BAS40-07V | - | plastic surface-mounted package; 6 leads | SOT666 |
| BAS40-05V | - | plastic surface-mounted package; 6 leads | SOT666 |
| 1PS88SB48 | SC-88 | plastic surface-mounted package; 6 leads | SOT363 |
| BAS40XY | SC-88 | plastic surface-mounted package; 6 leads | SOT363 |

4. Marking

Table 5. Marking codes

| Type number | Marking code ^[1] | Type number | Marking code ^[1] |
|-------------|-----------------------------|-------------|-----------------------------|
| 1PS70SB40 | 6*3 | 1PS75SB45 | 45 |
| 1PS76SB40 | S4 | BAS40-05 | 45* |
| 1PS79SB40 | T | BAS40-05W | 65* |
| BAS40 | 43* | 1PS70SB46 | 6*6 |
| BAS40H | AJ | BAS40-06 | 46* |
| BAS40L | S6 | BAS40-06W | 66* |
| BAS40W | 63* | BAS40-07 | 47* |
| 1PS70SB44 | 6*4 | BAS40-07V | 67 |
| BAS40-04 | 44* | BAS40-05V | 65 |
| BAS40-04W | 64* | 1PS88SB48 | 8*5 |
| 1PS70SB45 | 6*5 | BAS40XY | 40* |

- [1] * = -: made in Hong Kong
 * = p: made in Hong Kong
 * = t: made in Malaysia
 * = W: made in China

5. Limiting values

Table 6. Limiting values

In accordance with the Absolute Maximum Rating System (IEC 60134).

| Symbol | Parameter | Conditions | Min | Max | Unit |
|------------------|-------------------------------------|---|------------------|------|------|
| Per diode | | | | | |
| V_R | reverse voltage | | - | 40 | V |
| I_F | forward current | | - | 120 | mA |
| I_{FRM} | repetitive peak forward current | $t_p \leq 1 \text{ s}; \delta \leq 0.5$ | - | 120 | mA |
| I_{FSM} | non-repetitive peak forward current | $t_p \leq 10 \text{ ms}$ | ^[1] - | 200 | mA |
| T_j | junction temperature | | - | 150 | °C |
| T_{amb} | ambient temperature | | -65 | +150 | °C |
| T_{stg} | storage temperature | | -65 | +150 | °C |

- [1] $T_j = 25 \text{ °C}$ prior to surge.

6. Thermal characteristics

Table 7. Thermal characteristics

| Symbol | Parameter | Conditions | Min | Typ | Max | Unit |
|-------------------|--|-------------|-----|-----|-----|------|
| Per device | | | | | | |
| $R_{th(j-a)}$ | thermal resistance from junction to ambient | in free air | [1] | | | |
| | SOT23 | | - | - | 500 | K/W |
| | SOT143B | | - | - | 500 | K/W |
| | SOT363 (1PS88SB48) | | - | - | 416 | K/W |
| | SOT416 | | - | - | 833 | K/W |
| | SOT666 (BAS40-05V) | | [2] | - | 225 | K/W |
| | SOT666 (BAS40-07V) | | [2] | - | 416 | K/W |
| | SOD123F | | [2] | - | 330 | K/W |
| | SOD323 | | - | - | 450 | K/W |
| | SOD523 | | [2] | - | 450 | K/W |
| | SOD882 | | [2] | - | 500 | K/W |
| SOT323 | | - | - | 625 | K/W | |
| $R_{th(j-sp)}$ | thermal resistance from junction to solder point | | | | | |
| | SOT363 (BAS40XY) | | [3] | - | 260 | K/W |

[1] Device mounted on an FR4 Printed-Circuit Board (PCB), single-sided copper, tin-plated and standard footprint.

[2] Reflow soldering is the only recommended soldering method.

[3] Soldering point at pins 2, 3, 5 and 6.

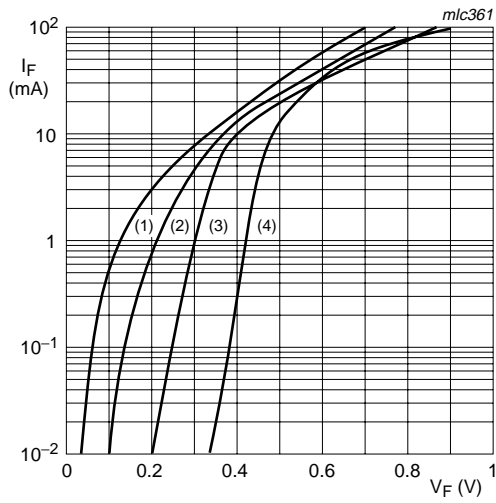
7. Characteristics

Table 8. Characteristics

$T_{amb} = 25\text{ }^{\circ}\text{C}$ unless otherwise specified.

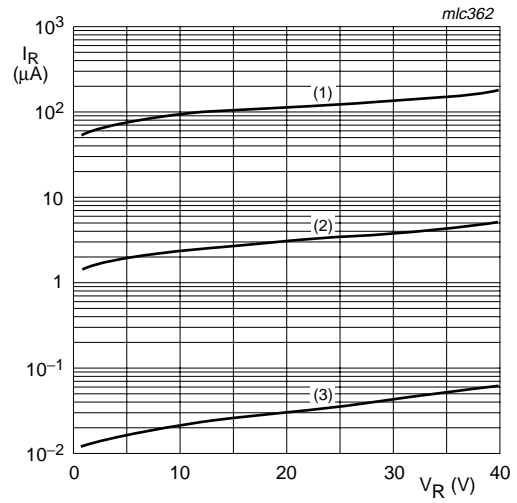
| Symbol | Parameter | Conditions | Min | Typ | Max | Unit |
|------------------|-------------------|--------------------------------------|-----|-----|-----|---------------|
| Per diode | | | | | | |
| V_F | forward voltage | | [1] | | | |
| | | $I_F = 1\text{ mA}$ | - | - | 380 | mV |
| | | $I_F = 10\text{ mA}$ | - | - | 500 | mV |
| | | $I_F = 40\text{ mA}$ | - | - | 1 | V |
| I_R | reverse current | $V_R = 30\text{ V}$ | - | - | 1 | μA |
| | | $V_R = 40\text{ V}$ | - | - | 10 | μA |
| C_d | diode capacitance | $V_R = 0\text{ V}; f = 1\text{ MHz}$ | - | - | 5 | pF |

[1] Pulse test: $t_p \leq 300\text{ }\mu\text{s}$; $\delta \leq 0.02$.



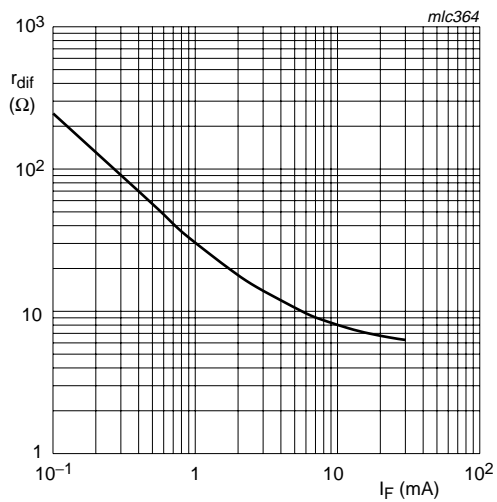
- (1) $T_{amb} = 125\text{ }^{\circ}\text{C}$
- (2) $T_{amb} = 85\text{ }^{\circ}\text{C}$
- (3) $T_{amb} = 25\text{ }^{\circ}\text{C}$
- (4) $T_{amb} = -40\text{ }^{\circ}\text{C}$

Fig 1. Forward current as a function of forward voltage; typical values



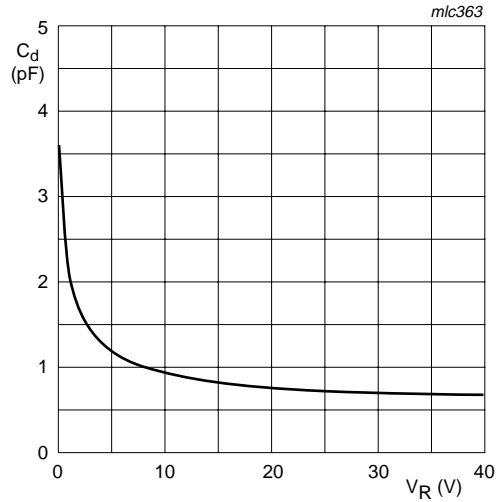
- (1) $T_{amb} = 125\text{ }^{\circ}\text{C}$
- (2) $T_{amb} = 85\text{ }^{\circ}\text{C}$
- (3) $T_{amb} = 25\text{ }^{\circ}\text{C}$

Fig 2. Reverse current as a function of reverse voltage; typical values



$f = 10\text{ kHz}$

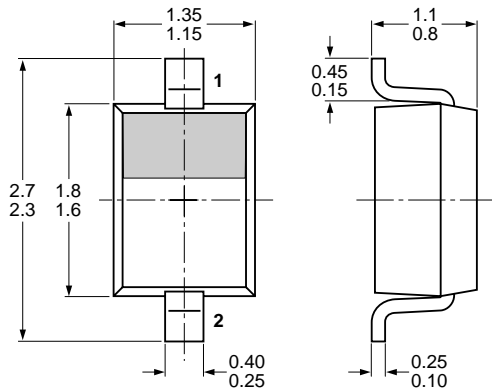
Fig 3. Differential resistance as a function of forward current; typical values



$T_{amb} = 25\text{ }^{\circ}\text{C}; f = 1\text{ MHz}$

Fig 4. Diode capacitance as a function of reverse voltage; typical values

8. Package outline



Dimensions in mm

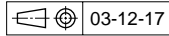
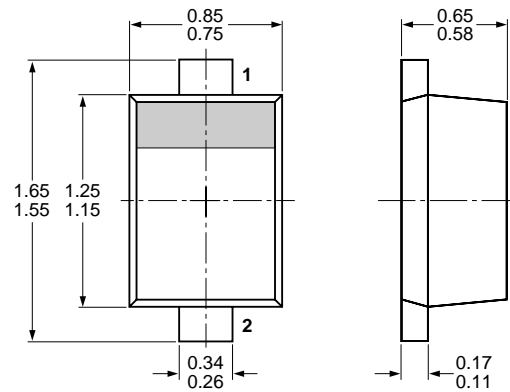


Fig 5. Package outline SOD323 (SC-76)



Dimensions in mm

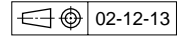
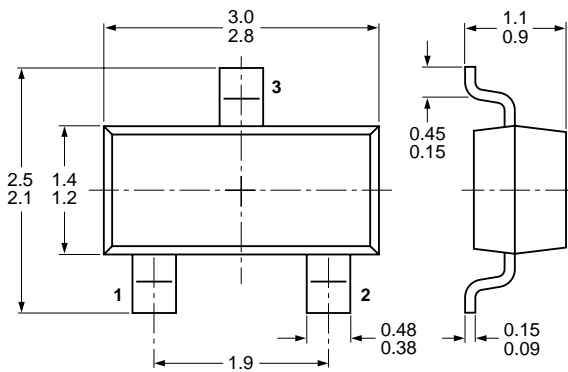


Fig 6. Package outline SOD523 (SC-79)



Dimensions in mm

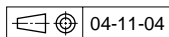
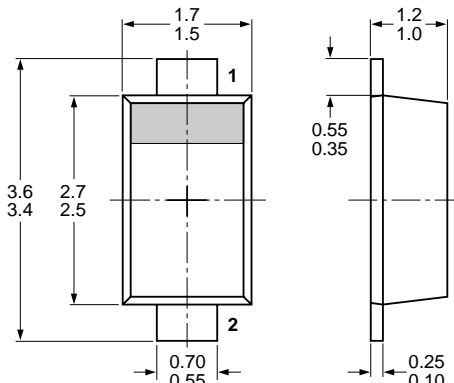


Fig 7. Package outline SOT23 (TO-236AB)



Dimensions in mm

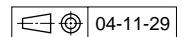
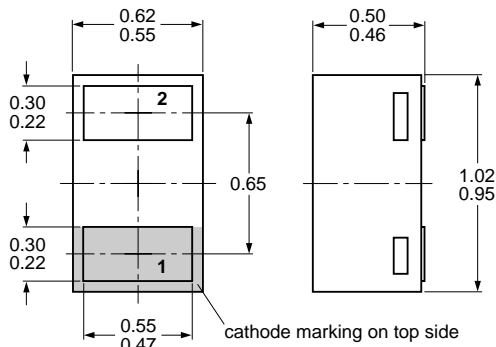


Fig 8. Package outline SOD123F



Dimensions in mm

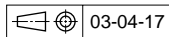
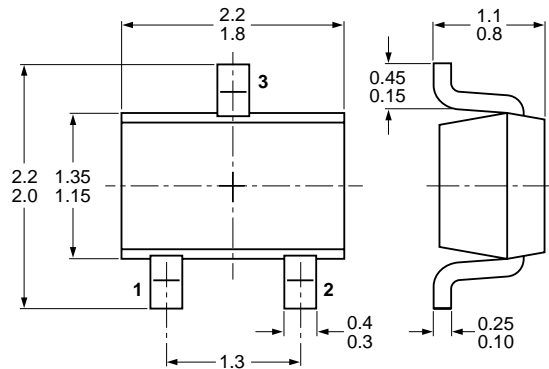


Fig 9. Package outline SOD882



Dimensions in mm

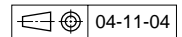
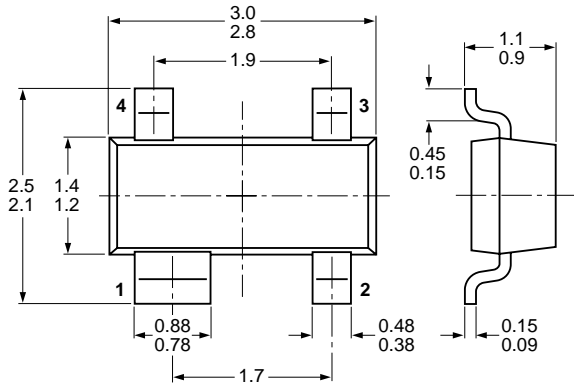


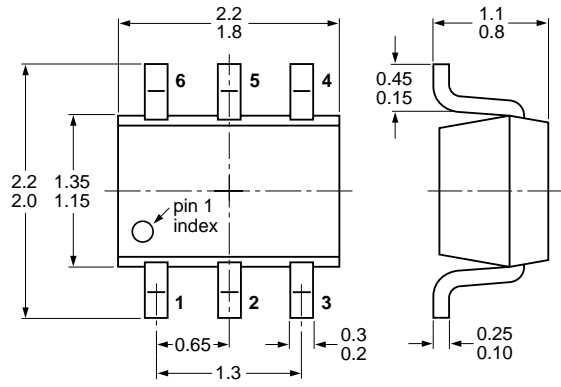
Fig 10. Package outline SOT323 (SC-70)



Dimensions in mm



Fig 11. Package outline SOT143B



Dimensions in mm

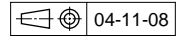
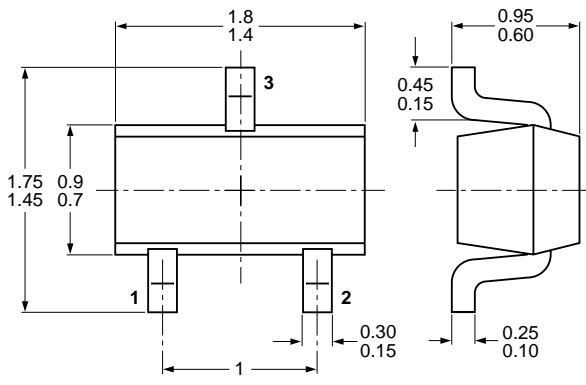


Fig 12. Package outline SOT363 (SC-88)



Dimensions in mm

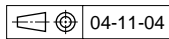
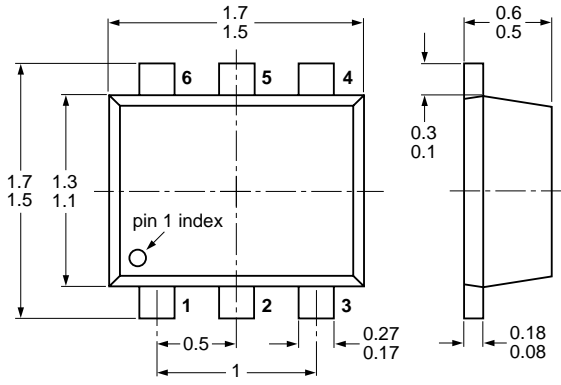


Fig 13. Package outline SOT416 (SC-75)



Dimensions in mm

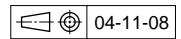


Fig 14. Package outline SOT666

9. Packing information

Table 9. Packing methods

The indicated -xxx are the last three digits of the 12NC ordering code.^[1]

| Type number | Package | Description | Packing quantity | | | |
|-------------|---------|---|------------------|------|------|-------|
| | | | 3000 | 4000 | 8000 | 10000 |
| 1PS70SB40 | SOT323 | 4 mm pitch, 8 mm tape and reel | -115 | - | - | -135 |
| 1PS76SB40 | SOD323 | 4 mm pitch, 8 mm tape and reel | -115 | - | - | -135 |
| 1PS79SB40 | SOD523 | 2 mm pitch, 8 mm tape and reel | - | - | -315 | - |
| | | 4 mm pitch, 8 mm tape and reel | -115 | - | - | -135 |
| BAS40 | SOT23 | 4 mm pitch, 8 mm tape and reel | -215 | - | - | -235 |
| BAS40H | SOD123F | 4 mm pitch, 8 mm tape and reel | -115 | - | - | -135 |
| BAS40L | SOD882 | 2 mm pitch, 8 mm tape and reel | - | - | - | -315 |
| BAS40W | SOT323 | 4 mm pitch, 8 mm tape and reel | -115 | - | - | -135 |
| 1PS70SB44 | SOT323 | 4 mm pitch, 8 mm tape and reel | -115 | - | - | -135 |
| BAS40-04 | SOT23 | 4 mm pitch, 8 mm tape and reel | -215 | - | - | -235 |
| BAS40-04W | SOT323 | 4 mm pitch, 8 mm tape and reel | -115 | - | - | -135 |
| 1PS70SB45 | SOT323 | 4 mm pitch, 8 mm tape and reel | -115 | - | - | -135 |
| 1PS75SB45 | SOT416 | 4 mm pitch, 8 mm tape and reel | -115 | - | - | -135 |
| BAS40-05 | SOT23 | 4 mm pitch, 8 mm tape and reel | -215 | - | - | -235 |
| BAS40-05W | SOT323 | 4 mm pitch, 8 mm tape and reel | -115 | - | - | -135 |
| 1PS70SB46 | SOT323 | 4 mm pitch, 8 mm tape and reel | -115 | - | - | -135 |
| BAS40-06 | SOT23 | 4 mm pitch, 8 mm tape and reel | -215 | - | - | -235 |
| BAS40-06W | SOT323 | 4 mm pitch, 8 mm tape and reel | -115 | - | - | -135 |
| BAS40-07 | SOT143B | 4 mm pitch, 8 mm tape and reel | -215 | - | - | -235 |
| BAS40-07V | SOT666 | 2 mm pitch, 8 mm tape and reel | - | - | -315 | - |
| | | 4 mm pitch, 8 mm tape and reel | - | -115 | - | - |
| BAS40-05V | SOT666 | 2 mm pitch, 8 mm tape and reel | - | - | -315 | - |
| | | 4 mm pitch, 8 mm tape and reel | - | -115 | - | - |
| 1PS88SB48 | SOT363 | 4 mm pitch, 8 mm tape and reel; T1 ^[2] | -115 | - | - | -135 |
| | | 4 mm pitch, 8 mm tape and reel; T2 ^[3] | -125 | - | - | -165 |
| BAS40XY | SOT363 | 4 mm pitch, 8 mm tape and reel; T1 ^[2] | -115 | - | - | -135 |
| | | 4 mm pitch, 8 mm tape and reel; T2 ^[3] | -125 | - | - | -165 |

[1] For further information and the availability of packing methods, see [Section 13](#).

[2] T1: normal taping

[3] T2: reverse taping

10. Soldering

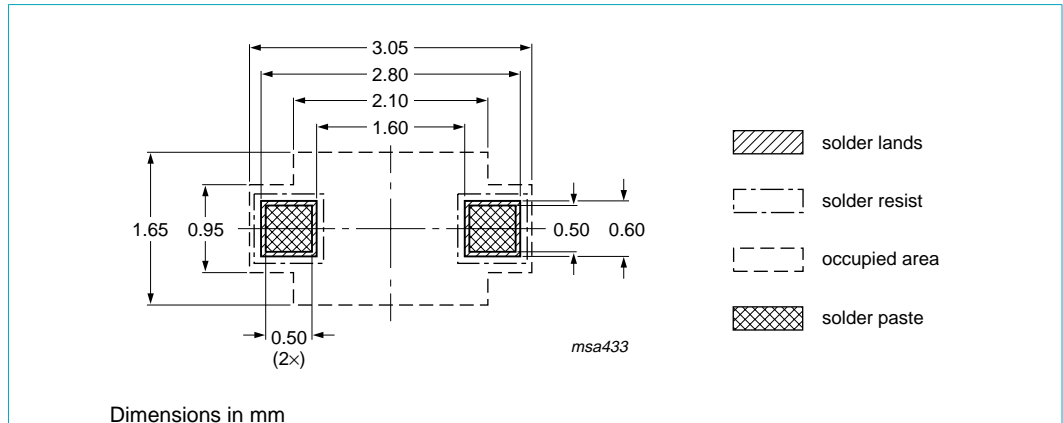


Fig 15. Reflow soldering footprint SOD323 (SC-76)

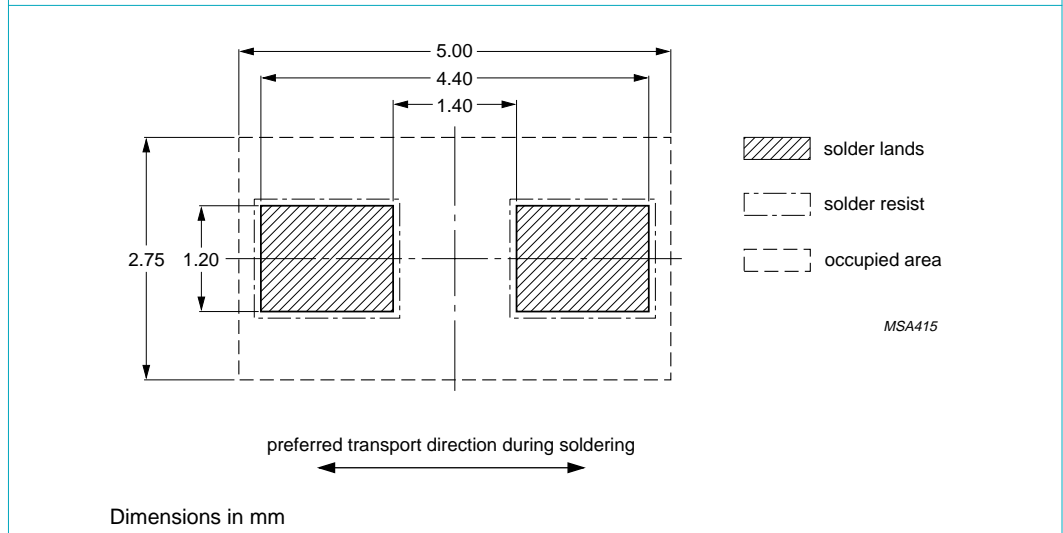
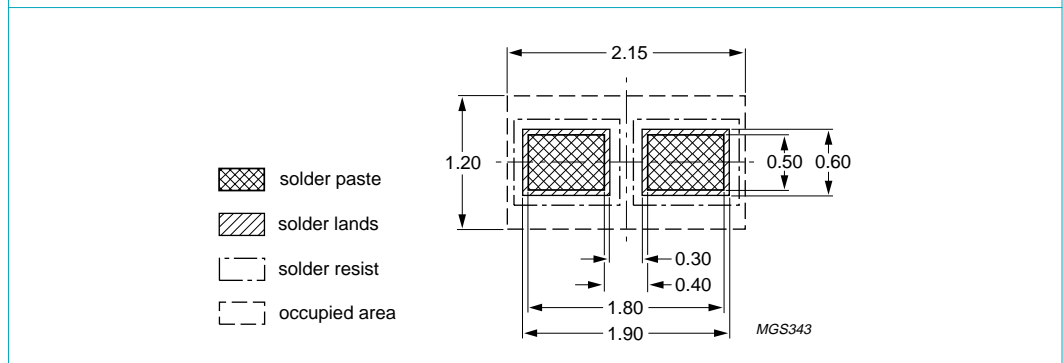


Fig 16. Wave soldering footprint SOD323 (SC-76)



Reflow soldering is the only recommended soldering method.

Fig 17. Reflow soldering footprint SOD523 (SC-79)

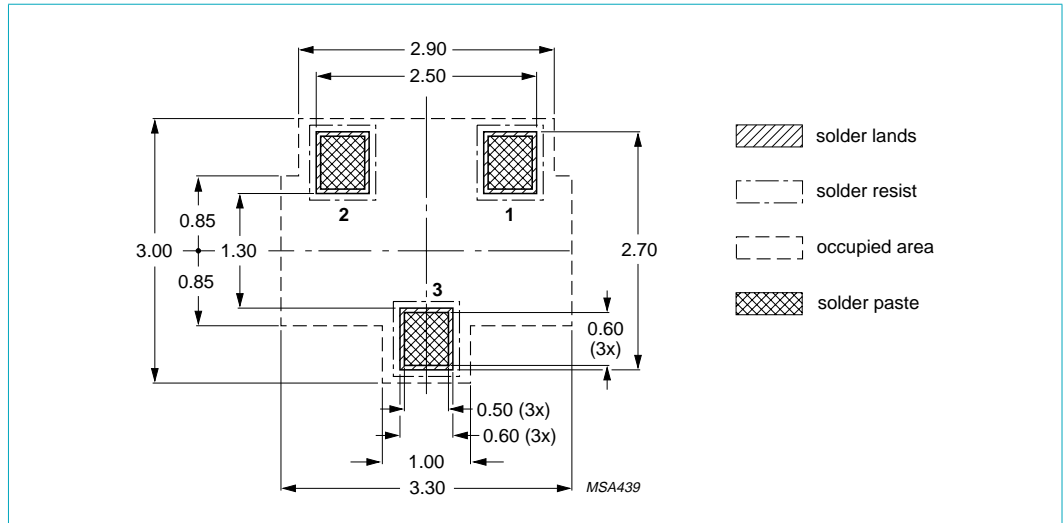


Fig 18. Reflow soldering footprint SOT23 (TO-236AB)

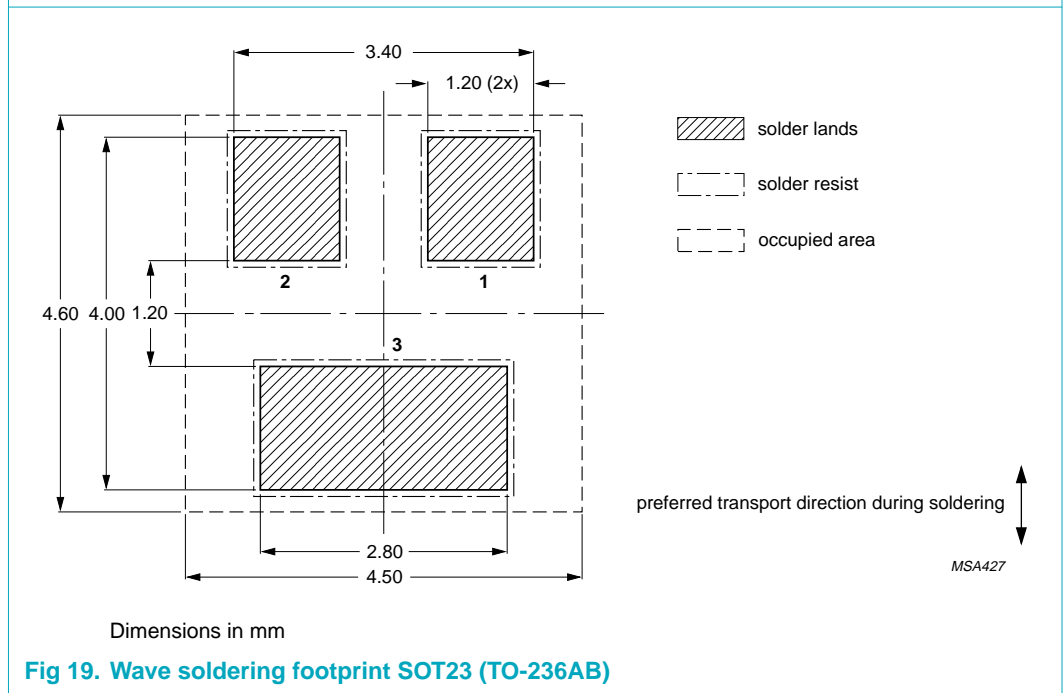
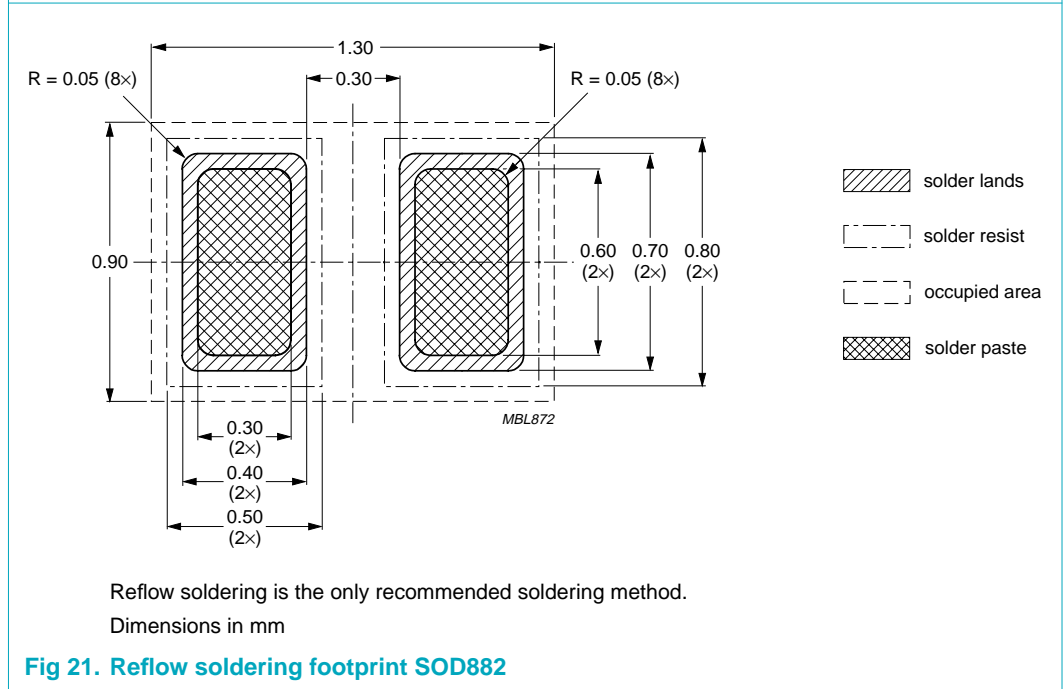
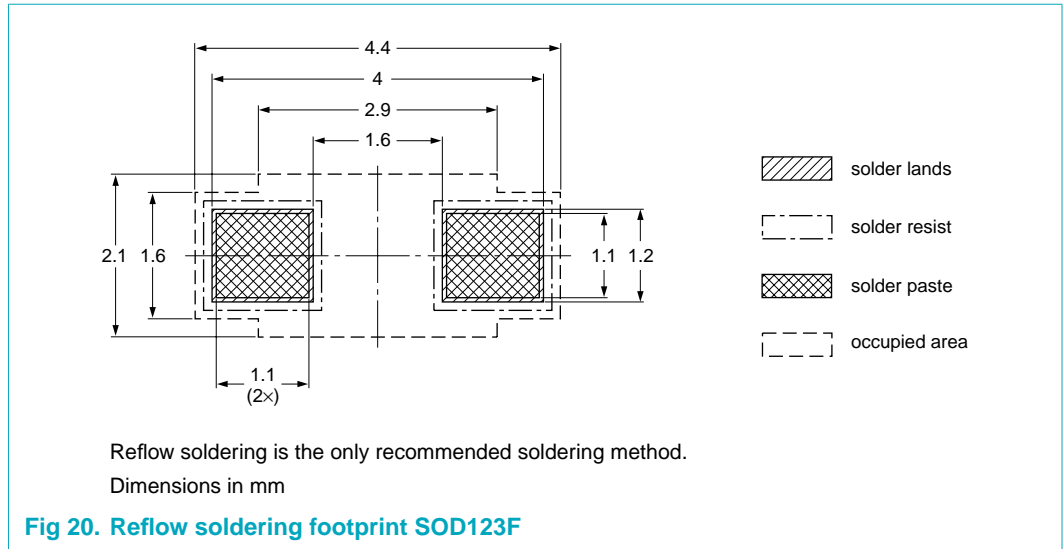
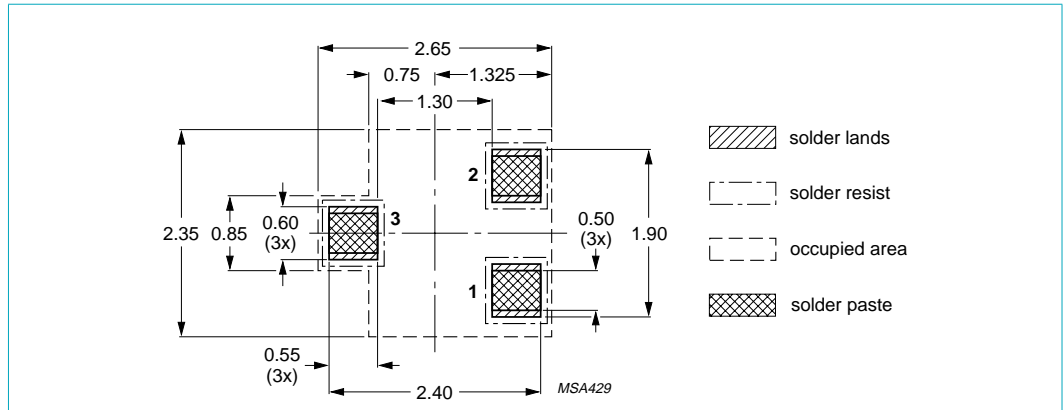


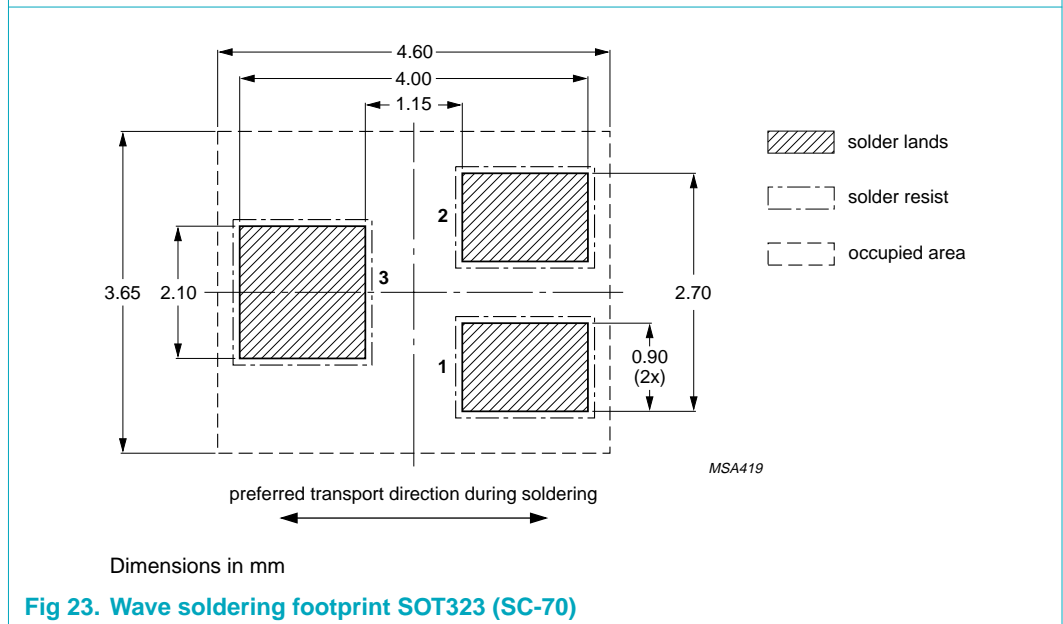
Fig 19. Wave soldering footprint SOT23 (TO-236AB)





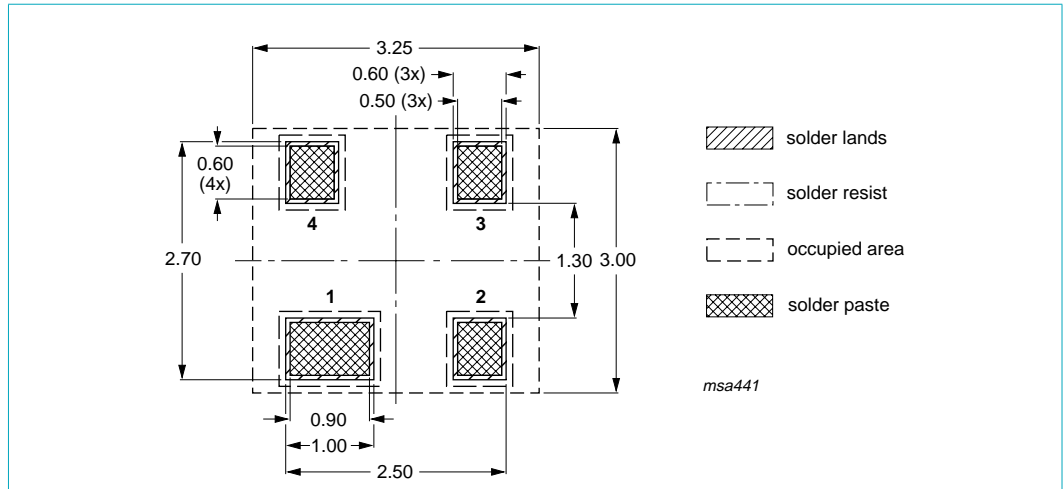
Dimensions in mm

Fig 22. Reflow soldering footprint SOT323 (SC-70)



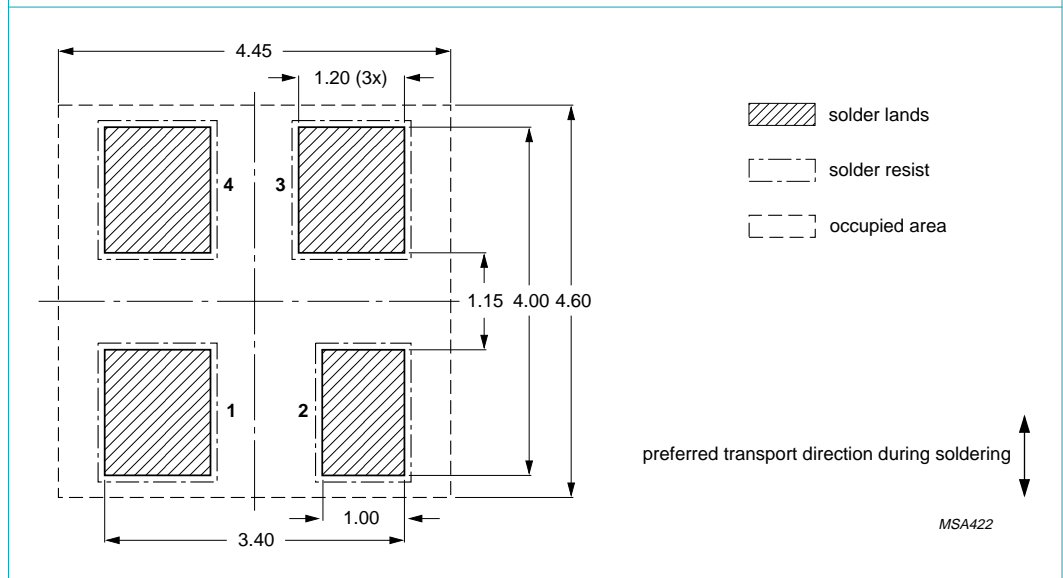
Dimensions in mm

Fig 23. Wave soldering footprint SOT323 (SC-70)



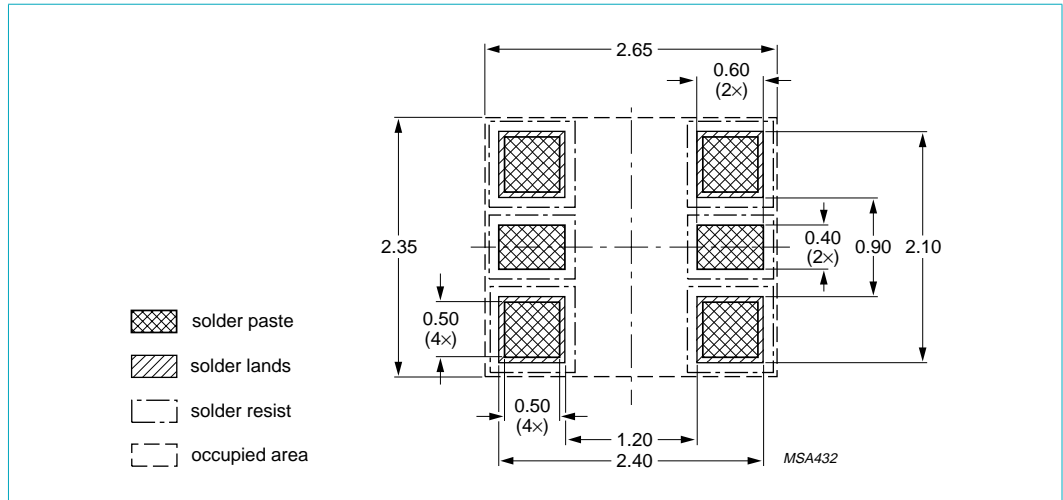
Dimensions in mm

Fig 24. Reflow soldering footprint SOT143B



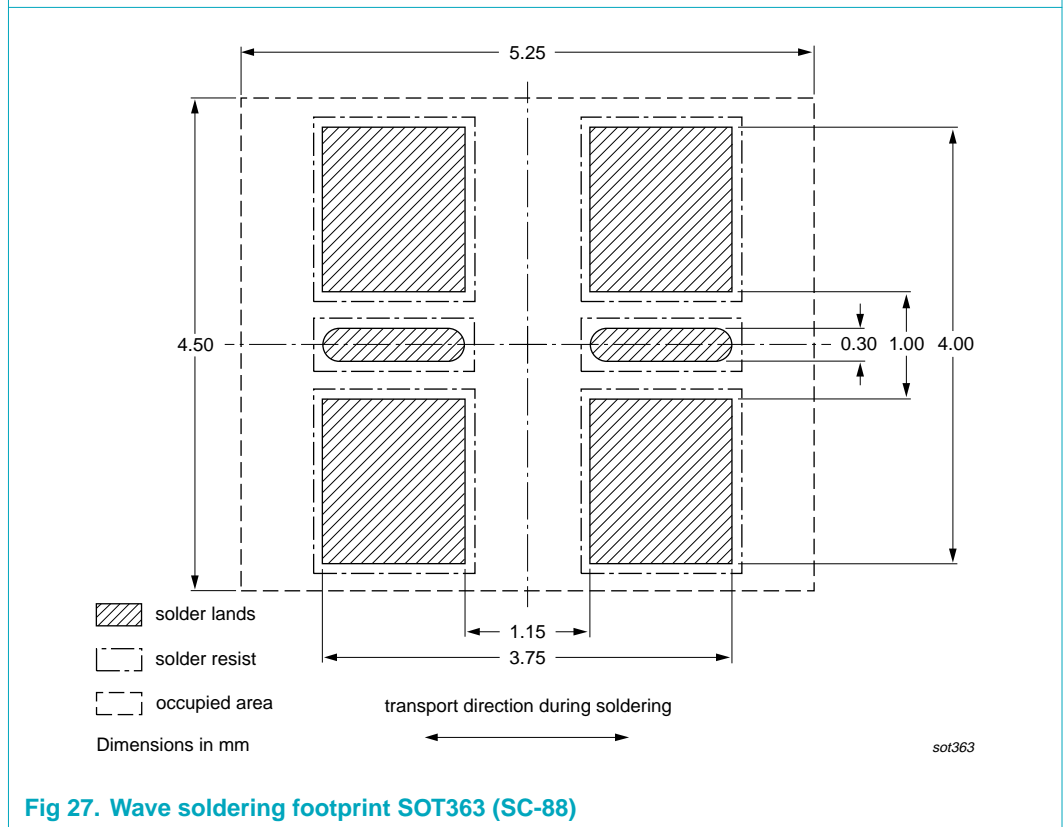
Dimensions in mm

Fig 25. Wave soldering footprint SOT143B



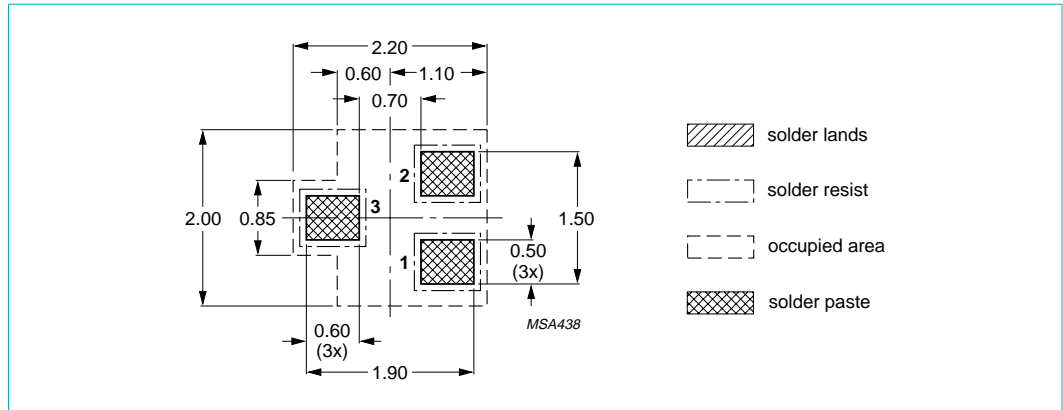
Dimensions in mm

Fig 26. Reflow soldering footprint SOT363 (SC-88)



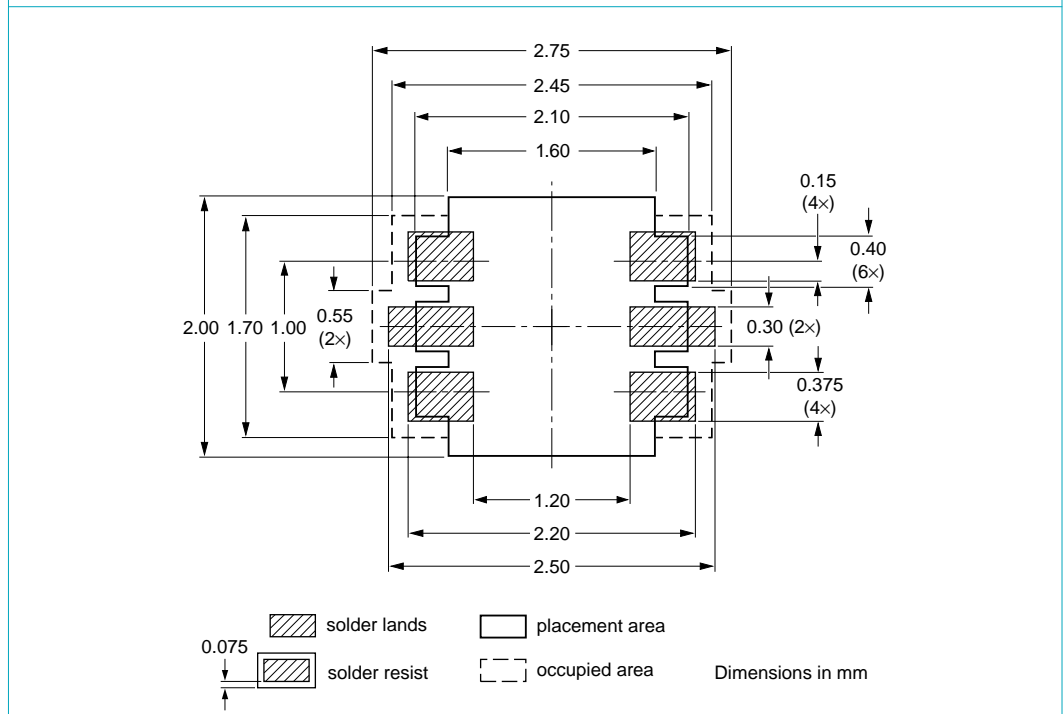
Dimensions in mm

Fig 27. Wave soldering footprint SOT363 (SC-88)



Dimensions in mm

Fig 28. Reflow soldering footprint SOT416



Reflow soldering is the only recommended soldering method.

Fig 29. Reflow soldering footprint SOT666

11. Revision history

Table 10. Revision history

| Document ID | Release date | Data sheet status | Change notice | Supersedes |
|-----------------------|---|-----------------------|---------------|---|
| BAS40_1PSXXSB4X_SER_7 | 20060512 | Product data sheet | - | BAS40_1PSXXSB4X_SER_6 |
| Modifications: | <ul style="list-style-type: none"> • Type number BAS40XY added • Table 9 "Packing methods": added packing method 2 mm pitch for SOD523 • Figure 27 "Wave soldering footprint SOT363 (SC-88)": amended • Figure 29 "Reflow soldering footprint SOT666": amended • Section 12 "Legal information": updated | | | |
| BAS40_1PSXXSB4X_SER_6 | 20050809 | Product data sheet | - | 1PS70SB40_3 1PS75SB45_2 1PS76SB40_3 1PS79SB40_2 1PS88SB48_3 BAS40H_1 BAS40L_1 BAS40-05V_1 BAS40-07V_1 BAS40W_3 BAS40_SERIES_5 |
| 1PS70SB40_3 | 19990426 | Product specification | - | 1PS70SB40_2 |
| 1PS75SB45_2 | 19990426 | Product specification | - | 1PS75SB45_1 |
| 1PS76SB40_3 | 20040126 | Product specification | - | 1PS76SB40_2 |
| 1PS79SB40_2 | 19990426 | Product specification | - | 1PS79SB40_1 |
| 1PS88SB48_3 | 20021107 | Product specification | - | 1PS88SB48_2 |
| BAS40H_1 | 20050425 | Product data sheet | - | - |
| BAS40L_1 | 20030520 | Product specification | - | - |
| BAS40-05V_1 | 20021121 | Product specification | - | - |
| BAS40-07V_1 | 20020327 | Product specification | - | - |
| BAS40W_3 | 19990426 | Product specification | - | BAS40W_2 |
| BAS40_SERIES_5 | 20011010 | Product specification | - | BAS40_4 |

12. Legal information

12.1 Data sheet status

| Document status ^{[1][2]} | Product status ^[3] | Definition |
|-----------------------------------|-------------------------------|---|
| Objective [short] data sheet | Development | This document contains data from the objective specification for product development. |
| Preliminary [short] data sheet | Qualification | This document contains data from the preliminary specification. |
| Product [short] data sheet | Production | This document contains the product specification. |

[1] Please consult the most recently issued document before initiating or completing a design.

[2] The term 'short data sheet' is explained in section "Definitions".

[3] The product status of device(s) described in this document may have changed since this document was published and may differ in case of multiple devices. The latest product status information is available on the Internet at URL <http://www.semiconductors.philips.com>.

12.2 Definitions

Draft — The document is a draft version only. The content is still under internal review and subject to formal approval, which may result in modifications or additions. Philips Semiconductors does not give any representations or warranties as to the accuracy or completeness of information included herein and shall have no liability for the consequences of use of such information.

Short data sheet — A short data sheet is an extract from a full data sheet with the same product type number(s) and title. A short data sheet is intended for quick reference only and should not be relied upon to contain detailed and full information. For detailed and full information see the relevant full data sheet, which is available on request via the local Philips Semiconductors sales office. In case of any inconsistency or conflict with the short data sheet, the full data sheet shall prevail.

12.3 Disclaimers

General — Information in this document is believed to be accurate and reliable. However, Philips Semiconductors does not give any representations or warranties, expressed or implied, as to the accuracy or completeness of such information and shall have no liability for the consequences of use of such information.

Right to make changes — Philips Semiconductors reserves the right to make changes to information published in this document, including without limitation specifications and product descriptions, at any time and without notice. This document supersedes and replaces all information supplied prior to the publication hereof.

Suitability for use — Philips Semiconductors products are not designed, authorized or warranted to be suitable for use in medical, military, aircraft, space or life support equipment, nor in applications where failure or

malfunction of a Philips Semiconductors product can reasonably be expected to result in personal injury, death or severe property or environmental damage. Philips Semiconductors accepts no liability for inclusion and/or use of Philips Semiconductors products in such equipment or applications and therefore such inclusion and/or use is for the customer's own risk.

Applications — Applications that are described herein for any of these products are for illustrative purposes only. Philips Semiconductors makes no representation or warranty that such applications will be suitable for the specified use without further testing or modification.

Limiting values — Stress above one or more limiting values (as defined in the Absolute Maximum Ratings System of IEC 60134) may cause permanent damage to the device. Limiting values are stress ratings only and operation of the device at these or any other conditions above those given in the Characteristics sections of this document is not implied. Exposure to limiting values for extended periods may affect device reliability.

Terms and conditions of sale — Philips Semiconductors products are sold subject to the general terms and conditions of commercial sale, as published at <http://www.semiconductors.philips.com/profile/terms>, including those pertaining to warranty, intellectual property rights infringement and limitation of liability, unless explicitly otherwise agreed to in writing by Philips Semiconductors. In case of any inconsistency or conflict between information in this document and such terms and conditions, the latter will prevail.

No offer to sell or license — Nothing in this document may be interpreted or construed as an offer to sell products that is open for acceptance or the grant, conveyance or implication of any license under any copyrights, patents or other industrial or intellectual property rights.

12.4 Trademarks

Notice: All referenced brands, product names, service names and trademarks are the property of their respective owners.

13. Contact information

For additional information, please visit: <http://www.semiconductors.philips.com>

For sales office addresses, send an email to: sales.addresses@www.semiconductors.philips.com

14. Contents

| | | |
|-----------|--------------------------------------|-----------|
| 1 | Product profile | 1 |
| 1.1 | General description | 1 |
| 1.2 | Features | 2 |
| 1.3 | Applications | 2 |
| 1.4 | Quick reference data | 2 |
| 2 | Pinning information | 2 |
| 3 | Ordering information | 5 |
| 4 | Marking | 6 |
| 5 | Limiting values | 6 |
| 6 | Thermal characteristics | 7 |
| 7 | Characteristics | 7 |
| 8 | Package outline | 9 |
| 9 | Packing information | 11 |
| 10 | Soldering | 12 |
| 11 | Revision history | 19 |
| 12 | Legal information | 20 |
| 12.1 | Data sheet status | 20 |
| 12.2 | Definitions | 20 |
| 12.3 | Disclaimers | 20 |
| 12.4 | Trademarks | 20 |
| 13 | Contact information | 20 |
| 14 | Contents | 21 |



Please be aware that important notices concerning this document and the product(s) described herein, have been included in section 'Legal information'.

© Koninklijke Philips Electronics N.V. 2006. All rights reserved.

For more information, please visit: <http://www.semiconductors.philips.com>.

For sales office addresses, email to: sales.addresses@www.semiconductors.philips.com.

Date of release: 12 May 2006

Document identifier: BAS40_1PSXXSB4X_SER_7