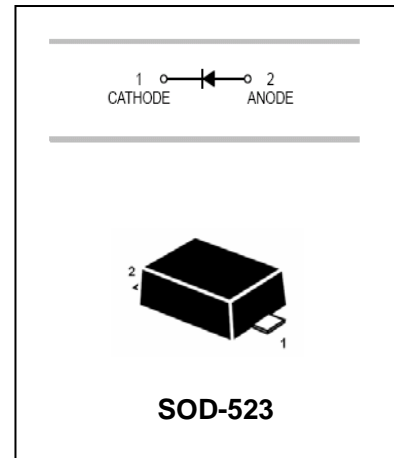


## High Speed Switching Diode

## 1SS388

### FEATURES

- Low forward voltage.
- Low reverse current.
- Small package.



### APPLICATIONS

- High-speed switching in surface mounted circuits.

### ORDERING INFORMATION

Type No.	Marking	Package Code
1SS388	S3	SOD-523

### MAXIMUM RATING @ Ta=25°C unless otherwise specified

Parameter	Symbol	Limits	Unit
Peak reverse voltage	$V_{RM}$	45	V
DC Reverse voltage	$V_R$	40	V
Continuous forward current	$I_F$	100	mA
Surge current	$I_{FSM}$	1	A
Total power dissipation	$P_{tot}$	150	mW
Junction temperature	$T_j$	125	°C
Storage temperature	$T_{stg}$	-55-125	°C

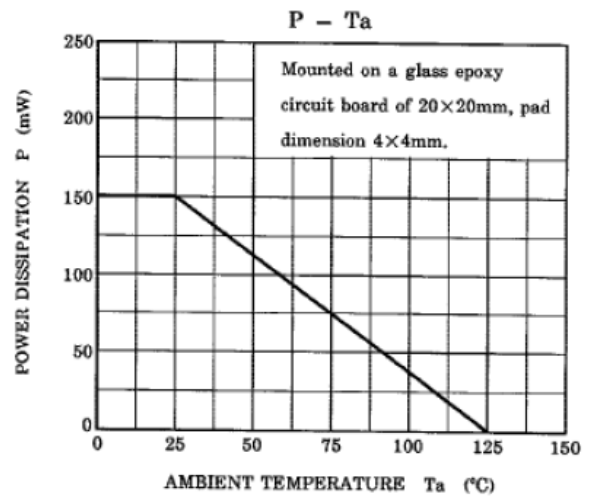
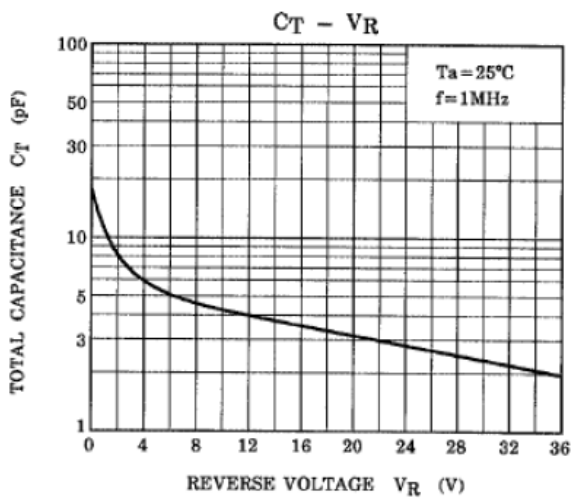
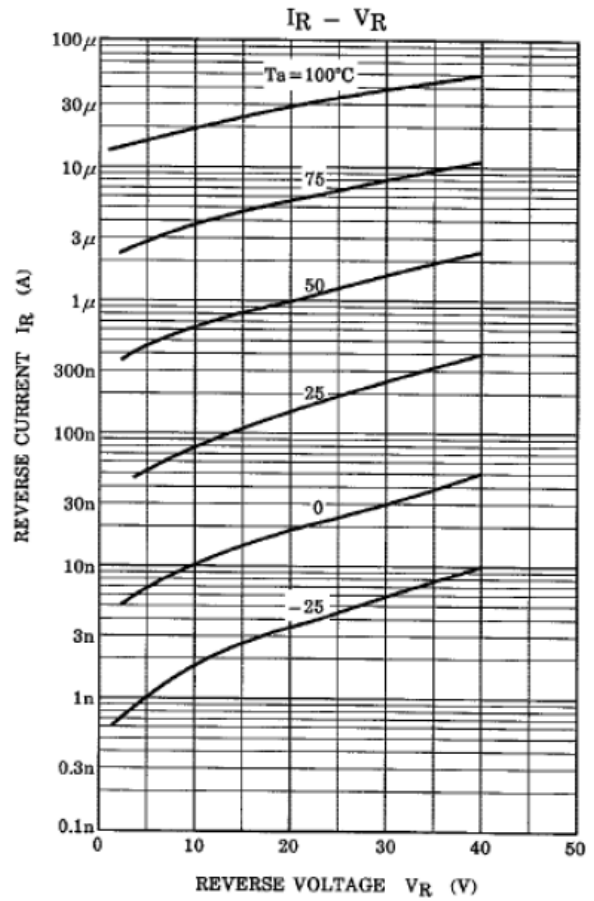
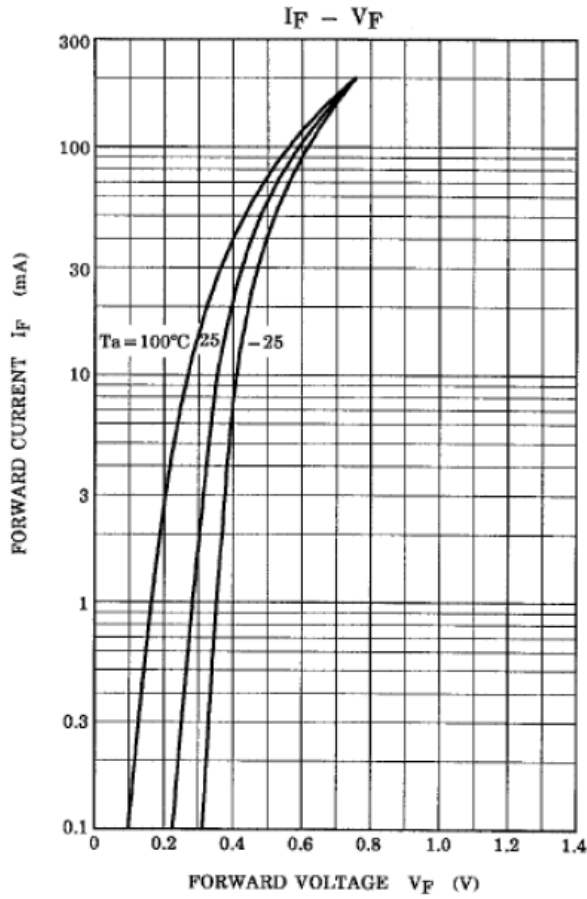
### ELECTRICAL CHARACTERISTICS @ Ta=25°C unless otherwise specified

Parameter	Symbol	Min.	Typ.	Max.	Unit	Conditions
Forward voltage	$V_F$		0.28		V	$I_F=1mA$
			0.36		V	$I_F=10mA$
			0.54	0.60	V	$I_F=50mA$
Reverse current	$I_R$			5	$\mu A$	$V_R=10V$
Diode capacitance	$C_d$		18	25	pF	$V_R=0, f=1MHz$

## High Speed Switching Diode

### 1SS388

TYPICAL CHARACTERISTICS @  $T_a=25^\circ\text{C}$  unless otherwise specified



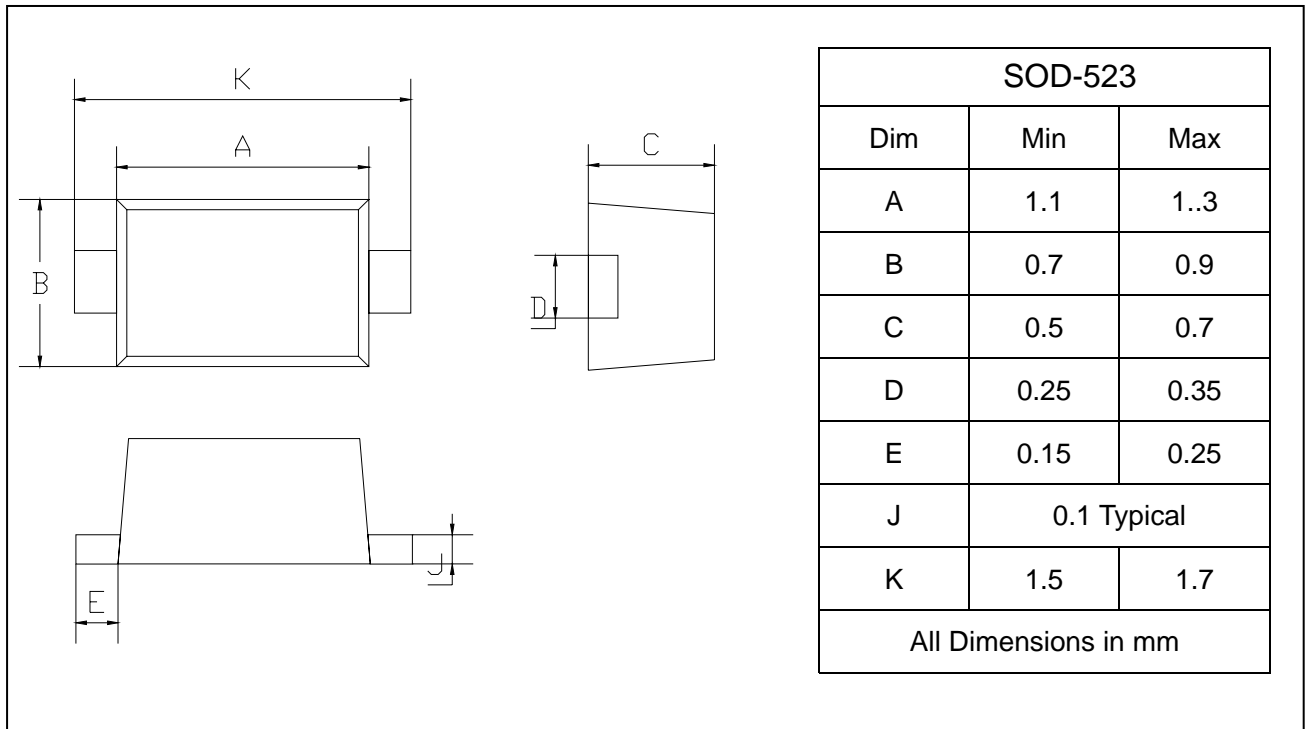
## High Speed Switching Diode

## 1SS388

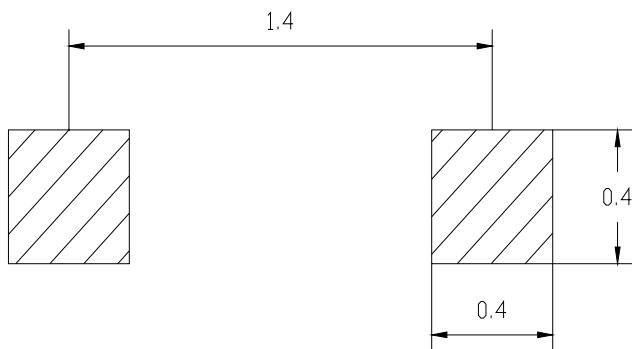
### PACKAGE OUTLINE

Plastic surface mounted package

SOD-523



### SOLDERING FOOTPRINT



Unit: mm

### PACKAGE INFORMATION

Device	Package	Shipping
1SS388	SOD-523	3000/Tape&Reel