



1SS389

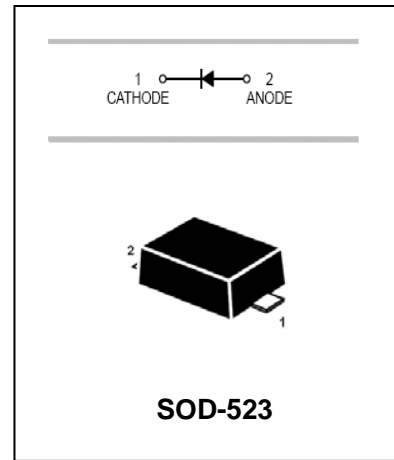
## Schottky Barrier Diode

### FEATURES

- Low forward voltage.
- Small package.



Lead-free



### APPLICATIONS

- High speed switching application.

### ORDERING INFORMATION

| Type No. | Marking | Package Code |
|----------|---------|--------------|
| 1SS389   | S4      | SOD-523      |

### MAXIMUM RATING @ Ta=25°C unless otherwise specified

| Parameter                     | Symbol    | Limits      | Unit |
|-------------------------------|-----------|-------------|------|
| Peak reverse voltage          | $V_{RM}$  | 15          | V    |
| DC Reverse voltage            | $V_R$     | 10          | V    |
| Maximum(peak) forward current | $I_{FM}$  | 200         | mA   |
| Continuous forward current    | $I_F$     | 100         | mA   |
| Surge current                 | $I_{FSM}$ | 1           | A    |
| Total power dissipation       | $P_{tot}$ | 150         | mW   |
| Junction temperature          | $T_j$     | 125         | °C   |
| Storage temperature           | $T_{stg}$ | -55 to +125 | °C   |
| Operating temperature range   | $T_{opr}$ | -40 to +100 | °C   |

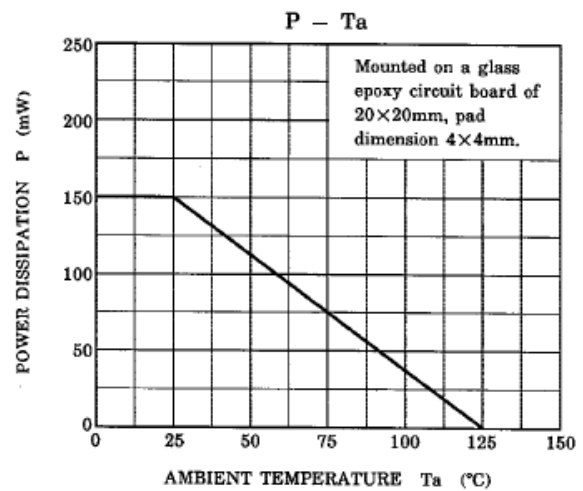
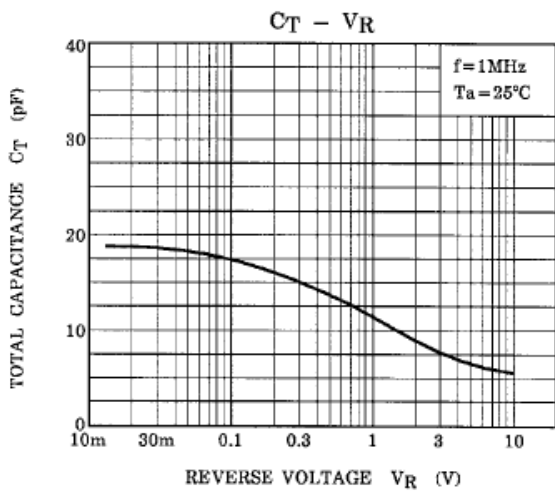
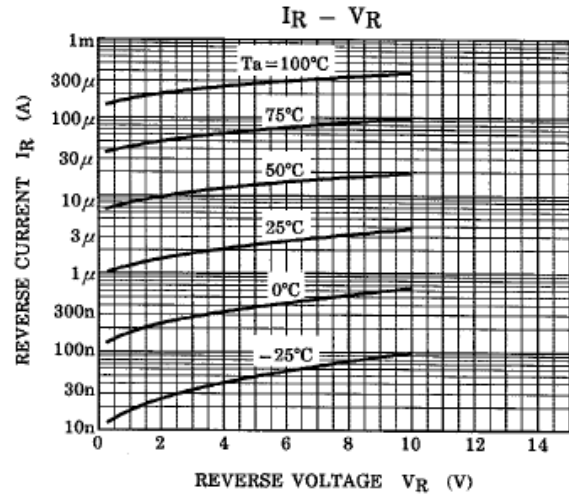
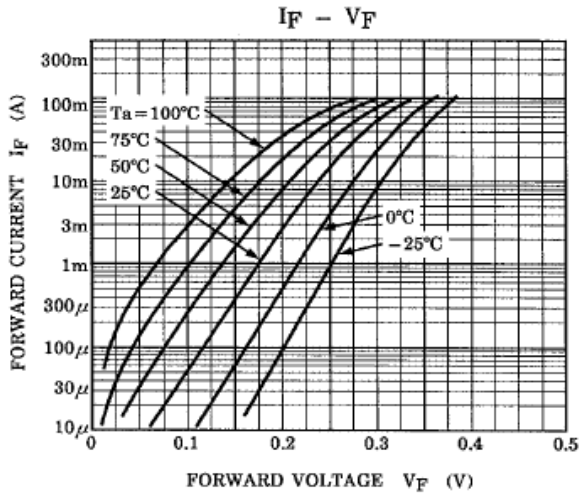
### ELECTRICAL CHARACTERISTICS @ Ta=25°C unless otherwise specified

| Parameter                 | Symbol      | Min. | Typ. | Max. | Unit    | Conditions      |
|---------------------------|-------------|------|------|------|---------|-----------------|
| Reverse breakdown voltage | $V_{(BR)R}$ | 10   |      |      | V       | $I_R=50\mu A$   |
| Forward voltage           | $V_F$       |      | 0.18 |      | V       | $I_F=1mA$       |
|                           |             |      | 0.23 | 0.30 | V       | $I_F=5mA$       |
|                           |             |      | 0.35 | 0.50 | V       | $I_F=100mA$     |
| Reverse current           | $I_R$       |      |      | 20   | $\mu A$ | $V_R=10V$       |
| Diode capacitance         | $C_d$       |      | 20   | 40   | pF      | $V_R=0, f=1MHz$ |



### Schottky Barrier Diode

TYPICAL CHARACTERISTICS @  $T_a=25^\circ\text{C}$  unless otherwise specified





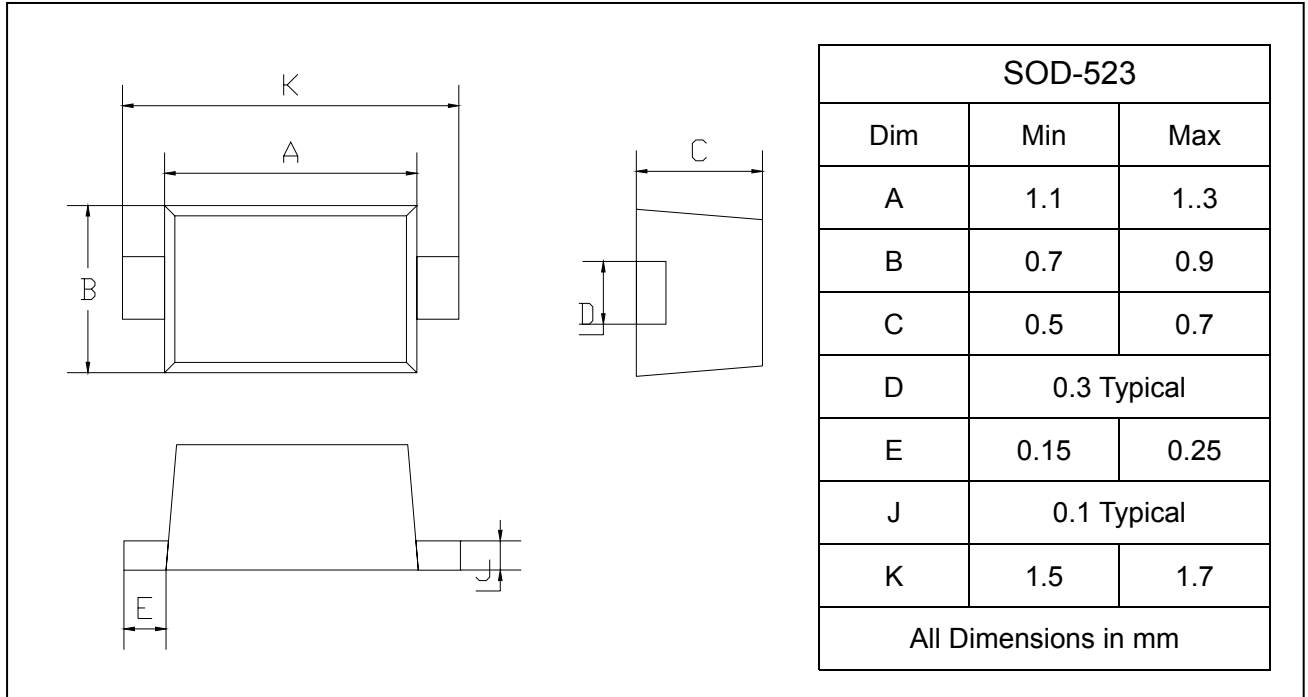
1SS389

Schottky Barrier Diode

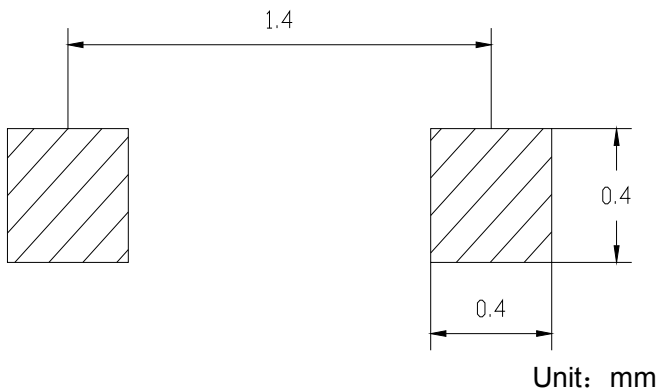
PACKAGE OUTLINE

Plastic surface mounted package

SOD-523



SOLDERING FOOTPRINT



PACKAGE INFORMATION

| Device | Package | Shipping       |
|--------|---------|----------------|
| 1SS389 | SOD-523 | 3000/Tape&Reel |