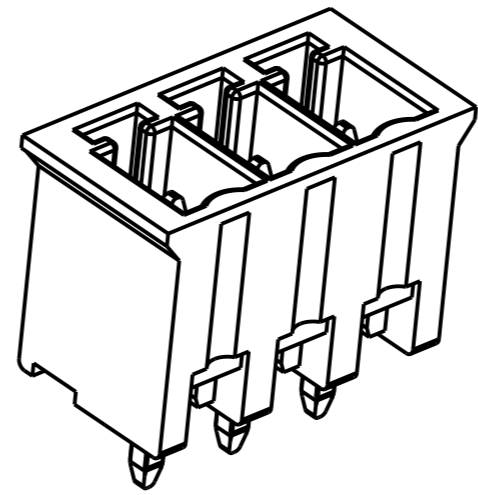
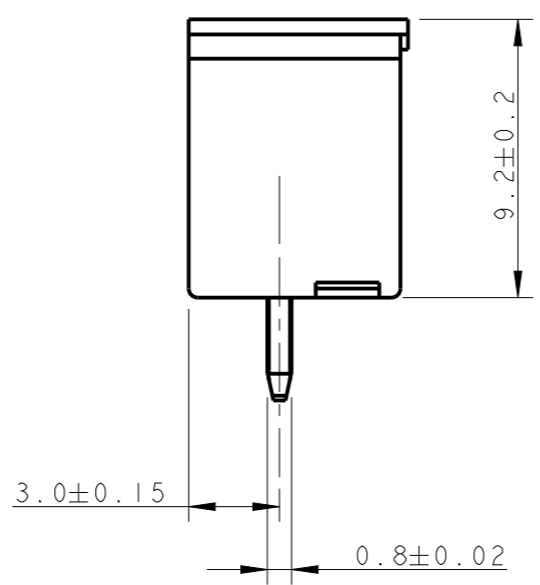
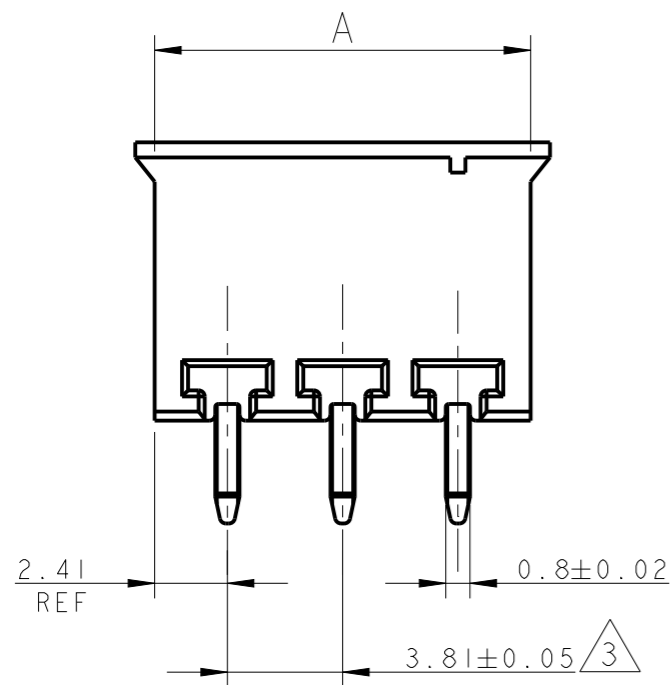


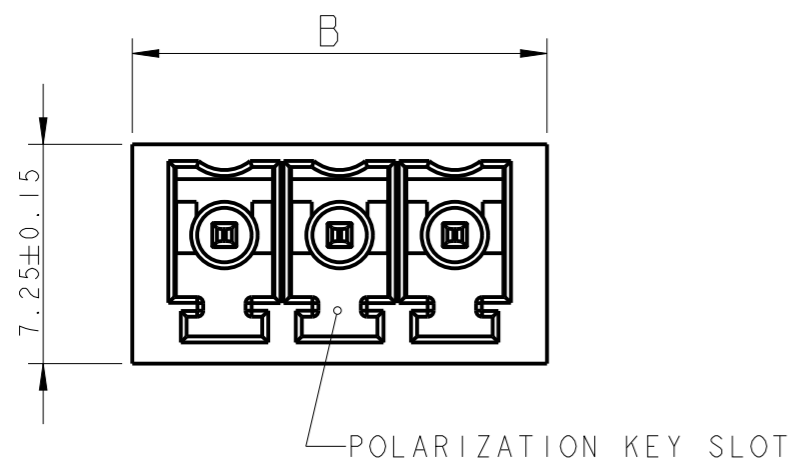
REVISIONS

P	LTR	DESCRIPTION	DATE	DWN	APVD
	C2	REVISED PER ECO-14-015436	13OCT2014	NK	MM

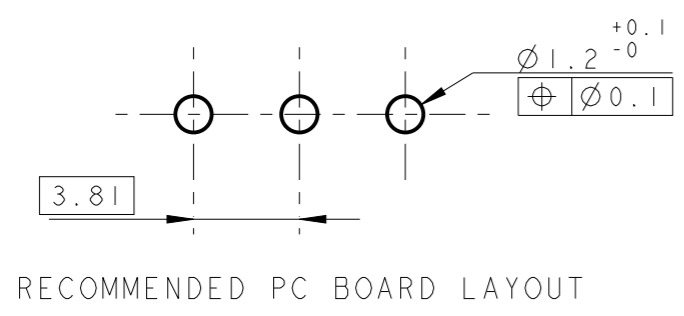


284517-3 AS SHOWN

5	4	B	A	NO OF POS	PART NUMBER
		17.53	16.25	4	2-284517-6
		97.54	96.26	25	2-284517-5
		93.73	92.45	24	2-284517-4
		89.92	88.64	23	2-284517-3
		86.11	84.83	22	2-284517-2
		82.30	81.02	21	2-284517-1
		78.49	77.21	20	2-284517-0
		74.68	73.40	19	1-284517-9
		70.87	69.59	18	1-284517-8
		67.06	65.78	17	1-284517-7
		63.25	61.97	16	1-284517-6
		59.44	58.16	15	1-284517-5
		55.63	54.35	14	1-284517-4
		51.82	50.54	13	1-284517-3
		48.01	46.73	12	1-284517-2
		44.20	42.92	11	1-284517-1
		40.39	39.11	10	1-284517-0
		36.58	35.30	9	284517-9
		32.77	31.49	8	284517-8
		28.96	27.68	7	284517-7
		25.15	23.87	6	284517-6
		21.34	20.06	5	284517-5
		17.53	16.25	4	284517-4
		13.72	12.44	3	284517-3
		9.91	8.63	2	284517-2



- 1 MATERIALS AND FINISH  
HOUSING : PA 6.6, UL 94-V0, COLOR GREEN  
TERMINAL : PHOSPHOR BRONZE, TIN PLATED
- 2 SUITABLE FOR 1.6-2.4 mm. PC BOARD THICKNESS
- 3 NOT CUMULATIVE TOLERANCE
- 4 HOUSING: PA 6.6, UL 94-V0, COLOR:RED
- 5 PRELIMINARY - NOT RELEASED FOR PRODUCTION



THIS DRAWING IS A CONTROLLED DOCUMENT.		DWN E. ZANOLINI 06FEB2002	 TE Connectivity	
DIMENSIONS: mm		CHK E. ZANOLINI 06FEB2002		
TOLERANCES UNLESS OTHERWISE SPECIFIED:		APVD D. BIEVENOUR 06FEB2002	NAME TERMINAL BLOCK, HEADER ASSEMBLY STRAIGHT, CLOSED ENDS 3.81mm PITCH	
0 PLC ±-		PRODUCT SPEC 108-20166	SIZE A300779	
1 PLC ±0.30		APPLICATION SPEC 114-20079	CAGE CODE C-284517	
2 PLC ±0.25		WEIGHT -	DRAWING NO -	
3 PLC ±-		CUSTOMER DRAWING	RESTRICTED TO -	
4 PLC ±-			SCALE 4:1	
ANGLES ±2°		SHEET 1 OF 1		
MATERIAL		REV C2		
FINISH				