

Directional Couplers

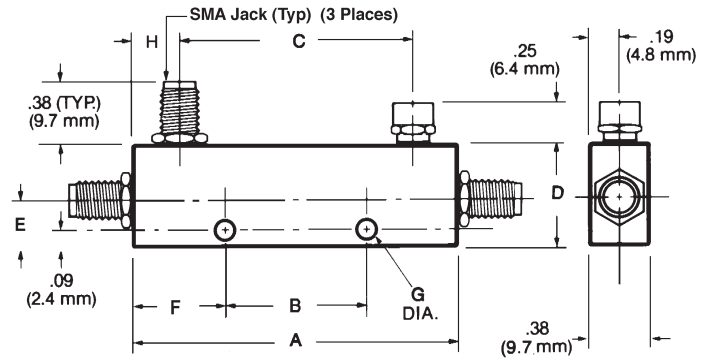
Multi-Octave

2025 Series

V2.00

Features

- Flat Frequency Response
- Frequency Range: 0.5-18 GHz
- Multi-Octave Bandwidths
- Temperature Range: -54 to +125°C
- Meets MIL-E-5400 Environments



NOTE: All dimensions are $\pm .020$, except mounting hole diameters ($\pm .005$) and mounting hole location ($\pm .010$).

Specifications

PART NO.	CASE STYLE	FREQUENCY RANGE (GHz)	COUPLING (INCLUDES FREQUENCY SENSITIVITY) (dB)	FREQUENCY SENSITIVITY (dB)	INSERTION LOSS max. (dB)	DIRECTIVITY min. (dB)	VSWR (max.)		POWER (INPUT PORT)			
							PRI. LINE	SEC. LINE	AVG. IN. (W)	AVG. REFL. (W)	PK. (kW)	
2025-6001-06	1	.50-2.0	6 \pm 1	\pm 0.4	0.4	18	1.15	1.15	50	4	4	IMPROVED IMPROVED
2025-6002-10	1		10 \pm 1	\pm 0.4	0.35	18	1.15	1.15	50	10	4	
2025-6003-16	1		16 \pm 1*	\pm 0.4	0.3	22	1.15	1.15	50	40	4	
2025-6004-20	1		20 \pm 1	\pm 0.4	0.3	22	1.15	1.15	50	50	4	
2025-6005-06	2	1.0-4.0	6 \pm 1	\pm 0.4	0.35	18	1.20	1.20	50	4	4	IMPROVED IMPROVED
2025-6006-10	2		10 \pm 1	\pm 0.4	0.3	18	1.20	1.20	50	10	4	
2025-6007-16	2		16 \pm 1*	\pm 0.4	0.3	22	1.20	1.20	50	40	4	
2025-6008-20	2		20 \pm 1	\pm 0.4	0.3	22	1.20	1.20	50	50	4	
2025-6009-06	3	2.0-8.4	6 \pm 1	\pm 0.3	0.4	18	1.25	1.25	50	4	4	IMPROVED
2025-6010-10	3		10 \pm 1	\pm 0.3	0.35	18	1.25	1.25	50	10	4	
2025-6011-16	3		16 \pm 1*	\pm 0.3	0.35	18	1.25	1.25	50	40	4	
2025-6012-20	3		20 \pm 1	\pm 0.3	0.35	20	1.25	1.25	50	50	4	
2025-6013-06	4	4.0-12.4	6 \pm 1	\pm 0.4	0.5	15	1.30	1.30	50	4	4	IMPROVED
2025-6014-10	4		10 \pm 1	\pm 0.4	0.5	15	1.30	1.30	50	10	4	
2025-6015-16	4		16 \pm 1*	\pm 0.4	0.5	15	1.30	1.30	50	40	4	
2025-6016-20	4		20 \pm 1	\pm 0.4	0.5	15	1.30	1.30	50	50	4	
2025-6017-06	5	6.0-18.0	6 \pm 1	\pm 0.4	0.7	15	1.40	1.40	50	4	2	IMPROVED
2025-6018-10	5		10 \pm 1	\pm 0.4	0.6	16	1.40	1.40	50	10	2	
2025-6019-16	5		16 \pm 1*	\pm 0.4	0.6	16	1.40	1.40	50	40	2	
2025-6020-20	5		20 \pm 1	\pm 0.4	0.6	15	1.40	1.40	50	50	2	

*Reference to output port for use as leveling coupler.

Mechanical Specifications

CASE STYLE	SIZE, INCHES (mm)									WEIGHT	
	A	B	C	D	E	F	G	H	oz.	g	
1	4.92 (125)	3.5 (89)	4.42 (112)	.60 (15.2)	.27 (6.73)	.71 (18.1)	.143 (3.63)	.25 (6.4)	2.10	58.8	
2	2.66 (67.6)	1.48 (37.6)	2.22 (56.4)	.60 (15.2)	.27 (6.73)	.59 (15)	.143 (3.63)	.22 (5.59)	1.26	35.3	
3	1.99 (50.5)	.88 (22.2)	1.44 (36.6)	.63 (15.9)	.28 (7.11)	.56 (14.2)	.143 (3.63)	.28 (7.06)	1.05	29.4	
4	1.21 (30.7)	.38 (9.7)	.69 (17.6)	.60 (15.2)	.22 (5.56)	.42 (10.6)	.104 (2.64)	.26 (6.55)	0.74	20.7	
5	1.16 (29.5)	.50 (12.7)	.65 (16.5)	.57 (14.4)	.25 (6.35)	.33 (8.33)	.104 (2.64)	.25 (6.45)	0.69	19.3	