

THIS DRAWING IS UNPUBLISHED.

RELEASED FOR PUBLICATION

20

LOC

DIST

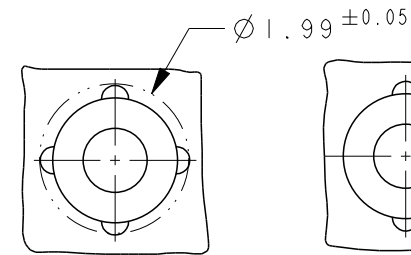
REVISIONS

© COPYRIGHT 20 BY -

ALL RIGHTS RESERVED.

P	LTR	DESCRIPTION	DATE	DWN	APVD
	A	RELEASED	25NOV2011	T.N	N.Y
	B	REVISED	20DEC2011	T.N	N.Y

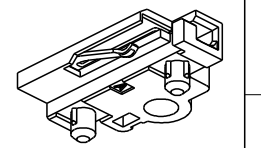
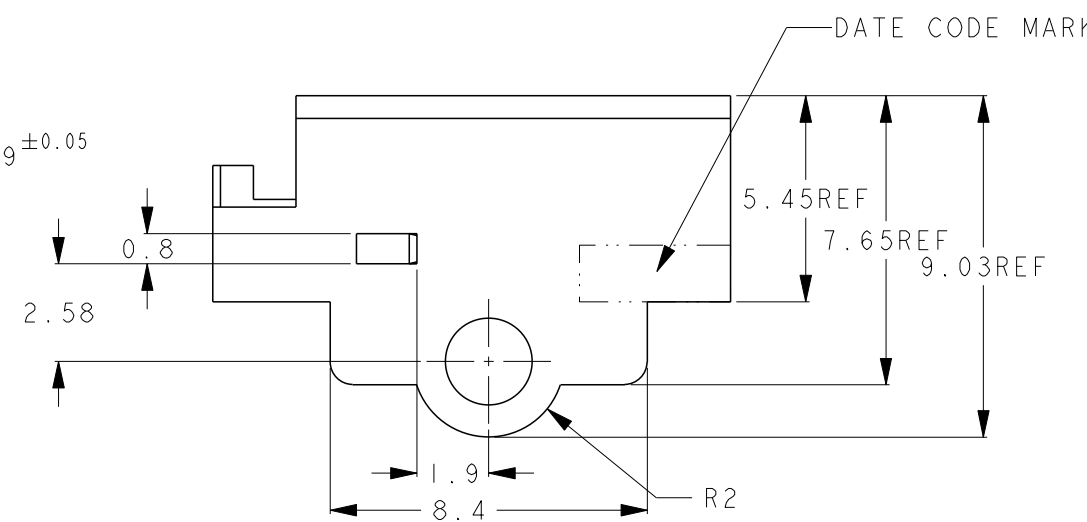
2174306-1:AS SHOWN  
本図



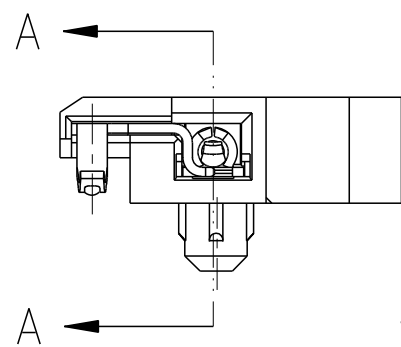
DETAIL B  
SCALE 10:1



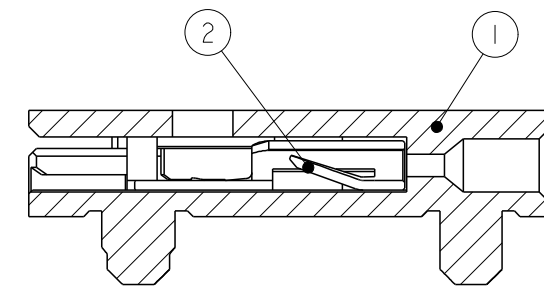
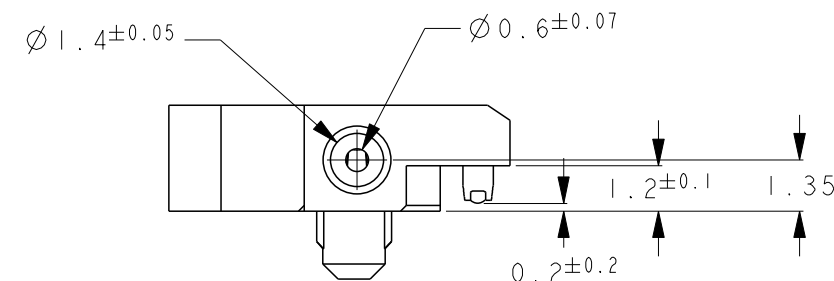
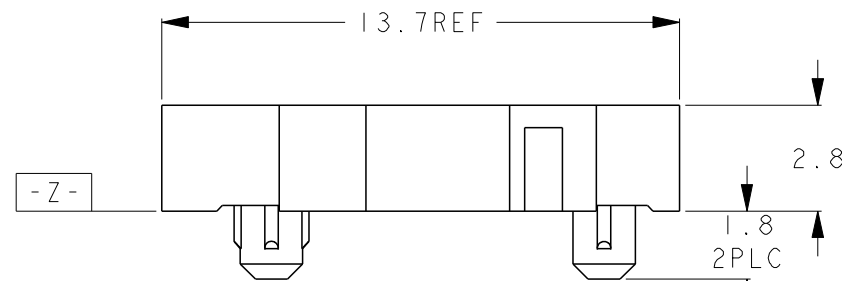
DETAIL C  
SCALE 10:1



SCALE 2:1



A



電線挿入方向  
WIRE INSERTION DIRECTION

A-A

SEE DETAIL B

SEE DETAIL C

TABLE 1

MATERIAL & FINISH	NAME	ITEM
COPPER ALLOY LED MODULE CONTACT AREA : GOLD PLATED ALL OVER UNDER NICKEL PLATED 銅合金 LED モジュール接触部 : 金めっき 全面下地ニッケルめっき	CONTACT コンタクト	②
LCP 液晶ポリマー	HOUSING ハウジング	①

1. 適用電線 : AWG24 単線 ( 錫めっき品 )  
被覆外径 :  $\phi 1.35\text{mm MAX}$

2. 適用ネジ : M2  
3. ねじ締めトルク値 :  $9\text{cN}\cdot\text{m MAX}$   
4. 外觀基準 : タイコエレクトロニクスジャパン合同会社社内基準に準拠する。  
5. 本コネクタはシャープ製ミニ銭形シリーズに使用可能である。

1. APPLICABLE WIRES : AWG24 SOLID ( TIN COATING )  
INSULATION DIAMETER :  $\phi 1.35\text{mm MAX}$   
2. APPLICABLE SCREW : M2  
3. SCREW TIGHTENING TORQUE :  $9\text{cN}\cdot\text{m MAX}$   
4. VISUAL STANDARD : TO CONFORM TYCO ELECTRONICS JAPAN G.K.  
INTERNAL RULE.  
5. THIS CONNECTOR CAN BE USED FOR MINI ZENIGATA SERIES OF SHARP.

THIS DRAWING IS A CONTROLLED DOCUMENT.

DIMENSIONS:	TOLERANCES UNLESS OTHERWISE SPECIFIED:
mm	$\pm 0.15$
	0-PLC $\pm$
	1-PLC $\pm$
	2-PLC $\pm$
	3-PLC $\pm$
	4-PLC $\pm$
	ANGLES $\pm 1^\circ$

MATERIAL TABLE 1 FINISH TABLE 1

DWN	T. NAGASAKI	25NOV2011
CHK	M. HARASAWA	25NOV2011
APVD	N. YAMASAKI	25NOV2011
PRODUCT SPEC	108-78860	
APPLICATION SPEC	114-5490	
WEIGHT	0.357g	

**STE** TE Connectivity

NAME: SOLDERLESS LED SOCKET TYPE SMIZ ASSEMBLY

SIZE: A300779 CAGE CODE: C=2174306 DRAWING NO: 2174306 RESTRICTED TO: -

CUSTOMER DRAWING SCALE 5:1 SHEET 1 OF 2 REV B

4

3

2

1

THIS DRAWING IS UNPUBLISHED.

RELEASED FOR PUBLICATION

20

© COPYRIGHT 20

BY -

ALL RIGHTS RESERVED.

LOC  
JDIST  
-

REVISIONS

P	LTR	DESCRIPTION	DATE	DWN	APVD
	-	SEE SHEET 1	-	-	-

 $\phi 1.9 \pm 0.05$   
DEPTH 2mmMIN

XX REF  
-X-

12

9.1 ± 0.05  
2PLC

9.1 ± 0.05  
2PLC

$\phi 1.9 \pm 0.05$   
DEPTH 2mmMIN

M2 SCREW TAP  
 $\oplus 0.1 | X | Y$

4.4 ± 0.05

YY REF  
-Y-

4.4 ± 0.05

4.4 ± 0.05

$\phi 1.9 \pm 0.05$   
DEPTH 2mmMIN

M2 SCREW TAP  
 $\oplus 0.1 | X | Y$

$\phi 1.9 \pm 0.05$   
DEPTH 2mmMIN

$\phi 1.9 \pm 0.05$   
DEPTH 2mmMIN

R0.7MAX  
4PLC

15<sup>+0.25</sup><sub>-0.10</sub>  
-X-

5.8 ± 0.05

5.8 ± 0.05

IREF

3.25 ± 0.05

12<sup>+0.25</sup><sub>-0.10</sub> (10.9)  
-Y-

3.25 ± 0.05

3.5  
2PLC

4.6

4.6

IREF

1.4  
2PLC

(1.6)

LED PACKAGE 推奨寸法(ミニ銭形)

LED PACKAGE RECOMMEND DIMENSION FOR MINI ZENIGATA

HEAT SINK 推奨寸法(ミニ銭形)

HEAT SINK RECOMMEND DIMENSION FOR MINI ZENIGATA

THIS DRAWING IS A CONTROLLED DOCUMENT.

DWN

CHK

APVD

PRODUCT SPEC

APPLICATION SPEC

WEIGHT

CUSTOMER DRAWING

DIMENSIONS:  
mm

MATERIAL

TOLERANCES UNLESS  
OTHERWISE SPECIFIED:  
± 0.1

0-PLC ±

1-PLC ±

2-PLC ±

3-PLC ±

4-PLC ±

ANGLES ±1°

FINISH

DWN	
CHK	
APVD	
PRODUCT SPEC	
APPLICATION SPEC	
WEIGHT	

TE Connectivity

NAME

SOLDERLESS LED SOCKET  
TYPE SMIZ  
ASSEMBLY

SIZE

CAGE CODE

DRAWING NO

RESTRICTED TO

A300779

C=2174306

-

SCALE 4:1

SHEET 2

OF 2

REV B

1470-19 (3/11)