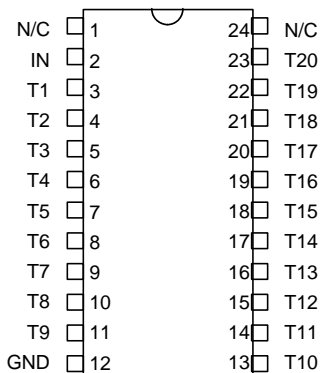


**20-TAP DIP DELAY LINE**

$T_D/T_R = 10$   
(SERIES 2214)

**FEATURES**

- 20 taps of equal delay increment
- High bandwidth ( $T_D/T_R = 10$ )
- Low profile
- Epoxy encapsulated
- Meets or exceeds MIL-D-23859C

**PACKAGES**

2214-xxz (DIP)  
2214-xxzC4 (Gull-Wing)  
xx = Delay ( $T_D$ )  
z = Impedance Code

**PIN DESCRIPTIONS**

IN Signal Input  
T1-T20 Tap Outputs  
GND Ground

**FUNCTIONAL DESCRIPTION**

The 2214-series device is a fixed, single-input, twenty-output, passive delay line. The signal input (IN) is reproduced at the outputs (T1-T20) in equal increments. The delay from IN to T20 ( $T_D$ ) is given by the device dash number. The characteristic impedance of the line is given by the letter code that follows the dash number (See Table). The rise time ( $T_R$ ) of the line is 10% of  $T_D$ , and the 3dB bandwidth is given by  $3.5 / T_D$ .

**SERIES SPECIFICATIONS**

- Dielectric breakdown: 50 Vdc
- Distortion @ output: 10% max.
- Operating temperature: -55°C to +125°C
- Storage temperature: -55°C to +125°C
- Temperature coefficient: 100 PPM/°C

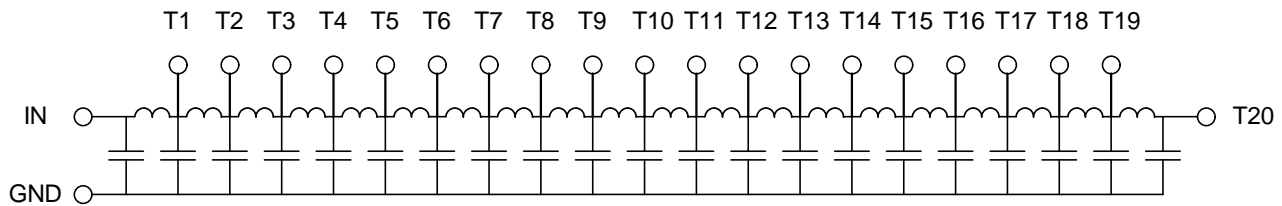
**DASH NUMBER SPECIFICATIONS****DASH NUMBER SPECIFICATIONS**

Part Number	$T_D$ (ns)	Delay per Tap (ns)	$T_R$ (ns)	Imped. ( $\Omega$ )	$R_{DC}$ ( $\Omega$ )
2214-50A	50.0 ± 2.5	2.5 ± 1.0	5.0	50	3.2
2214-60A	60.0 ± 3.0	3.0 ± 1.0	6.0	50	3.6
2214-80A	80.0 ± 4.0	4.0 ± 1.0	8.0	50	5.0
2214-100A	100 ± 5.0	5.0 ± 1.0	10.0	50	6.0
2214-150A	150 ± 7.5	7.5 ± 1.0	15.0	50	6.0
2214-200A	200 ± 10.0	10.0 ± 1.0	20.0	50	7.0
2214-50B	50.0 ± 2.5	2.5 ± 1.0	5.0	100	6.0
2214-60B	60.0 ± 3.0	3.0 ± 1.0	6.0	100	6.0
2214-80B	80.0 ± 4.0	4.0 ± 1.0	8.0	100	6.5
2214-100B	100 ± 5.0	5.0 ± 1.0	10.0	100	7.0
2214-150B	150 ± 7.5	7.5 ± 1.0	15.0	100	8.0
2214-200B	200 ± 10.0	10.0 ± 1.0	20.0	100	8.5
2214-300B	300 ± 15.0	15.0 ± 1.0	30.0	100	11.0
2214-400B	400 ± 20.0	20.0 ± 1.0	40.0	100	12.0

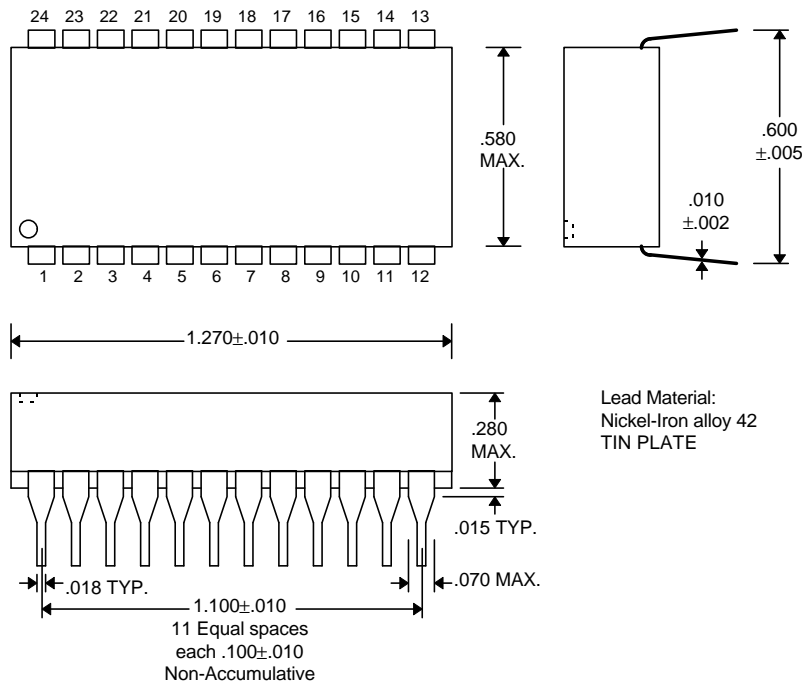
Part Number	$T_D$ (ns)	Delay per Tap (ns)	$T_R$ (ns)	Imped. ( $\Omega$ )	$R_{DC}$ ( $\Omega$ )
2214-40C	40.0 ± 2.0	2.0 ± 1.0	4.0	200	7.0
2214-80C	80.0 ± 4.0	4.0 ± 1.0	8.0	200	8.0
2214-120C	120 ± 6.0	6.0 ± 1.0	12.0	200	10.0
2214-200C	200 ± 10.0	10.0 ± 1.0	20.0	200	13.0
2214-300C	300 ± 15.0	15.0 ± 1.0	30.0	200	12.0
2214-400C	400 ± 20.0	20.0 ± 1.0	40.0	200	15.0
2214-500C	500 ± 25.0	25.0 ± 1.3	50.0	200	17.0
2214-600C	600 ± 30.0	30.0 ± 1.5	60.0	200	23.0
2214-800C	800 ± 40.0	40.0 ± 2.0	80.0	200	38.0
2214-50D	50.0 ± 2.5	2.5 ± 1.0	5.0	250	7.0
2214-100D	100 ± 5.0	5.0 ± 1.0	10.0	250	10.0
2214-150D	150 ± 7.5	7.5 ± 1.0	15.0	250	12.0
2214-200D	200 ± 10.0	10.0 ± 1.0	20.0	250	22.0
2214-250D	250 ± 12.5	12.5 ± 1.0	25.0	250	21.0
2214-300D	300 ± 15.0	15.0 ± 1.0	30.0	250	23.0
2214-400D	400 ± 20.0	20.0 ± 1.0	40.0	250	26.0
2214-500D	500 ± 25.0	25.0 ± 1.3	50.0	250	30.0
2214-600D	600 ± 30.0	30.0 ± 1.5	60.0	250	37.0
2214-800D	800 ± 40.0	40.0 ± 2.0	80.0	250	41.0
2214-1000D	1000 ± 50.0	50.0 ± 2.5	100	250	47.0
2214-200G	200 ± 10.0	10.0 ± 1.0	20.0	500	20.0
2214-300G	300 ± 15.0	15.0 ± 1.0	30.0	500	37.0
2214-400G	400 ± 20.0	20.0 ± 1.0	40.0	500	40.0
2214-500G	500 ± 25.0	25.0 ± 1.3	50.0	500	45.0
2214-600G	600 ± 30.0	30.0 ± 1.5	60.0	500	52.0
2214-800G	800 ± 40.0	40.0 ± 2.0	80.0	500	80.0
2214-1000G	1000 ± 50.0	50.0 ± 2.5	100	500	100
2214-1200G	1200 ± 60.0	60.0 ± 3.0	120	500	110
2214-1500G	1500 ± 75.0	75.0 ± 3.8	150	500	130
2214-2000G	2000 ± 100	100 ± 5.0	200	500	156

©1997 Data Delay Devices

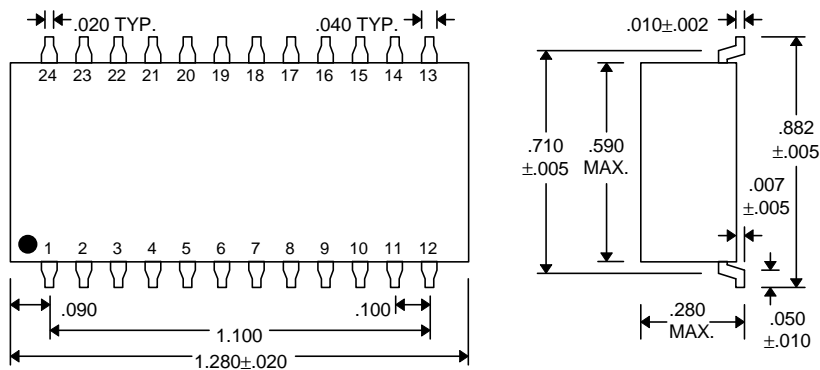
**FUNCTIONAL DIAGRAM**



**PACKAGE DIMENSIONS**



**DIP (2214-xxz)**



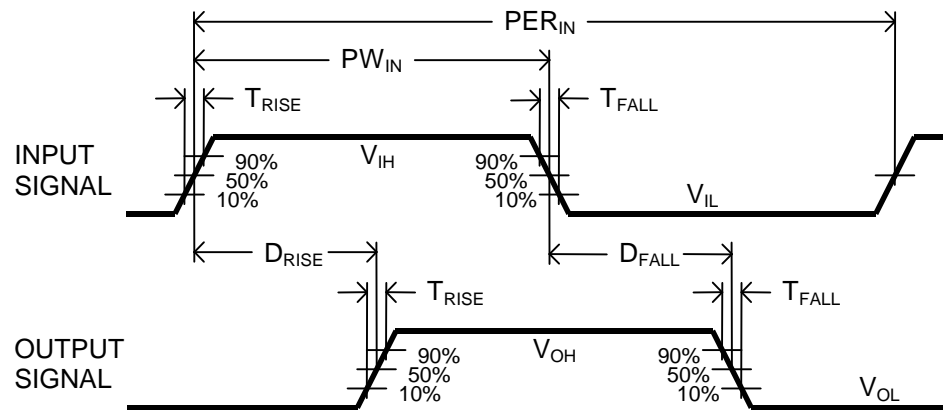
**Gull-Wing (2214-xxzC4)**

## PASSIVE DELAY LINE TEST SPECIFICATIONS

### TEST CONDITIONS

<b>INPUT:</b>		<b>OUTPUT:</b>	
<b>Ambient Temperature:</b>	25°C ± 3°C	<b>R<sub>load</sub>:</b>	10MΩ
<b>Input Pulse:</b>	High = 3.0V typical Low = 0.0V typical	<b>C<sub>load</sub>:</b>	10pf
<b>Source Impedance:</b>	50Ω Max.	<b>Threshold:</b>	50% (Rising & Falling)
<b>Rise/Fall Time:</b>	3.0 ns Max. (measured at 10% and 90% levels)		
<b>Pulse Width (T<sub>D</sub> ≤ 75ns):</b>	PW <sub>IN</sub> = 100ns		
<b>Period (T<sub>D</sub> ≤ 75ns):</b>	PER <sub>IN</sub> = 1000ns		
<b>Pulse Width (T<sub>D</sub> &gt; 75ns):</b>	PW <sub>IN</sub> = 2 x T <sub>D</sub>		
<b>Period (T<sub>D</sub> &gt; 75ns):</b>	PER <sub>IN</sub> = 10 x T <sub>D</sub>		

**NOTE:** The above conditions are for test only and do not in any way restrict the operation of the device.



Timing Diagram For Testing

