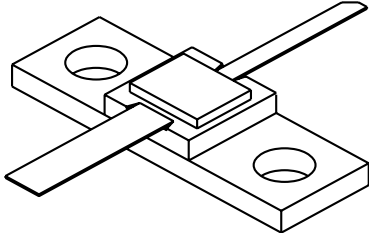


2225-4L

3.5 Watts, 24 Volts, Class C
Microwave 2200-2500 MHz

<p>GENERAL DESCRIPTION</p> <p>The 2225-4L is a COMMON BASE transistor capable of providing 3.5 Watts, Class C output power over the band 2200-2500 MHz. The transistor includes input prematching for full broadband capability. Gold metalization and diffused ballasting are used to provide high reliability and supreme ruggedness. The transistor uses a fully hermetic High Temperature Solder Sealed package.</p>	<p>CASE OUTLINE 55LV, STYLE 1</p> 
<p>ABSOLUTE MAXIMUM RATINGS</p> <p>Maximum Power Dissipation @ 25°C 10 Watts</p> <p>Maximum Voltage and Current</p> <p>BVces Collector to Emitter Voltage 40 Volts BVebo Emitter to Base Voltage 3.5 Volts Ic Collector Current 0.6 Amps</p> <p>Maximum Temperatures</p> <p>Storage Temperature - 65 to + 200°C Operating Junction Temperature + 200°C</p>	

ELECTRICAL CHARACTERISTICS @ 25 °C

SYMBOL	CHARACTERISTICS	TEST CONDITIONS	MIN	TYP	MAX	UNITS
Pout	Power Out	F = 2200-2500 MHz	3.5			Watts
Pin	Power Input	Vcc = 24 Volts			0.5	Watts
Pg	Power Gain		8.5			dB
ηc	Efficiency			40		%
VSWR	Load Mismatch Tolerance	Pout = 3.5Watts			10:1	

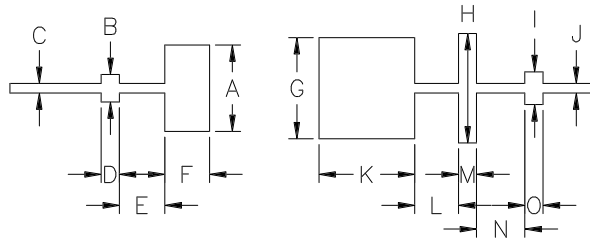
BVces	Collector to Emitter Breakdown	Ic = 10 mA	40			Volts
BVebo	Emitter to Base Breakdown	Ie = 5 mA	3.5			Volts
Hfe	Current Gain	Vce = 5V, Ic = 200 mA	20		120	
Cob	Output Capacitance	Vcb = 24 F = 1 MHz		7		pF
θjc	Thermal Resistance	Tc = 25°C			17.0	°C/W

Initial Issue July, 1994

GHZ TECHNOLOGY INC. RESERVES THE RIGHT TO MAKE CHANGES WITHOUT FURTHER NOTICE. GHZ RECOMMENDS THAT BEFORE THE PRODUCT(S) DESCRIBED HEREIN ARE WRITTEN INTO SPECIFICATIONS, OR USED IN CRITICAL APPLICATIONS, THAT THE PERFORMANCE CHARACTERISTICS BE VERIFIED BY CONTACTING THE FACTORY.

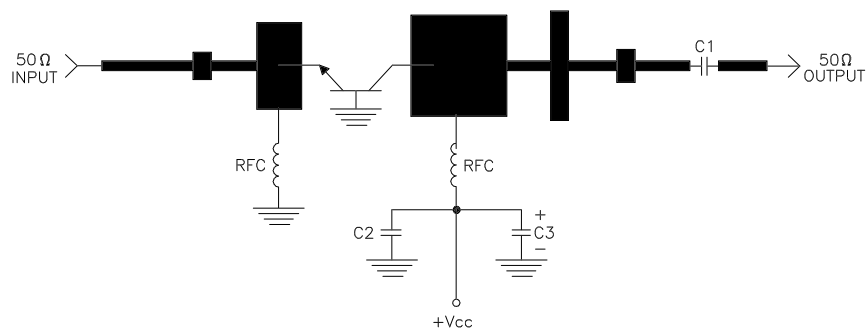
REVISIONS

ZONE	REV	DESCRIPTION	DATE	APPROVED
------	-----	-------------	------	----------



DIM	INCHES
A	.475
B	.150
C	.053
D	.100
E	.250
F	.245
G	.555
H	.600
I	.180
J	.053
K	.525
L	.240
M	.100
N	.265
O	.100

2225-4L TEST CIRCUIT



DIELECTRIC = 20 MIL THICK TFE Er = 2.43
 C1, C2 = 62pF CHIP ATC "B"
 C3 = 10 MFD @ 35V
 RFC = 4 turns #22 wire 1/16" I.D.



CAGE OPJR2	DWG NO. 2225-4L	REV A
SCALE 1/1	SHEET	