



# 1000 BASE -T MAGNETICS MODULES

## P/N: 24HSS1041A-2 LF DATA SHEET

### Feature



- Designed for long haul gigabit Ethernet 1000 BASE-T, full duplex applications.
- Supports 4 pairs of category UTP-5 cable.
- Cable interface for isolation and low common mode emissions.
- Comply with RoHS requirements-whole part No Cd, No Hg, No Cr6+, No PBB and PBDE and No Pb on external pins.
- Comply with Air reflow profile of JEDEC 020C.
- Compliant with IEEE 802.3ab standard for 1000 BASE-T.
- Operating temperature range: 0 to +70 .
- Storage temperature range: -25 to +125 .

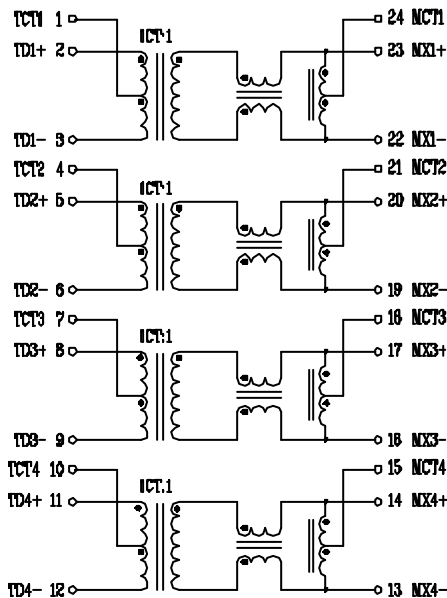
### Electrical Specifications @ 25° C

| Part Number     | Turns Ratio (±5%) | OCL (uH Min)<br>@100KHz/0.1V<br>with 8mA DC Bias | Cross talk Attenuation (dB Min) |       |        | HI-POT (Vrms) |
|-----------------|-------------------|--|---------------------------------|-------|--------|---------------|
|                 |                   |  | 30MHz                           | 60MHz | 100MHz |               |
| 24HSS1041A-2 LF | 1CT:1             | 350  | -45                             | -40   | -35    | 1500          |

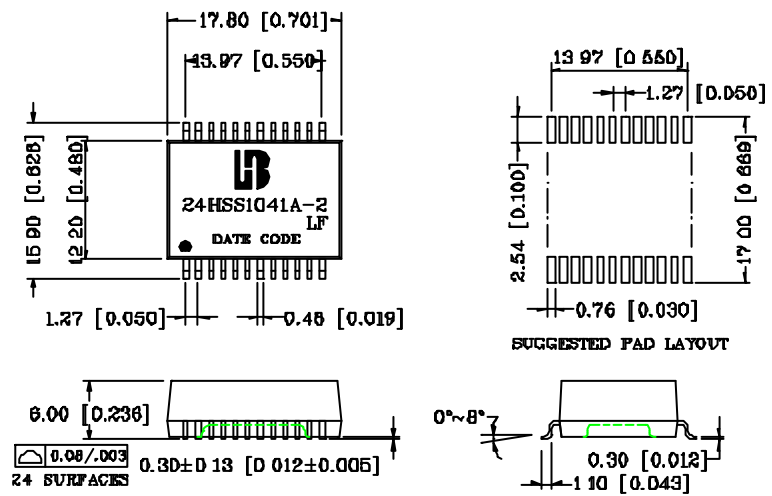
### Continue

| Part Number     | Insertion Loss (dB Max) | Return Loss (dB Min) @ Load 100 |         |       |       |          | DCMR (dB Min) |       |       |
|-----------------|-------------------------|---------------------------------|---------|-------|-------|----------|---------------|-------|-------|
|                 |                         | 1-100MHz                        | 1-30MHz | 40MHz | 50MHz | 60-80MHz | 100MHz        | 30MHz | 60MHz |
| 24HSS1041A-2 LF | -1.0                    | -18                             | -14.4   | -13.1 | -12   | -10      | -43           | -37   | -33   |

### Schematic



### Mechanical



Units: mm [Inches] Tolerances: xx.x0±0.25 [0.010]  
0.xx±0.05 [0.002]