

# KR Electronics, Inc.

## General Description

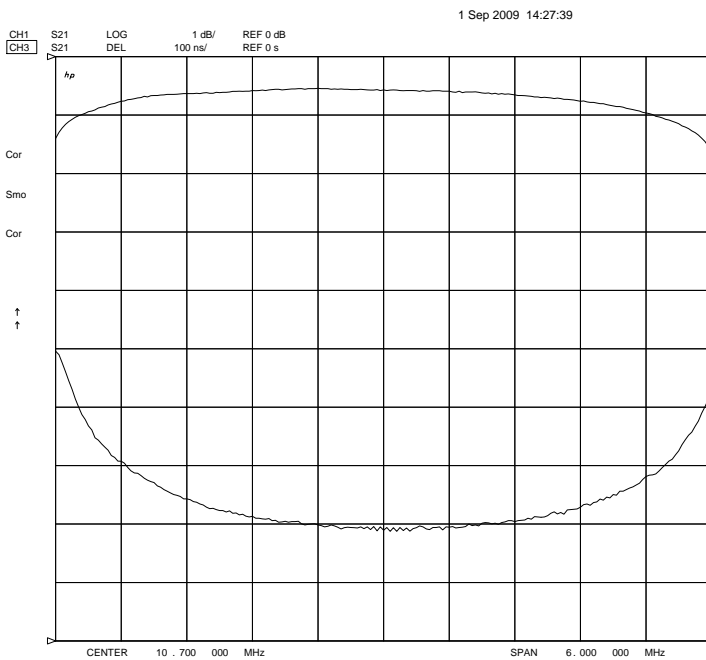
KR 2567-1 is a 10.7 MHz bandpass filter. The filter has a minimum 3 dB bandwidth of 6 MHz and is designed for 50  $\Omega$  source and load impedance. Other center frequencies and bandwidths are available. Also available in a SMA package. Please consult the factory.

## Features

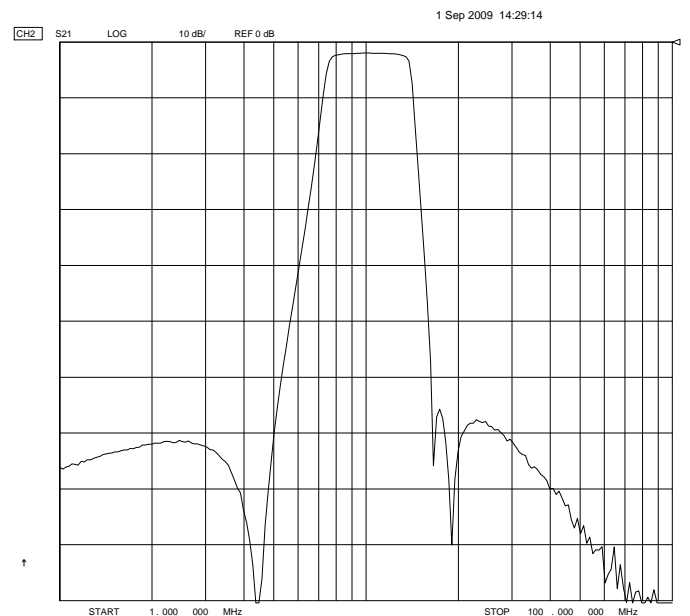
- 10.7 MHz Bandpass
- Elliptic type response
- 50  $\Omega$
- SMT package

## Typical Performance

**Passband Amplitude & Group Delay**  
(1 dB/div & 100 nsec/div)



**Overall Response**  
(10 dB/div)



KR Electronics, Inc.  
91 Avenel Street  
Avenel, NJ 07001

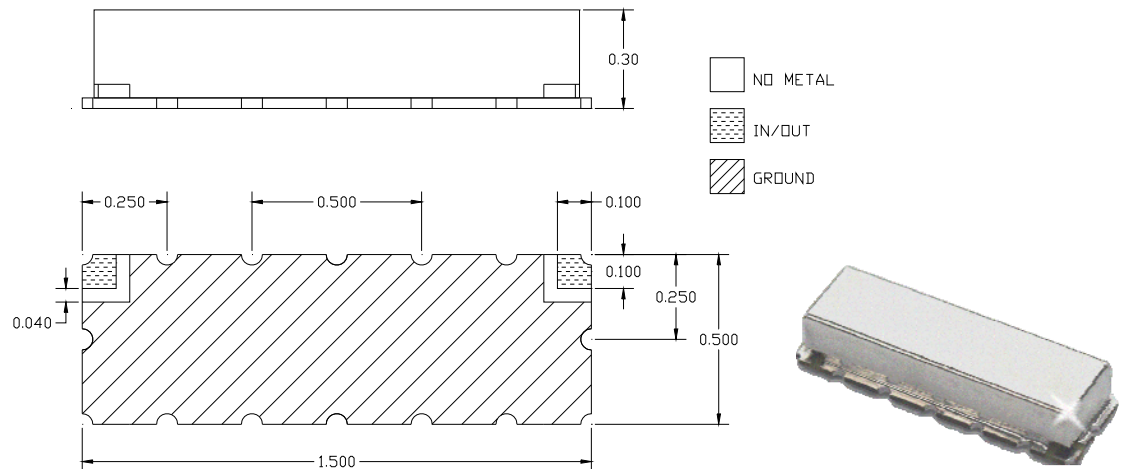
Web [www.krfilters.com](http://www.krfilters.com)  
Email [sales@krfilters.com](mailto:sales@krfilters.com)  
Phone (732) 636-1900  
Fax (732) 636-1982

# KR Electronics, Inc. 2567-1

## Specifications

| Parameter               | Specification           |
|-------------------------|-------------------------|
| Filter type             | Bandpass                |
| Center Frequency        | 10.7 MHz                |
| Insertion Loss          | < 3 dB (< 1 dB typical) |
| Minimum 3 dB Bandwidth  | 6 MHz                   |
| Attenuation at 5 MHz    | > 60 dB                 |
| Attenuation at 16.5 MHz | > 60 dB                 |
| Source & Load           | 50 Ω                    |
| Operating Temperature   | -30° C to +70° C        |

## Physical Dimensions



### Notes:

1. Surface mount package, metal cover
2. Dimensions in inches
3. Max reflow temperature 209° C for 10 sec
4. If boards are cleaned after installation units must be completely dried
5. Also available in metal case with SMA connectors

KR Electronics, Inc.  
91 Avenel Street  
Avenel, NJ 07001

Web [www.krfilters.com](http://www.krfilters.com)  
Email [sales@krfilters.com](mailto:sales@krfilters.com)  
Phone (732) 636-1900  
Fax (732) 636-1982