

IEC Appliance Inlet C8, Screw-on Mounting, Front Side, Solder or Quick-connect Terminal



new

C8A



70 °C

**Description**

- Panel Mount:
Screw-on mounting, Frontside
- Appliance Inlet, Pin temperature 70 °C, Protection class II

Approvals

- VDE License Number: 40002274
- UL License Number: E96454
- CSA License Number: 27324

References

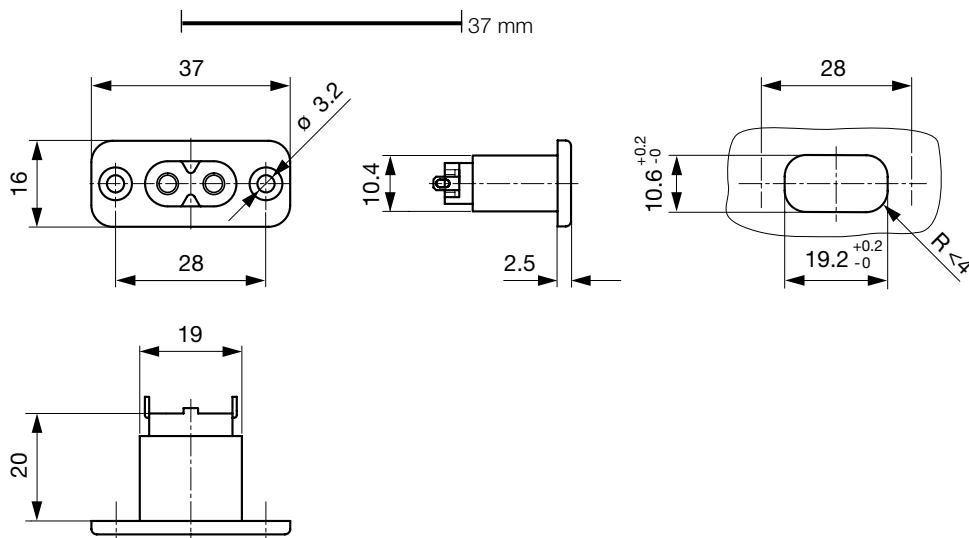
[General Product Information](#)

Weblinks

[Approvals](#), [RoHS](#), [CHINA-RoHS](#), [Mating Connectors](#), [Distributor-Stock-Check](#), [Accessories](#)

Technical Data

Ratings IEC	2.5 A / 250 VAC; 50 Hz
Ratings UL/CSA	2.5 A / 250 VAC; 60 Hz
Dielectric Strength	> 3 kVAC between L-N > 1.5 kVAC between L/N-PE (1 min/50 Hz)
Allowable Operation Temp.	-25 °C to 70 °C
Degree of Protection	from front side IP 20 acc. to IEC 60529
Protection Class	Suitable for appliances with protection class 2 acc. to IEC 61140
Material: Housing	UL 94V-0

Dimensions

length of the terminal please find at the order code configuration table

Config. Code

Product Configurator

2574 - H - A B C 0 - D - E

The characters are placeholders for the correspondingly keys of selections from the key tables.

2574 - H - A B C 0 - D - E = Type

Type	Configuration key
protection class 2	B

2574 - H - A B C 0 - D - E = Terminals

Terminal L	Configuration key
short solder terminal (L=4,8mm)	2
long solder terminal (L=8,5mm)	3
blade terminal (2,8x0,8mm)	7



2574 - H - A B C 0 - D - E = Terminals

Terminal N	Configuration key
short solder terminal (L=4,8mm)	2
long solder terminal (L=8,5mm)	3
blade terminal (2,8x0,8mm)	7

Symbols similar as in table A

2574 - H - A B C 0 - D - E = Terminals

Terminal Ground	Configuration key
without terminal	0

Symbols similar as in table A

2574 - H - A B C 0 - D - E = Color

Color	Configuration key
jet black; RAL9005	A
silver grey; RAL7001	B
pure white; RAL9010	D

standard color: black

2574 - H - A B C 0 - D - E = Style

Style	Configuration key
flange with countersunk holes	1
flange with through holes	2

Variants

Config. Code	Description	Order Number
2574-X-2200-A-1	2574, IEC Appliance Inlet , 70°C, Schutzklasse 2, L: short solder terminal (L=4,8mm), N: short solder terminal (L=4,8mm), Erde: without terminal, Farbe jet black; RAL9005, Bauform: flange with countersunk holes, Mass X:	6160.0019
2574-X-7700-A-1	2574, IEC Appliance Inlet , 70°C, Schutzklasse 2, L: blade terminal (2,8x0,8mm), N: blade terminal (2,8x0,8mm), Erde: without terminal, Farbe jet black; RAL9005, Bauform: flange with countersunk holes, Mass X:	6160.0020

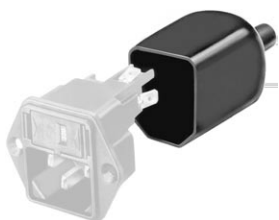
The listed variants should be available from stock Other versions on request www.schurter.com/contact

Packaging unit

100 Pcs

Accessories

Description



Assorted Covers
Rear Cover