



## 2-18 GHz

## HIGH POWER DIRECTIONAL COUPLERS

### FEATURES

- High Performance Design
- 400 Watt Avg., 3 to 5 kW Peak Rating
- Low Loss, Air Dielectric
- Operation to 85°C Without Degradation
- TNC or Type N Connectors

### APPLICATIONS

- Measurement of High Power RF Signals
- Reliable Monitoring of TWT High Power Amplifiers
- Testing of EW Systems with High RF Power Outputs

### SPECIFICATIONS

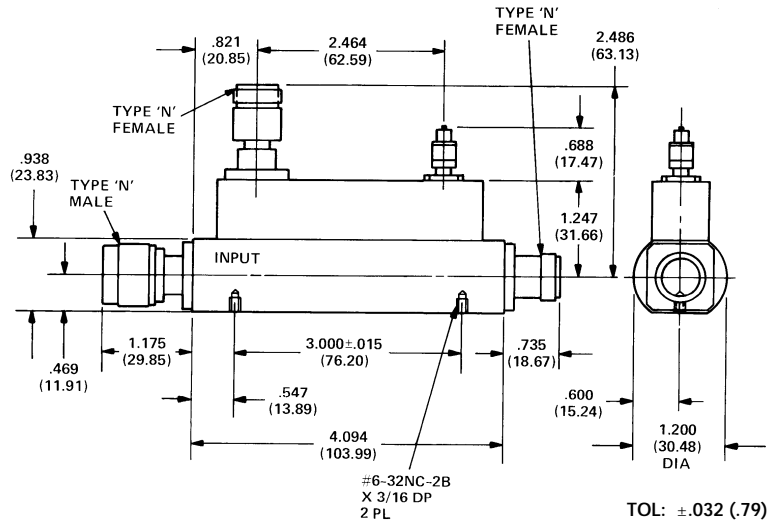
	2-18 GHz		6-18 GHz		2-8 GHz	
Model No.	27000	27003	27001A	27004A	27002	27005
Coupling	30, 40, 50 dB ±1.4 dB	30, 40, 50 dB ±1.4 dB	30, 40, 50 dB ±1.0 dB	30, 40, 50 dB ±1.0 dB	30, 40, 50 dB ±1.0 dB	30, 40, 50 dB ±1.0 dB
Frequency Sensitivity	±1.0 dB	±1.0 dB	±0.7 dB	±0.7 dB	±0.5 dB	±0.5 dB
Power Handling						
Average	400W	400W	400W	400W	400W	400W
Peak	3 kW	3 kW	3 kW	3 kW	5 kW	5 kW
Directivity						
2-8 GHz	12 dB	12 dB	-	-	16 dB	16 dB
8-15 GHz	12 dB	12 dB	12 dB	12 dB	-	-
15-18 GHz	10 dB	10 dB	10 dB	10 dB	-	-
Insertion Loss (Max.)	0.5 dB	0.5 dB	0.5 dB	0.5 dB	0.25 dB	0.25 dB
VSWR (Max.)						
Mainline	1.4:1	1.4:1	1.4:1	1.4:1	1.3:1	1.3:1
Branch Line	1.6:1	1.6:1	1.6:1	1.6:1	1.4:1	1.4:1
Connectors						
Mainline Input	N Male	TNC Male	N Male	TNC Male	N Male	TNC Male
Mainline Output	N Female	TNC Female	N Female	TNC Female	N Female	TNC Female
Coupled Output	N Female	SMA Female	N Female	SMA Female	N Female	SMA Female

NOTES: See page 303 for 1 kW CW SC connector model

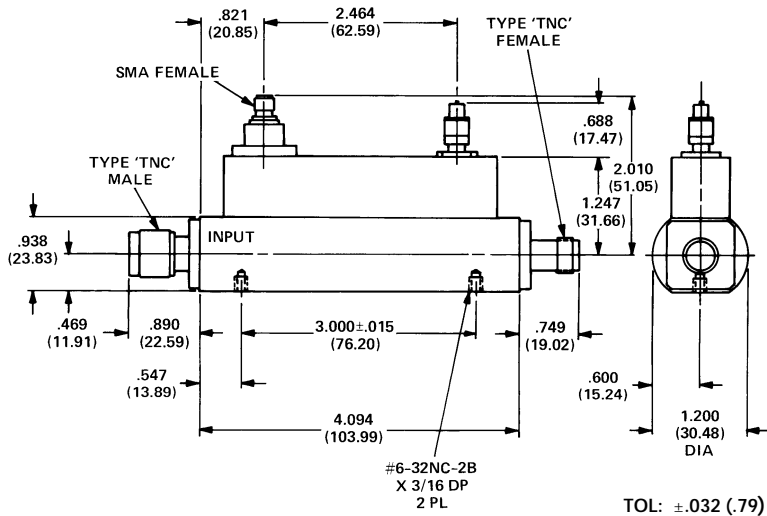
See pages 12-21 for High Power Wireless Band (820-2200 MHz) Directional Couplers

# Couplers

## OUTLINE DRAWINGS



MODELS 27000, 27001A, 27002



MODELS 27003, 27004A, 27005

Dimensions in parentheses are in millimeters and for reference only.