

Resistance Weld Thru-Hole Crystal



Model: HC49SLF

RoHS Compliant / Pb Free

Rev. 5/2/2013

Page 1 of 2

http://www.foxonline.com/need_a_sample.htm

Need a
Sample®

FEATURES

- Low Cost
- Stocking Standard (see page 2)
- Fundamental to 40 MHz
- Resistance Weld

OPTIONS

- Tolerances to 10 PPM
- Stabilities to 5 PPM
- Temperatures to -55°C ~ +125°C
- 2.5mm Height Max (HC49SSLF)

• PART NUMBER [Learn More](#) - Internet Required

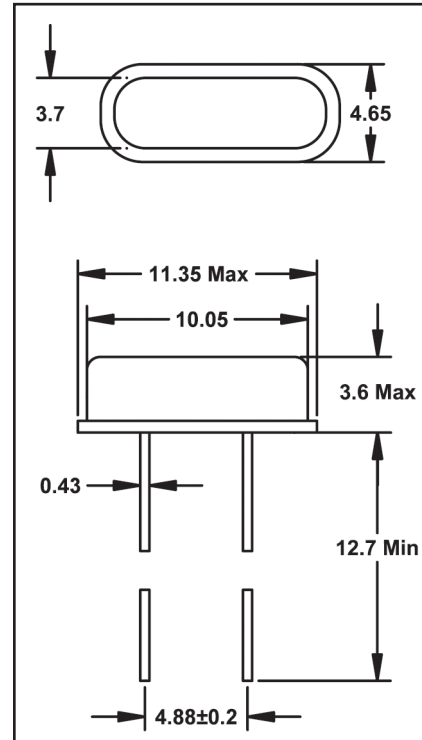
Part Number	Model Number	Frequency Range (MHz)
277LF-Frequency-xxxxx	HC49SLF	3.200 ~ 80.000

• STANDARD SPECIFICATIONS¹

PARAMETERS	MAX (unless otherwise noted)
Frequency Range	3.200 ~ 80.000 MHz
Frequency Tolerance @ 25°C	±50 PPM ^{1,3}
Frequency Stability, ref @ 25°C	±50 PPM ¹
Temperature Range	
Operating (TOPR)	-20°C ~ +70°C ²
Storage (TSTG)	-40°C ~ +125°C
Shunt Capacitance (Co)	7pF
Load Capacitance (CL)	10 pF ~ Series (Customer Specified)
Drive Level	100uW
Aging per year	±3 PPM
Maximum Soldering Temp / Time	260°C / 10 Seconds
Moisture Sensitivity Level (MSL)	1
Termination Finish:	Sn/Ag/Cu

¹ Other tolerances, stabilities available. Consult Fox Customer Service for specific requirements.
² Operating temperature ranges to -55°C ~ +125°C available.
³ Crystal has a ±30ppm tolerance specification for all standard part numbers. These part numbers are listed on page 2 of this datasheet.

Note: Dimensional drawing is for reference to critical specifications defined by size measurements. Certain non-critical visual attributes, such as side castellations, etc. may vary. All specifications subject to change without notice.



All dimensions are in millimeters.

TERMINATION FINISH: Sn/3.0Ag/0.5Cu

Frequency Range (MHz)	Operating Mode	Max ESR Ω
3.200 ~ 3.500	Fundamental	300
3.500+ ~ 4.000	Fundamental	200
4.000+ ~ 5.000	Fundamental	150
5.000+ ~ 6.000	Fundamental	120
6.000+ ~ 7.000	Fundamental	100
7.000+ ~ 9.000	Fundamental	80
9.000+ ~ 13.000	Fundamental	60
13.000+ ~ 20.000	Fundamental	40
20.000+ ~ 40.000	Fundamental	30
27.000 ~ 70.000	3rd OT	100
70.000+ ~ 80.000	3rd OT	80

Resistance Weld Thru-Hole Crystal



Model: HC49SLF

RoHS Compliant / Pb Free

Rev. 5/2/2013

Page 2 of 2

http://www.foxonline.com/need_a_sample.htm



• FOX STANDARD SPECIFICATIONS	
PARAMETER	HC49SLF
Frequency Tolerance @ 25°C	±30PPM
Frequency Stability	±50PPM
Operating Temperature Range	-20°C ~ +70°C

All specifications subject to change without notice.

• HC49SLF Standard Crystals			
Frequency	CL	HC49SLF Part Number	ESR Ω Max
3.579545	18pF	FOXSLF/036S	200
3.686400	Series	FOXSLF/0368S	200
3.686400	20pF	FOXSLF/0368-20	200
4.000000	Series	FOXSLF/040A	150
4.000000	20pF	FOXSLF/040	150
7.372800	20pF	FOXSLF/073-20	80
8.000000	Series	FOXSLF/080	80
8.000000	20pF	FOXSLF/080-20	80
10.000000	20pF	FOXSLF/100-20	60
11.059200	Series	FOXSLF/115	60
11.059200	20pF	FOXSLF/115-20	60
12.000000	Series	FOXSLF/120	60
12.000000	20pF	FOXSLF/120-20	60
14.745600	20pF	FOXSLF/147-20	40
16.000000	Series	FOXSLF/160	40
16.000000	20pF	FOXSLF/160-20	40
18.432000	20pF	FOXSLF/184-20	40
20.000000	Series	FOXSLF/200	30
20.000000	20pF	FOXSLF/200-20	30
25.000000	20pF	FOXSLF/250F-20 (Fundamental)	30