

New Jersey Semi-Conductor Products, Inc.

20 STERN AVE.
 SPRINGFIELD, NEW JERSEY 07081
 U.S.A.

TELEPHONE: (201) 376-2922
 (212) 227-6005
 FAX: (201) 376-8960

PARAMETERS

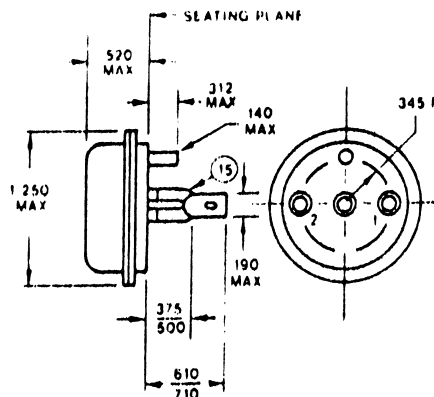
2N1100
 GE PNP POWER BJT

Description: Ge PNP Power BJT

Ic Max. (A).....	15
Vbr CEO.....	150
Vbr CBO.....	100
Max. PD (W).....	30
Derate Above 25xC.....	1.2G
Min hFE.....	25
Max. hFE.....	50
@Ic (test) (A).....	5.0
@VCE (V).....	2.0
Trans. Freq (Hz) Min.....	10k
Icbo Max. @Vcb Max. (A).....	8.0m
R(sat) (j).....	58m
Tr Max. (s).....	15u
t(f) Max. (S).....	15u
Oper. Temp (xC) Max.....	100u
Pkg Style.....	TO-36
Pinout Equivalence Number.....	3-14
Surface Mounted Yes/No.....	NO

Junction Temperature \$ IE G Derating Begins at 75xC k C(re)

TO-36



dim. in in.



Quality Semi-Conductors