

Features

Parameter	Value
BV_{CEO}	60 V
I_C (max)	0.6 A
H_{FE} at 10 V - 150 mA	> 100

- Linear gain characteristics
- Hermetic packages
- ESCC and JANS qualified
- European preferred part list EPPL

Description

The 2N2907AHR is a silicon planar PNP transistor specifically designed and housed in hermetic packages for aerospace and Hi-Rel applications. It is available in the JAN qualification system (MIL-PRF19500 compliance) and in the ESCC qualification system (ESCC 5000 compliance). In case of discrepancies between this datasheet and the relevant agency specification, the latter takes precedence.

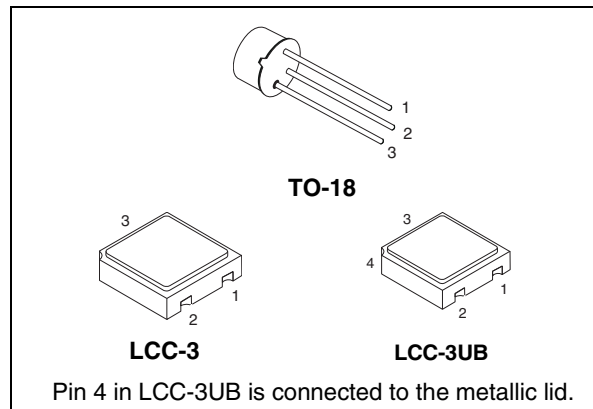


Figure 1. Internal schematic diagram

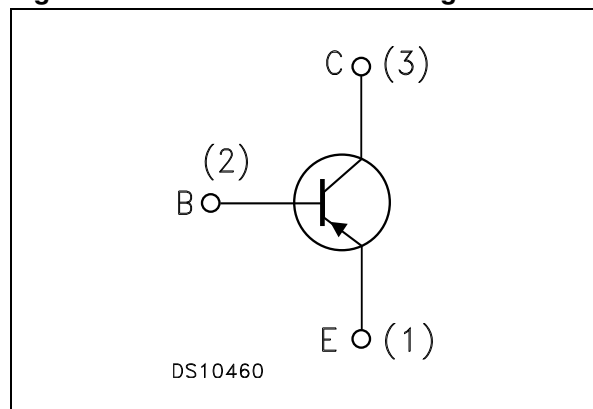


Table 1. Device summary⁽¹⁾

Order codes	Qualification	Agency spec.	Package	Radiation level	EPPL
JANS2N2907A	JANS	MIL-PRF-19500/291	LCC-3UB	-	-
2N2907AUB	ESCC	5201/001	LCC-3UB		Yes
SOC2907A			LCC-3		Yes
2N2907AHR			TO-18		-

1. Contact ST sales office for information about the specific conditions for products in die form and other JAN quality levels.

Contents

1	Electrical ratings	3
2	Electrical characteristics	4
2.1	JANS electrical characteristics	4
2.2	ESCC electrical characteristics	5
2.3	Electrical characteristics (curves)	6
2.4	Test circuits	7
3	Package mechanical data	9
4	Order codes	14
5	Shipping details	14
5.1	Data code	14
5.2	Documentation	15
6	Revision history	16

1 Electrical ratings

Table 2. Absolute maximum ratings

Symbol	Parameter	Value	Unit
V_{CBO}	Collector-base voltage ($I_E = 0$)	-60	V
V_{CEO}	Collector-emitter voltage ($I_B = 0$)	-60	V
V_{EBO}	Emitter-base voltage ($I_C = 0$)	-5	V
I_C	Collector current		
	for TO-18 for LCC-3 and LCC-3UB	-0.6 -0.5	A A
P_{TOT}	Total dissipation at $T_{amb} \leq 25\text{ °C}$		W
	ESCC: TO-18	0.4	
	LCC-3 and LCC-3UB	0.4	
	LCC-3 and LCC-3UB ⁽¹⁾	0.73	
JANS: LCC-3UB	0.5		
Total dissipation at $T_{case} \leq 25\text{ °C}$			
ESCC: TO-18	1.8		
Total dissipation at $T_{sp(1S)} = 25\text{ °C}$		1	
JANS: LCC-3UB			
T_{stg}	Storage temperature	-65 to 200	°C
T_J	Max. operating junction temperature	200	°C

1. When mounted on a 15 x 15 x 0.6 mm ceramic substrate.

Table 3. Thermal data

Symbol	Parameter	LCC-3 LCC-3UB	TO-18	Unit
R_{thJC}	Thermal resistance junction-case (max) for JANS	-	-	°C/W
	Thermal resistance junction-case (max) for ESCC	-	97	
$R_{thJSP(1S)}$	Thermal resistance junction-solder pad (infinite sink) (max) for JANS	90	-	
	Thermal resistance junction-solder pad (infinite sink) (max) for ESCC	-	-	
R_{thJA}	Thermal resistance junction-ambient (max) for JANS	325	-	
	Thermal resistance junction-ambient (max) for ESCC	437 240 ⁽¹⁾	437	

1. When mounted on a 15 x 15 x 0.6 mm ceramic substrate.

2 Electrical characteristics^(a)

JANS and ESCC version of the products are assembled and tested in compliance with the agency specification it is qualified in. The electrical characteristics of each version are provided in dedicated tables.

T_{case} = 25 °C unless otherwise specified.

2.1 JANS electrical characteristics

Table 4. JANS electrical characteristics

Symbol	Parameter	Test conditions	Min.	Typ.	Max.	Unit
I _{CBO}	Collector cut-off current (I _E = 0)	V _{CB} = 60 V V _{CB} = 50 V V _{CB} = 50 V T _{amb} = 150 °C		-	10 10 10	μA nA μA
I _{CES}	Collector cut-off current (I _E = 0)	V _{CE} = 50 V		-	50	nA
I _{EBO}	Emitter cut-off current (I _C = 0)	V _{EB} = 5 V V _{EB} = 4 V		-	10 50	μA nA
V _{(BR)CEO} ⁽¹⁾	Collector-emitter breakdown voltage (I _B = 0)	I _C = 10 mA	60	-		V
V _{CE(sat)} ⁽¹⁾	Collector-emitter saturation voltage	I _C = 150 mA I _B = 15 mA I _C = 500 mA I _B = 50 mA		-	0.4 1.6	V V
V _{BE(sat)} ⁽¹⁾	Base-emitter saturation voltage	I _C = 150 mA I _B = 15 mA I _C = 500 mA I _B = 50 mA	0.6		1.3 2.6	V
h _{FE} ⁽¹⁾	DC current gain	I _C = 0.1 mA V _{CE} = 10 V I _C = 1 mA V _{CE} = 10 V I _C = 10 mA V _{CE} = 10 V I _C = 150 mA V _{CE} = 10 V I _C = 500 mA V _{CE} = 10 V I _C = 10 mA V _{CE} = 10 V T _{amb} = -55 °C	75 100 100 100 50 50	-	450 300	
h _{fe}	Small signal current gain	V _{CE} = 20 V I _C = 20 mA f = 100 MHz V _{CE} = 10 V I _C = 1 mA f = 1 kHz	2 100	-		
C _{obo}	Output capacitance (I _E = 0)	V _{CB} = 10 V 100 kHz ≤ f ≤ 1 MHz		-	8	pF

a. For PNP type, voltage and current values are negative.

Table 4. JANS electrical characteristics (continued)

Symbol	Parameter	Test conditions	Min.	Typ.	Max.	Unit
C_{ibo}	Output capacitance ($I_E = 0$)	$V_{EB} = 2\text{ V}$ $100\text{ kHz} \leq f \leq 1\text{ MHz}$		-	30	pF
t_{on}	Turn-on time	$V_{CC} = 30\text{ V}$ $I_C = 150\text{ mA}$ $I_{B1} = 15\text{ mA}$		-	45	ns
t_{off}	Turn-off time	$V_{CC} = 30\text{ V}$ $I_C = 150\text{ mA}$ $I_{B1} = -I_{B2} = 15\text{ mA}$		-	300	ns

1. Pulsed duration = 300 μs , duty cycle $\leq 2\%$

2.2 ESCC electrical characteristics

Table 5. ESCC electrical characteristics

Symbol	Parameter	Test conditions	Min.	Typ.	Max.	Unit
I_{CBO}	Collector cut-off current ($I_E = 0$)	$V_{CB} = 50\text{ V}$ $V_{CB} = 50\text{ V}$ $T_{amb} = 150\text{ }^\circ\text{C}$		-	10 10	nA μA
$V_{(BR)CBO}$	Collector-base breakdown voltage ($I_E = 0$)	$I_C = 10\text{ }\mu\text{A}$	60	-		V
$V_{(BR)CEO}^{(1)}$	Collector-emitter breakdown voltage ($I_B = 0$)	$I_C = 10\text{ mA}$	60	-		V
$V_{(BR)EBO}$	Emitter-base breakdown voltage ($I_C = 0$)	$I_E = 10\text{ }\mu\text{A}$	5	-		V
$V_{CE(sat)}^{(1)}$	Collector-emitter saturation voltage	$I_C = 150\text{ mA}$ $I_B = 15\text{ mA}$		-	0.4	V
$V_{BE(sat)}^{(1)}$	Base-emitter saturation voltage	$I_C = 150\text{ mA}$ $I_B = 15\text{ mA}$		0.87	1.3	V
$h_{FE}^{(1)}$	DC current gain	$I_C = 0.1\text{ mA}$ $V_{CE} = 10\text{ V}$ $I_C = 10\text{ mA}$ $V_{CE} = 10\text{ V}$ $I_C = 150\text{ mA}$ $V_{CE} = 10\text{ V}$ $I_C = 500\text{ mA}$ $V_{CE} = 10\text{ V}$	75 100 100 50	-	300	
h_{fe}	Small signal current gain	$V_{CE} = 20\text{ V}$ $I_C = 20\text{ mA}$ $f = 100\text{ MHz}$	2	-		
C_{obo}	Output capacitance ($I_E = 0$)	$V_{CB} = 10\text{ V}$ $100\text{ kHz} \leq f \leq 1\text{ MHz}$		-	8	pF
t_{on}	Turn-on time	$V_{CC} = 30\text{ V}$ $I_C = 150\text{ mA}$ $I_{B1} = 15\text{ mA}$		-	45	ns
t_{off}	Turn-off time	$V_{CC} = 30\text{ V}$ $I_C = 150\text{ mA}$ $I_{B1} = -I_{B2} = 15\text{ mA}$		-	300	ns

1. Pulsed duration = 300 μs , duty cycle $\leq 2\%$

2.3 Electrical characteristics (curves)

Figure 2. DC current gain ($V_{CE}=1\text{ V}$)

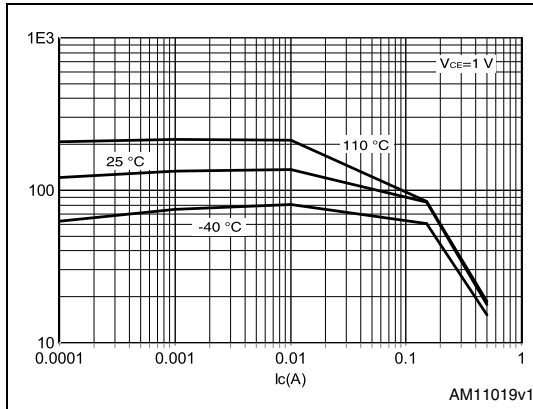


Figure 3. DC current gain ($V_{CE}=10\text{ V}$)

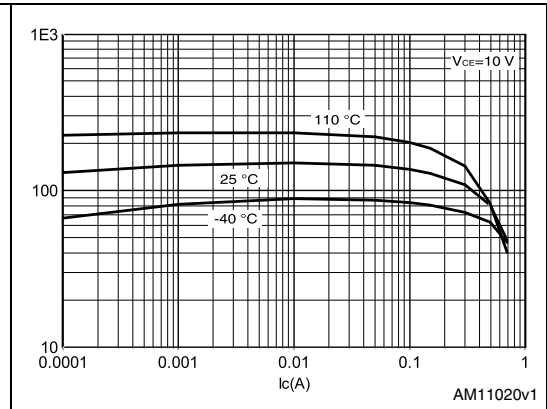


Figure 4. Collector emitter saturation voltage

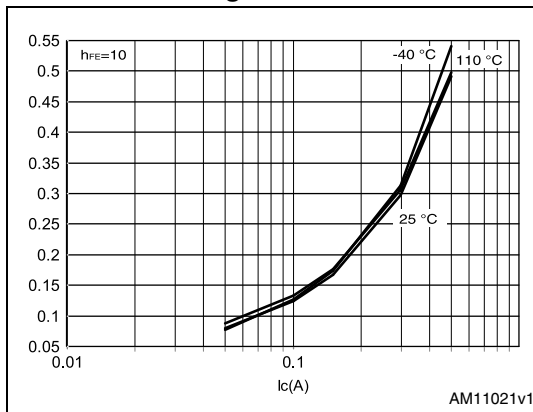
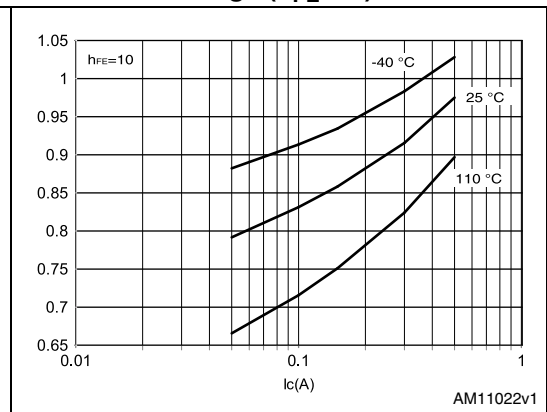


Figure 5. Base emitter saturation voltage ($h_{FE}=10$)



2.4 Test circuits

Figure 6. JANS saturated turn-on switching time test circuit

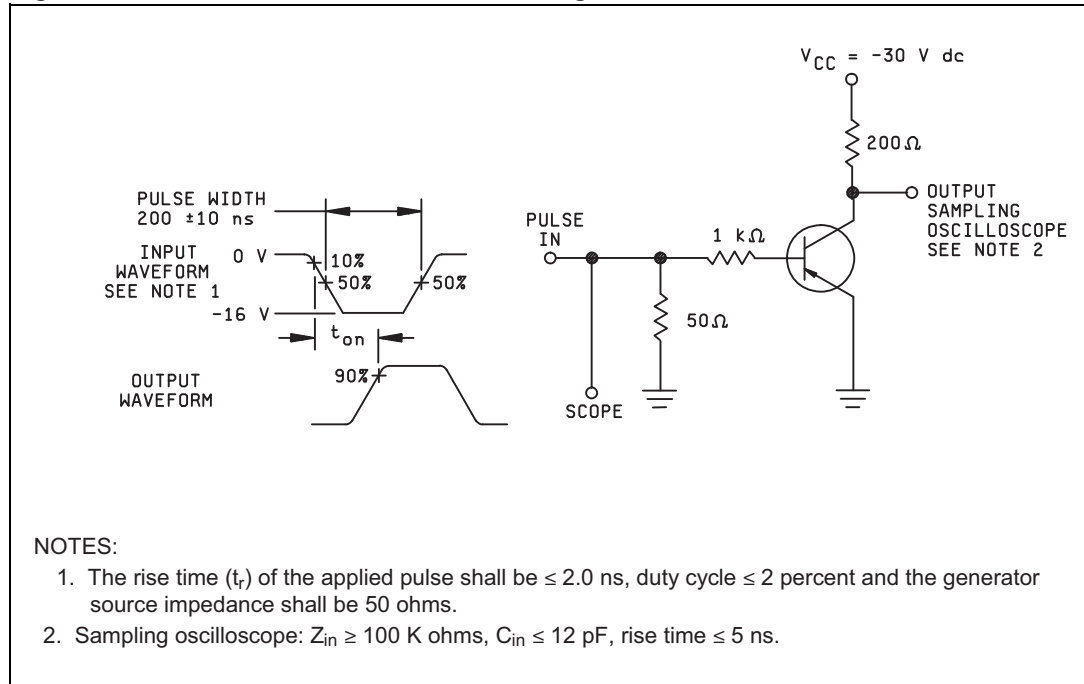


Figure 7. JANS saturated turn-off switching time test circuit

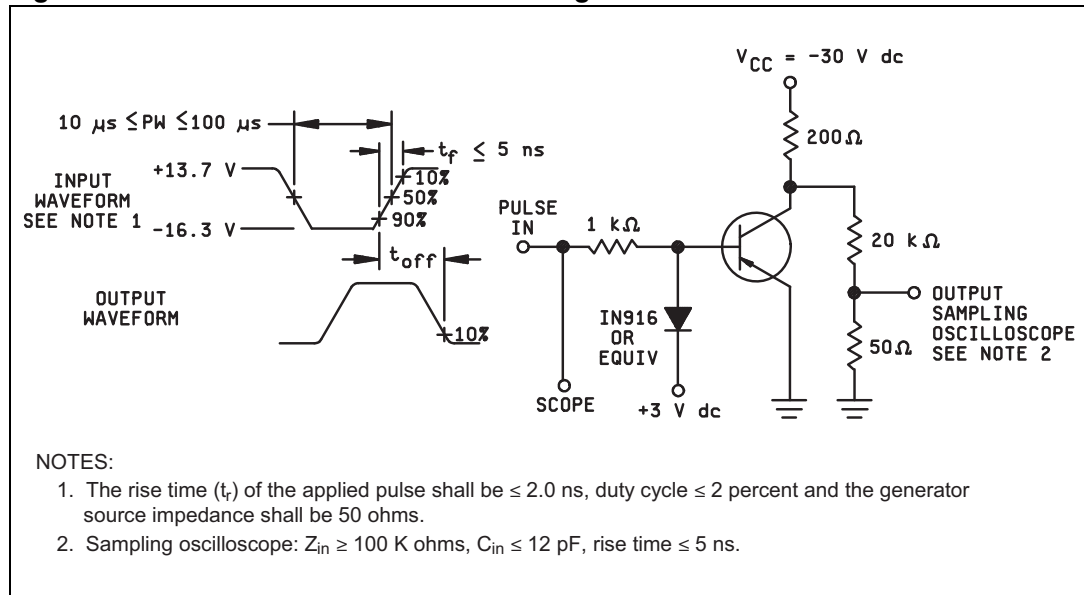
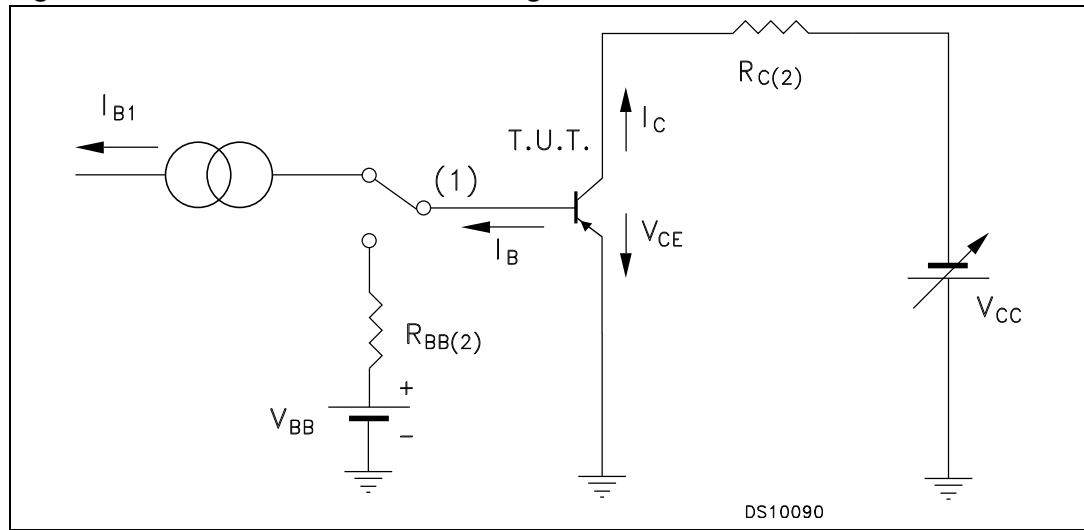


Figure 8. ESCC resistive load switching test circuit



1. Fast electronic switch
2. Non-inductive resistor

3 Package mechanical data

In order to meet environmental requirements, ST offers these devices in different grades of ECOPACK® packages, depending on their level of environmental compliance. ECOPACK® specifications, grade definitions and product status are available at: www.st.com. ECOPACK® is an ST trademark.

Table 6. Product mass summary

Package	Mass (g)
LCC-3UB	0.06
LCC-3	0.06
TO-18	0.40

Table 7. LCC-3UB mechanical data

Dim.	mm.		
	Min.	Typ.	Max.
A	1.16		1.42
C	0.46	0.51	0.56
D	0.56	0.76	0.96
E	0.92	1.02	1.12
F	1.95	2.03	2.11
G	2.92	3.05	3.18
I	2.41	2.54	2.67
J	0.42	0.57	0.72
K	1.37	1.52	1.67
L	0.41	0.51	0.61
M	2.46	2.54	2.62
N	1.81	1.91	2.01
r		0.20	
r1		0.30	
r2		0.56	

Figure 9. LCC-3UB drawings

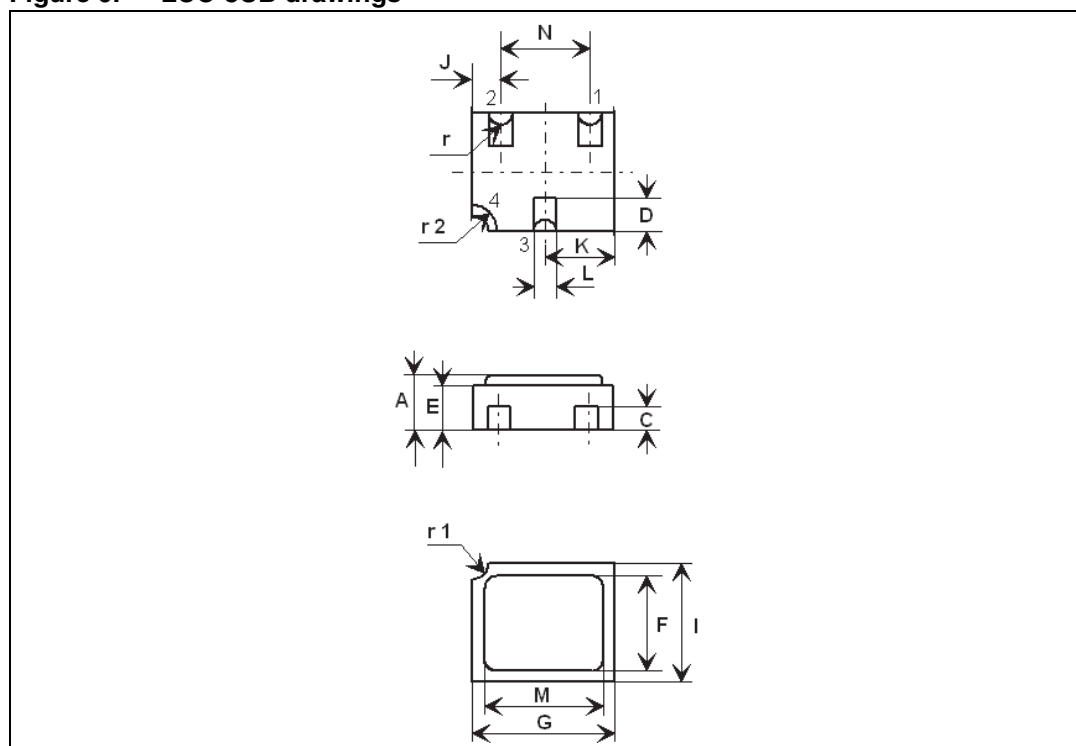


Table 8. LCC-3 mechanical data

Dim.	mm.		
	Min.	Typ.	Max.
A	1.16		1.42
C	0.45	0.50	0.56
D	0.60	0.76	0.91
E	0.91	1.01	1.12
F	1.95	2.03	2.11
G	2.92	3.05	3.17
I	2.41	2.54	2.66
J	0.42	0.57	0.72
K	1.37	1.52	1.67
L	0.40	0.50	0.60
M	2.46	2.54	2.62
N	1.80	1.90	2.00
R		0.30	

Figure 10. LCC-3 drawings

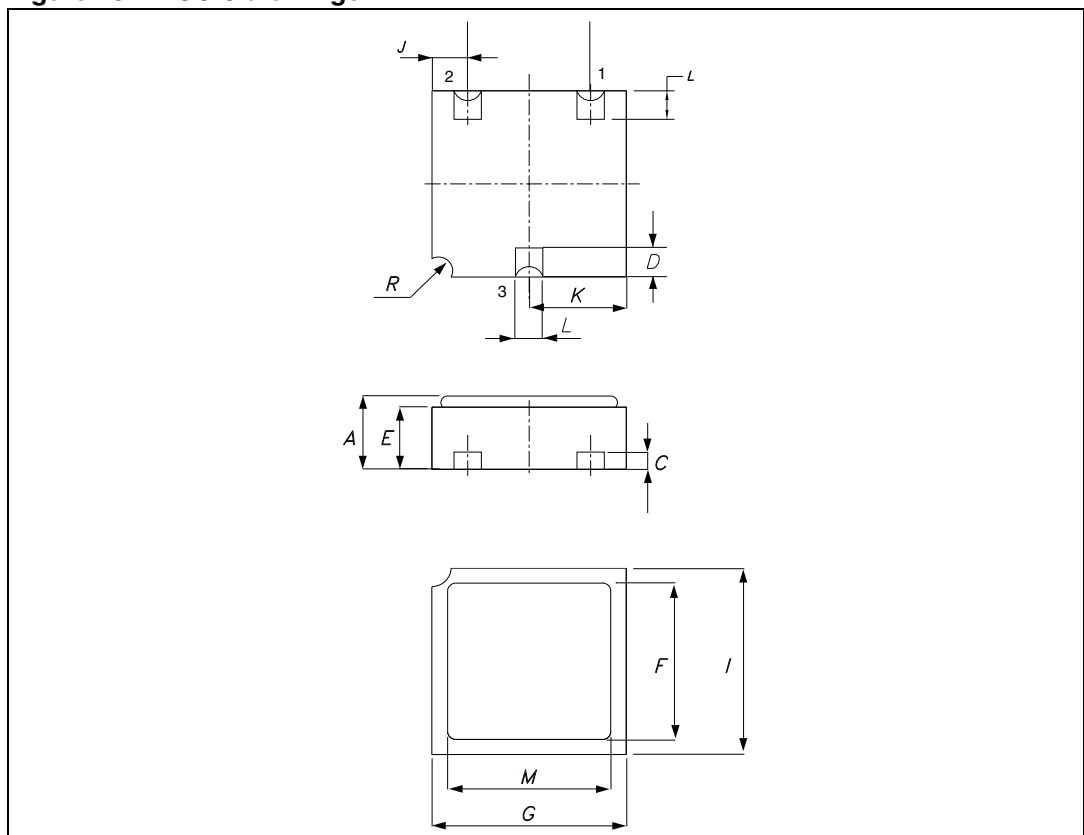
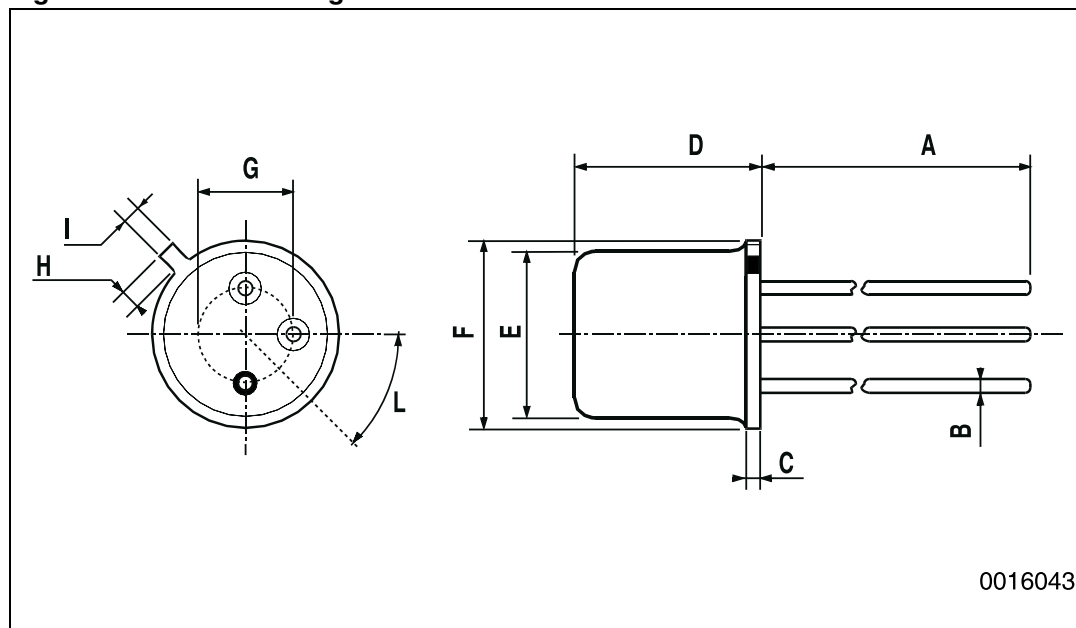


Table 9. TO-18 mechanical data

Dim.	mm.		
	Min.	Typ.	Max.
A		12.7	
B			0.49
D			5.3
E			4.9
F			5.8
G	2.54		
H			1.2
I			1.16
L	45°		

Figure 11. TO-18 drawings



4 Order codes

Table 10. Order codes

Part number	Agency specification	EPPL	Quality level	Radiation level	Package	Lead Finish	Marking ⁽¹⁾	Packing
J2N2907AUB1	-	-	Engineering model JANS	-	LCC-3UB	Gold	J2N2907A	Waffle pack
2N2907AUB1		-	Engineering model ESCC		LCC-3UB	Gold	U03	Waffle pack
SOC2907A		-	Engineering model ESCC		LCC-3	Gold	P03	Waffle pack
JANS2N2907AUBG	MIL-PRF-19500/291	-	JANS flight		LCC-3UB	Gold	JS2907	Waffle pack
JANS2N2907AUBT	MIL-PRF-19500/291	-			LCC-3UB	Solder Dip	JS2907	Waffle pack
2N2907AUB06	5202/001/06	Yes	ESCC flight		LCC-3UB	Gold	520200106	Waffle pack
2N2907AUB07	5202/001/07	Yes			LCC-3UB	Solder Dip	520200107	Waffle pack
SOC2907AHRB	5202/001/04 or 05 ⁽²⁾	Yes			LCC-3	Gold or Solder Dip ⁽²⁾	520200104 or 05 ⁽²⁾	Waffle pack
2N2907AHR	5202/001/01 or 02 ⁽²⁾	-			TO-18	Gold or Solder Dip ⁽²⁾	520200101 or 02 ⁽²⁾	Strip pack

1. Specific marking only. The full marking includes in addition:

For the engineering models : ST logo, date code, country of origin (FR).

For ESCC flight parts : ST logo, date code, country of origin (FR), ESA logo, serial number of the part within the assembly lot.

For JANS flight parts : ST logo, date code, country of origin (FR), manufacturer code (CSTM), serial number of the part within the assembly lot.

2. Depending ESCC part number mentioned on the purchase order.

Contact ST sales office for information about the specific conditions for:

- Products in die form
- Other JANS quality levels
- Tape and reel packing

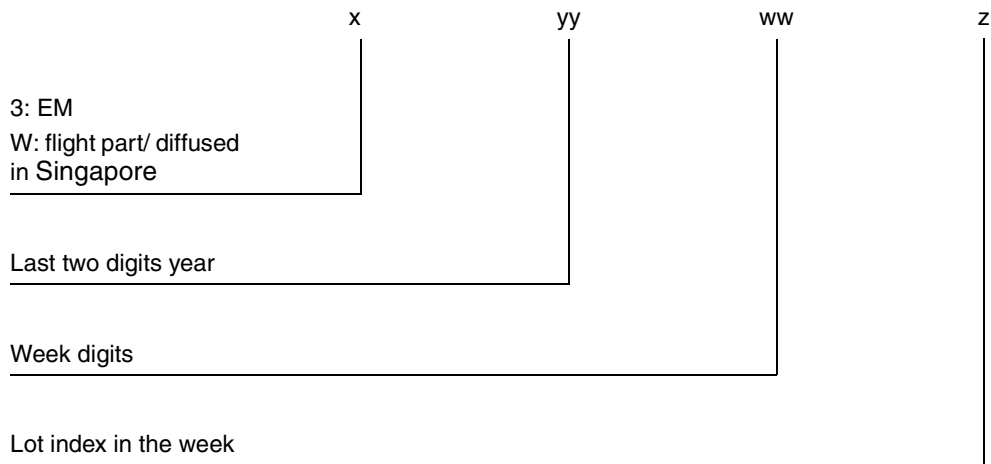
5 Shipping details

5.1 Data code

Data code is structured as described below:

- EM (ESCC and JANS) xyywwz
- ESCC Flight yywwz
- JANS Flight xyywwz

where:



5.2 Documentation

Table 11. Documentation provided for each type of product

Quality level	Radiation level	Documentation
Engineering model	-	-
JANS Flight	-	Certificate of conformance
ESCC Flight	-	Certificate of conformance

6 Revision history

Table 12. Document revision history

Date	Revision	Changes
09-Feb-2009	1	Initial release
30-Nov-2011	2	<ul style="list-style-type: none"> – Modified Table 1 on page 1 – Minor text changes in the document title and description on the coverpage
14-May-2012	3	<p>New package inserted (LCC-3UB).</p> <p>Updated:</p> <ul style="list-style-type: none"> – Table 1: Device summary, Table 2: Absolute maximum ratings and Table 3: Thermal data. – Section 2: Electrical characteristics and Section 3: Package mechanical data. <p>Added:</p> <ul style="list-style-type: none"> – Section 4: Order codes and Section 5: Shipping details.

Please Read Carefully:

Information in this document is provided solely in connection with ST products. STMicroelectronics NV and its subsidiaries ("ST") reserve the right to make changes, corrections, modifications or improvements, to this document, and the products and services described herein at any time, without notice.

All ST products are sold pursuant to ST's terms and conditions of sale.

Purchasers are solely responsible for the choice, selection and use of the ST products and services described herein, and ST assumes no liability whatsoever relating to the choice, selection or use of the ST products and services described herein.

No license, express or implied, by estoppel or otherwise, to any intellectual property rights is granted under this document. If any part of this document refers to any third party products or services it shall not be deemed a license grant by ST for the use of such third party products or services, or any intellectual property contained therein or considered as a warranty covering the use in any manner whatsoever of such third party products or services or any intellectual property contained therein.

UNLESS OTHERWISE SET FORTH IN ST'S TERMS AND CONDITIONS OF SALE ST DISCLAIMS ANY EXPRESS OR IMPLIED WARRANTY WITH RESPECT TO THE USE AND/OR SALE OF ST PRODUCTS INCLUDING WITHOUT LIMITATION IMPLIED WARRANTIES OF MERCHANTABILITY, FITNESS FOR A PARTICULAR PURPOSE (AND THEIR EQUIVALENTS UNDER THE LAWS OF ANY JURISDICTION), OR INFRINGEMENT OF ANY PATENT, COPYRIGHT OR OTHER INTELLECTUAL PROPERTY RIGHT.

UNLESS EXPRESSLY APPROVED IN WRITING BY TWO AUTHORIZED ST REPRESENTATIVES, ST PRODUCTS ARE NOT RECOMMENDED, AUTHORIZED OR WARRANTED FOR USE IN MILITARY, AIR CRAFT, SPACE, LIFE SAVING, OR LIFE SUSTAINING APPLICATIONS, NOR IN PRODUCTS OR SYSTEMS WHERE FAILURE OR MALFUNCTION MAY RESULT IN PERSONAL INJURY, DEATH, OR SEVERE PROPERTY OR ENVIRONMENTAL DAMAGE. ST PRODUCTS WHICH ARE NOT SPECIFIED AS "AUTOMOTIVE GRADE" MAY ONLY BE USED IN AUTOMOTIVE APPLICATIONS AT USER'S OWN RISK.

Resale of ST products with provisions different from the statements and/or technical features set forth in this document shall immediately void any warranty granted by ST for the ST product or service described herein and shall not create or extend in any manner whatsoever, any liability of ST.

ST and the ST logo are trademarks or registered trademarks of ST in various countries.

Information in this document supersedes and replaces all information previously supplied.

The ST logo is a registered trademark of STMicroelectronics. All other names are the property of their respective owners.

© 2012 STMicroelectronics - All rights reserved

STMicroelectronics group of companies

Australia - Belgium - Brazil - Canada - China - Czech Republic - Finland - France - Germany - Hong Kong - India - Israel - Italy - Japan - Malaysia - Malta - Morocco - Philippines - Singapore - Spain - Sweden - Switzerland - United Kingdom - United States of America

www.st.com