

NPN 2N3019 – 2N3020

SILICON PLANAR EPITAXIAL TRANSISTORS

The 2N3019 and 2N3020 are NPN transistors mounted in TO-39 metal case .
They are intended for high-current, high-frequency amplifier applications.
They feature high gain and low saturation voltages.
Compliance to RoHS

ABSOLUTE MAXIMUM RATINGS

Symbol	Ratings		Value	Unit
V_{CEO}	Collector-Emitter Voltage	2N3019	80	V
		2N3020		
V_{CBO}	Collector-Base Voltage	2N3019	140	V
		2N3020		
V_{EBO}	Emitter-Base Voltage	2N3019	7	V
		2N3020		
I_C	Collector Current	2N3019	1	A
		2N3020		
P_D	Total Power Dissipation	@ $T_{amb} = 25^\circ$	0.8	Watts
		2N3019		
P_D	Total Power Dissipation	@ $T_{case} = 25^\circ$	5	
		2N3019		
T_J	Junction Temperature	2N3019	200	$^\circ C$
		2N3020		
T_{Stg}	Storage Temperature range	2N3019	-65 to +200	$^\circ C$
		2N3020		

THERMAL CHARACTERISTICS

Symbol	Ratings		Value	Unit
R_{thJ-a}	Thermal Resistance, Junction to ambient in free air	2N3019	35	$^\circ C/W$
		2N3020		
R_{thJ-c}	Thermal Resistance, Junction to case	2N3019	219	$^\circ C/W$
		2N3020		

NPN 2N3019 – 2N3020

ELECTRICAL CHARACTERISTICS

TC=25°C unless otherwise noted

Symbol	Ratings	Test Condition(s)	Min	Typ	Max	Unit	
I_{CBO}	Collector Cutoff Current	$V_{CB}=950\text{ V}$ $I_E=0$	2N3019 2N3020	-	-	10	nA
		$V_{CB}=90\text{ V}$, $I_E=0$ $T_J=150^\circ\text{C}$	2N3019 2N3020	-	-	10	μA
I_{EBO}	Emitter Cutoff Current	$V_{EB}=5\text{ V}$ $I_C=0$	2N3019 2N3020	-	-	10	nA
V_{CEO}	Collector Emitter Breakdown Voltage	$I_C=10\text{ mA}$ $I_B=0$	2N3019 2N3020	80	-	-	V
V_{CBO}	Collector Base Breakdown Voltage	$I_C=100\text{ }\mu\text{A}$ $I_E=0$	2N3019 2N3020	140	-	-	V
V_{EBO}	Emitter Base Breakdown Voltage	$I_E=100\text{ }\mu\text{A}$ $I_C=0$	2N3019 2N3020	7	-	-	V
h_{FE}	DC Current Gain (*)	$I_C=0.1\text{ mA}$ $V_{CE}=10\text{ V}$	2N3019 2N3020	50 30	-	- 100	-
		$I_C=10\text{ mA}$ $V_{CE}=10\text{ V}$	2N3019 2N3020	90 40	-	- 120	
		$I_C=150\text{ mA}$ $V_{CE}=10\text{ V}$	2N3019 2N3020	100 40	-	300 120	
		$I_C=500\text{ mA}$ $V_{CE}=10\text{ V}$	2N3019 2N3020	50 30	-	- 100	
		$I_C=1\text{ A}$ $V_{CE}=10\text{ V}$	2N3019 2N3020	15	-	-	
		$I_C=150\text{ mA}$ $V_{CE}=10\text{ V}$ $T_{amb} = -55^\circ\text{C}$	2N3019	40	-	-	
		$V_{CE(SAT)}$	Collector-Emitter saturation Voltage (*)	$I_C=150\text{ mA}$ $I_B=15\text{ mA}$	2N3019 2N3020	-	
		$I_C=500\text{ mA}$ $I_B=50\text{ mA}$	2N3019 2N3020	-	-	0.5	
$V_{BE(SAT)}$	Base-Emitter saturation Voltage (*)	$I_C=150\text{ mA}$ $I_B=15\text{ mA}$	2N3019	-	-	1.1	

NPN 2N3019 – 2N3020

ELECTRICAL CHARACTERISTICS

TC=25°C unless otherwise noted

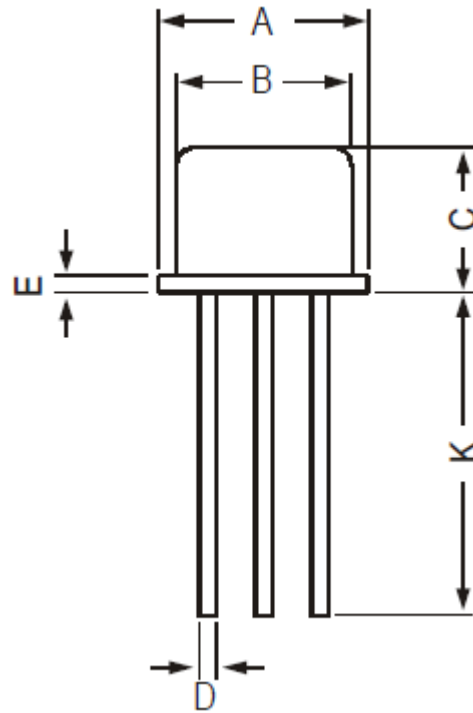
Symbol	Ratings	Test Condition(s)	Min	Typ	Max	Unit	
f_T	Transition frequency	$I_C = 50 \text{ mA}$ $V_{CE} = 10 \text{ V}$ $f = 20 \text{ MHz}$	2N3019	100	-	-	MHz
			2N3020	80	-	-	
h_{fe}	Small Signal Current Gain	$I_C = 1 \text{ mA}$ $V_{CE} = 5 \text{ V}$ $f = 1 \text{ kHz}$	2N3019	80	-	400	-
			2N3020	30	-	200	
NF	Noise Figure	$I_C = 100 \mu\text{A}$ $V_{CE} = 10 \text{ V}$ $f = 1 \text{ kHz}$ $R_g = 1 \text{ k}\Omega$	2N3019	-	-	4	dB
C_{CBO}	Collector-Base capacitance	$I_E = 0$ $V_{CB} = 10 \text{ V}$ $f = 1 \text{ MHz}$	2N3019	-	-	12	pF
			2N3020				
C_{EBO}	Emitter-Base capacitance	$I_C = 0$ $V_{EB} = 0.5 \text{ V}$ $f = 1 \text{ MHz}$	2N3019	-	-	60	pF
			2N3020				
$r_{bb'}C_{b'c}$	Feedback Time Constant	$I_C = 10 \text{ mA}$ $V_{CE} = 10 \text{ V}$ $f = 4 \text{ MHz}$	2N3019	-	-	400	ps
			2N3020				

(*) Pulse conditions : $t_p < 300 \mu\text{s}$, $\delta = 2\%$

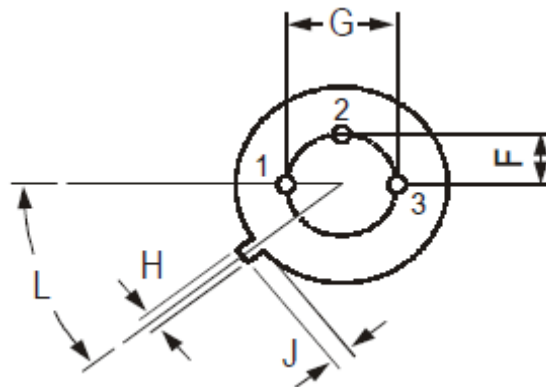
NPN 2N3019 – 2N3020

MECHANICAL DATA CASE TO-39

DIMENSIONS (mm)		
	min	max
A	8.50	9.39
B	7.74	8.50
C	6.09	6.60
D	0.40	0.53
E	-	0.88
F	2.41	2.66
G	4.82	5.33
H	0.71	0.86
J	0.73	1.02
K	12.70	-
L	42°	48°



Pin 1 :	Emitter
Pin 2 :	Base
Pin 3 :	Collector
Case :	Collector



Revised september 2012

Information furnished is believed to be accurate and reliable. However, Comset Semiconductors assumes no responsibility for the consequences of use of such information nor for any infringement of patents or other rights of third parties which may results from its use. Data are subject to change without notice. Comset Semiconductors makes no warranty, representation or guarantee regarding the suitability of its products for any particular purpose, nor does Comset Semiconductors assume any liability arising out of the application or use of any product and specifically disclaims any and all liability, including without limitation consequential or incidental damages. Comset Semiconductors' products are not authorized for use as critical components in life support devices or systems.