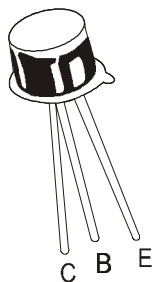


PNP SILICON PLANAR SWITCHING TRANSISTORS

2N3250, A/ 2N3251, A



**TO-18
Metal Can Package**

Designed for Small Signal, General Purpose and Switching Applications

ABSOLUTE MAXIMUM RATINGS

DESCRIPTION	SYMBOL	2N3250 2N3251	2N3250A 2N3251A	UNIT
Collector Emitter Voltage	V_{CEO}	40	60	V
Collector Base Voltage	V_{CBO}	50	60	V
Emitter Base Voltage	V_{EBO}	5		V
Collector Current Continuous	I_C	200		mA
Power Dissipation @ $T_a=25^\circ\text{C}$ Derate Above 25°C	P_D	360		mW
		2.06		mW/ $^\circ\text{C}$
Power Dissipation @ $T_c=25^\circ\text{C}$ Derate Above 25°C	P_D	1.2		W
		6.9		mW/ $^\circ\text{C}$
Operating And Storage Junction Temperature Range	T_j, T_{stg}	- 65 to +200		$^\circ\text{C}$

THERMAL RESISTANCE

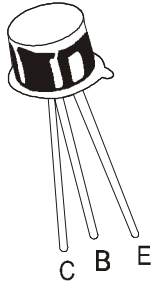
Junction to Ambient in free air	$R_{th(j-a)}$	490	$^\circ\text{C/W}$
Junction to Case	$R_{th(j-c)}$	150	$^\circ\text{C/W}$

ELECTRICAL CHARACTERISTICS ($T_a=25^\circ\text{C}$ unless specified otherwise)

DESCRIPTION	SYMBOL	TEST CONDITION	2N3250 2N3251	2N3250A 2N3251A	UNIT
Collector Emitter Voltage	$*V_{CEO}$	$I_C=10\text{mA}, I_B=0$	>40	>60	V
Collector Base Voltage	V_{CBO}	$I_C=10\mu\text{A}, I_E=0$	>50	>60	V
Emitter Base Voltage	V_{EBO}	$I_E=10\mu\text{A}, I_C=0$	>5		V
Collector Cutoff Current	I_{CEX}	$V_{CE}=40\text{V}, V_{BE}=3\text{V}$	<20		nA
Base Cutoff Current	I_{BL}	$V_{CE}=40\text{V}, V_{BE}=3\text{V}$	<50		nA

DESCRIPTION	SYMBOL	TEST CONDITION	MIN	MAX	UNIT
Collector Emitter Saturation Voltage	$*V_{CE(sat)}$	$I_C=10\text{mA}, I_B=1\text{mA}$		0.25	V
		$I_C=50\text{mA}, I_B=5\text{mA}$		0.5	V
Base Emitter Saturation Voltage	$*V_{BE(sat)}$	$I_C=10\text{mA}, I_B=1\text{mA}$	0.6	0.9	V
		$I_C=50\text{mA}, I_B=5\text{mA}$		1.2	V

***Pulse Test: Pulse Width $\leq 300\text{ms}$, Duty Cycle $\leq 2\%$**



TO-18
Metal Can Package

ELECTRICAL CHARACTERISTICS ($T_a=25^\circ\text{C}$ unless specified otherwise)

SMALL SIGNAL CHARACTERISTICS

DESCRIPTION	SYMBOL	TEST CONDITION	2N3250, A	2N3251, A	UNIT
DC Current Gain	$*h_{FE}$	$I_C=0.1\text{mA}, V_{CE}=1\text{V}$	>40	>80	
		$I_C=1\text{mA}, V_{CE}=1\text{V}$	>45	>90	
		$I_C=10\text{mA}, V_{CE}=1\text{V}$	50 - 150	100 - 300	
		$I_C=50\text{mA}, V_{CE}=1\text{V}$	>15	>30	

DYNAMIC CHARACTERISTICS

DESCRIPTION	SYMBOL	TEST CONDITION	2N3250, A	2N3251, A	UNIT
Small Signal Current Gain	h_{fe}	$V_{CE}=10\text{V}, I_C=1\text{mA},$ $f=1\text{KHz}$	50 - 200	100 - 400	
Input Impedence	h_{ie}	$V_{CE}=10\text{V}, I_C=1\text{mA},$ $f=1\text{KHz}$	1.0 - 6.0	2.0 - 12.0	$\text{K}\Omega$
Reverse Voltage Transfer Ratio	h_{re}	$V_{CE}=10\text{V}, I_C=1\text{mA},$ $f=1\text{KHz}$	<10	<20	$\times 10^{-4}$
Output Admittance	h_{oe}	$V_{CE}=10\text{V}, I_C=1\text{mA},$ $f=1\text{KHz}$	4 - 40	10 - 60	$\mu\Omega$
Noise Figure	NF	$V_{CE}=5\text{V}, I_C=0.1\text{mA},$ $R_S=1\text{K}\Omega, f=100\text{Hz}$	<6.0		dB
Transition Frequency	f_T	$I_C=10\text{mA}, V_{CE}=20\text{V},$ $f=100\text{MHz}$	>250	>300	MHz
Output Capacitance	C_{ob}	$V_{CB}=10\text{V}, I_E=0,$ $f=100\text{KHz}$	<6.0		pF
Input Capacitance	C_{ib}	$V_{EB}=1\text{V}, I_C=0,$ $f=100\text{KHz}$	<8.0		pF
Collector Base Time Constant	$r_b'C_C$	$I_C=10\text{mA}, V_{CE}=20\text{V},$ $f=31.8\text{MHz}$	<250		ps

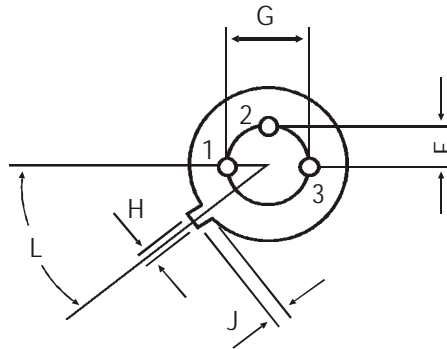
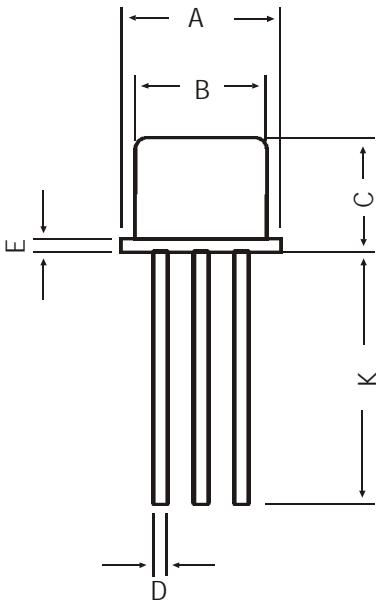
SWITCHING TIME

DESCRIPTION	SYMBOL	TEST CONDITION	2N3250, A	2N3251, A	UNIT
Delay Time	t_d	$V_{CC}=3\text{V}, V_{BE}=0.5\text{V},$	<35		ns
Rise Time	t_r	$I_C=10\text{mA}, I_{B1}=1\text{mA}$	<35		ns
Storage time	t_s	$V_{CC}=3\text{V}, I_C=10\text{mA},$	<175	<200	ns
Fall Time	t_f	$I_{B1}=I_{B2}=1\text{mA}$	<50		ns

*Pulse Test: Pulse Width $\leq 300\text{ms}$, Duty Cycle $\leq 2\%$

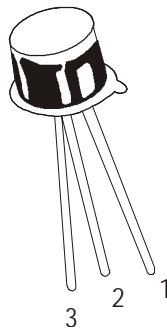
**TO-18
Metal Can Package**

TO-18 Metal Can Package



All dimensions in mm.

DIM	MIN	MAX
A	5.24	5.84
B	4.52	4.97
C	4.31	5.33
D	0.40	0.53
E	—	0.76
F	—	1.27
G	—	2.97
H	0.91	1.17
J	0.71	1.21
K	12.70	—
L	45 DEG	



PIN CONFIGURATION

1. EMITTER
2. BASE
3. COLLECTOR

Packing Detail

PACKAGE	STANDARD PACK		INNER CARTON BOX		OUTER CARTON BOX		
	Details	Net Weight/Qty	Size	Qty	Size	Qty	Gr Wt
TO-18	1K/polybag	350 gm/1K pcs	3" x 7.5" x 7.5"	5K	17" x 15" x 13.5"	80K	34 kgs

Disclaimer

The product information and the selection guides facilitate selection of the CDIL's Discrete Semiconductor Device(s) best suited for application in your product(s) as per your requirement. It is recommended that you completely review our Data Sheet(s) so as to confirm that the Device(s) meet functionality parameters for your application. The information furnished in the Data Sheet and on the CDIL Web Site/CD are believed to be accurate and reliable. CDIL however, does not assume responsibility for inaccuracies or incomplete information. Furthermore, CDIL does not assume liability whatsoever, arising out of the application or use of any CDIL product; neither does it convey any license under its patent rights nor rights of others. These products are not designed for use in life saving/support appliances or systems. CDIL customers selling these products (either as individual Discrete Semiconductor Devices or incorporated in their end products), in any life saving/support appliances or systems or applications do so at their own risk and CDIL will not be responsible for any damages resulting from such sale(s).

CDIL strives for continuous improvement and reserves the right to change the specifications of its products without prior notice.



CDIL is a registered Trademark of
Continental Device India Limited

C-120 Naraina Industrial Area, New Delhi 110 028, India.
Telephone + 91-11-2579 6150, 5141 1112 Fax + 91-11-2579 5290, 5141 1119
email@cdil.com www.cdilsemi.com