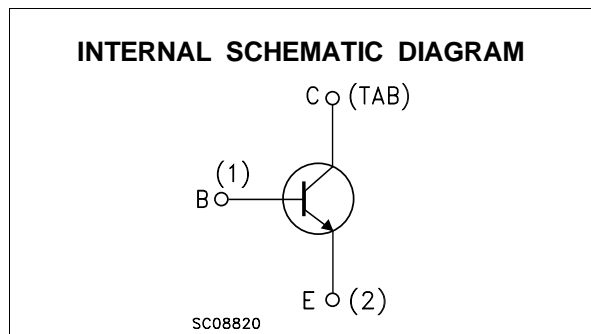
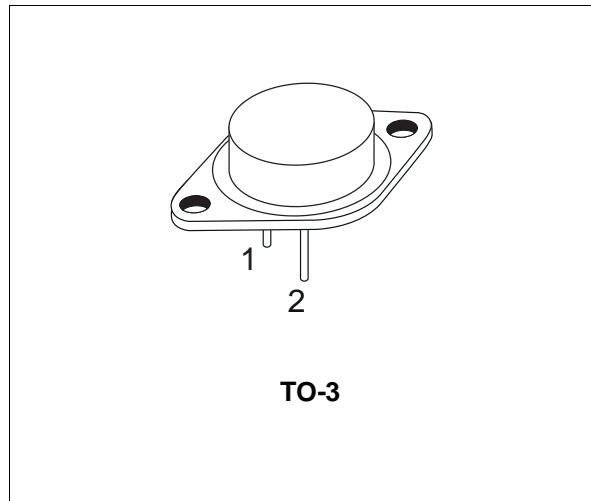


## HIGH POWER NPN SILICON TRANSISTOR

■ SGS-THOMSON PREFERRED SALESTYPES

**DESCRIPTION**

The 2N3771, 2N3772 are silicon epitaxial-base NPN transistors mounted in Jedec TO-3 metal case. They are intended for linear amplifiers and inductive switching applications.



**ABSOLUTE MAXIMUM RATINGS**

Symbol	Parameter	Value		Unit
		2N3771	2N3772	
$V_{CEO}$	Collector-Emitter Voltage ( $I_E = 0$ )	40	60	V
$V_{CEV}$	Collector-Emitter Voltage ( $V_{BE} = -1.5V$ )	50	80	V
$V_{CBO}$	Collector-Base Voltage ( $I_B = 0$ )	50	100	V
$V_{EBO}$	Emitter-Base Voltage ( $I_C = 0$ )	5	7	V
$I_C$	Collector Current	30	20	A
$I_{CM}$	Collector Peak Current	30	30	A
$I_B$	Base Current	7.5	5	A
$I_{BM}$	Base Peak Current	15	15	A
$P_{tot}$	Total Dissipation at $T_c \leq 25^\circ C$	150		W
$T_{stg}$	Storage Temperature	-65 to 200		$^\circ C$
$T_j$	Max. Operating Junction Temperature	200		$^\circ C$

## 2N3771/2N3772

### THERMAL DATA

R <sub>thj-case</sub>	Thermal Resistance Junction-case	Max	1.17	°C/W
-----------------------	----------------------------------	-----	------	------

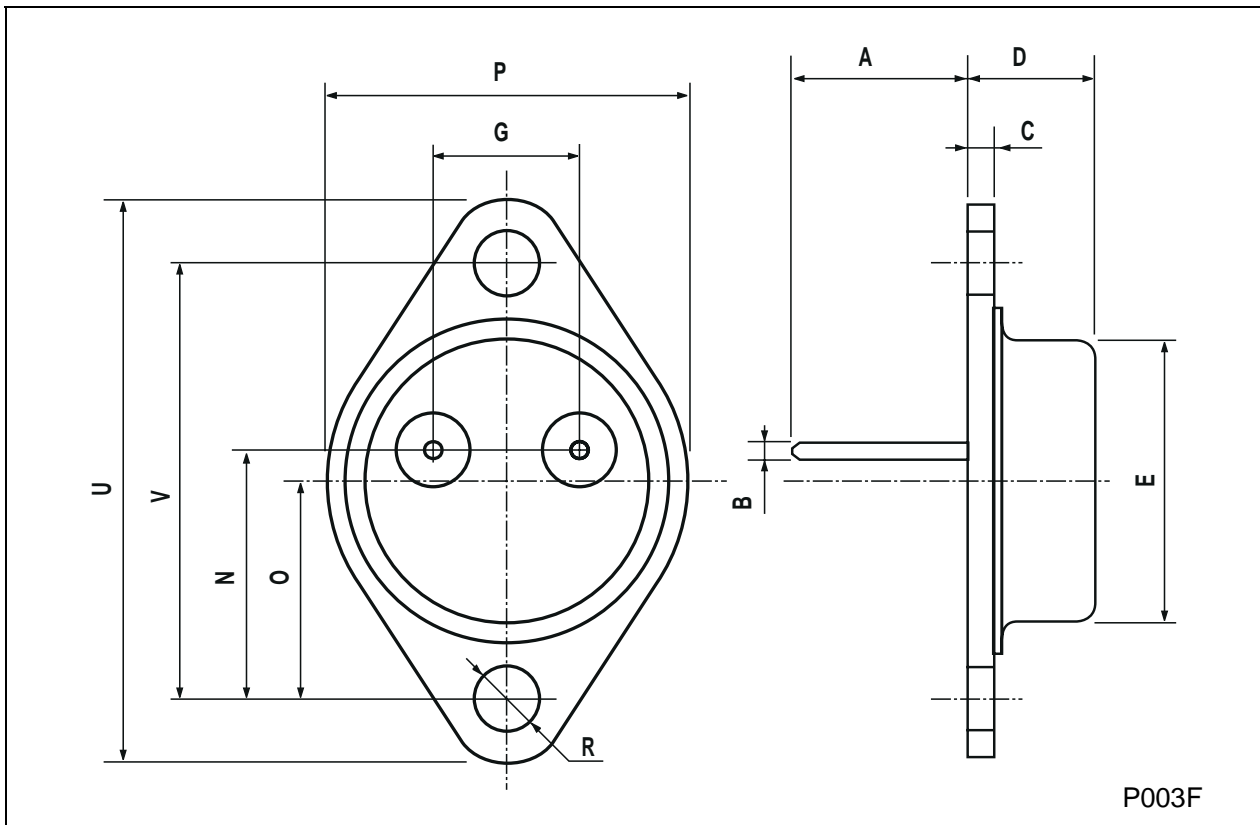
### ELECTRICAL CHARACTERISTICS (T<sub>case</sub> = 25 °C unless otherwise specified)

Symbol	Parameter	Test Conditions	Min.	Typ.	Max.	Unit
I <sub>CEV</sub>	Collector Cut-off Current (V <sub>BE</sub> = -1.5V)	for <b>2N3771</b> V <sub>CB</sub> = 50 V for <b>2N3772</b> V <sub>CB</sub> = 100 V for all V <sub>CB</sub> = 30 V T <sub>j</sub> = 150 °C			2 5 10	mA mA mA
I <sub>CEO</sub>	Collector Cut-off Current (I <sub>B</sub> = 0)	for <b>2N3771</b> V <sub>CB</sub> = 30 V for <b>2N3772</b> V <sub>CB</sub> = 50 V			10 10	mA mA
I <sub>CB0</sub>	Collector Cut-off Current (I <sub>E</sub> = 0)	for <b>2N3771</b> V <sub>CB</sub> = 50 V for <b>2N3772</b> V <sub>CB</sub> = 100 V			4 5	mA mA
I <sub>EBO</sub>	Emitter Cut-off Current (I <sub>C</sub> = 0)	for <b>2N3771</b> V <sub>CB</sub> = 5 V for <b>2N3772</b> V <sub>CB</sub> = 7 V			5 5	mA mA
V <sub>CEO(sus)*</sub>	Collector-Emitter Sustaining Voltage (I <sub>B</sub> = 0)	I <sub>C</sub> = 0.2 A for <b>2N3771</b> for <b>2N3772</b>	40 60			V V
V <sub>CEV(sus)*</sub>	Collector-Emitter Sustaining Voltage (V <sub>EB</sub> = -1.5V)	I <sub>C</sub> = 0.2 A R <sub>BE</sub> = 100 Ω for <b>2N3771</b> for <b>2N3772</b>	50 80			V V
V <sub>CER(sus)*</sub>	Collector-Emitter Sustaining Voltage (R <sub>BE</sub> = 100 Ω)	I <sub>C</sub> = 0.2 A for <b>2N3771</b> for <b>2N3772</b>	45 70			V V
V <sub>CE(sat)*</sub>	Collector-Emitter Saturation Voltage	for <b>2N3771</b> I <sub>C</sub> = 15 A I <sub>B</sub> = 1.5 A I <sub>C</sub> = 30 A I <sub>B</sub> = 6 A for <b>2N3772</b> I <sub>C</sub> = 10 A I <sub>B</sub> = 1 A I <sub>C</sub> = 20 A I <sub>B</sub> = 4 A			2 4 1.4 4	V V V V
V <sub>BE*</sub>	Base-Emitter Voltage	for <b>2N3771</b> I <sub>C</sub> = 15 A V <sub>CE</sub> = 4 V for <b>2N3772</b> I <sub>C</sub> = 10 A V <sub>CE</sub> = 4 V			2.7 2.7	V V
h <sub>FE*</sub>	DC Current Gain	for <b>2N3771</b> I <sub>C</sub> = 15 A V <sub>CE</sub> = 4 V I <sub>C</sub> = 30 A V <sub>CE</sub> = 4 V for <b>2N3772</b> I <sub>C</sub> = 10 A V <sub>CE</sub> = 4 V I <sub>C</sub> = 20 A V <sub>CE</sub> = 4 V	15 5 15 5		60 60	
h <sub>FE</sub>	Small Signal Current Gain	I <sub>C</sub> = 1 A V <sub>CE</sub> = 4 V f = 1 KHz	40			
f <sub>T</sub>	Transition frequency	I <sub>C</sub> = 1 A V <sub>CE</sub> = 4 V f = 50 KHz	0.2			MHz
I <sub>s/b</sub>	Second Breakdown Collector Current	V <sub>CE</sub> = 25 V t = 1 s (non repetitive)	6			A

\* Pulsed: Pulse duration = 300 μs, duty cycle ≤ 2 %

## TO-3 MECHANICAL DATA

DIM.	mm			inch		
	MIN.	TYP.	MAX.	MIN.	TYP.	MAX.
A	11.00		13.10	0.433		0.516
B	0.97		1.15	0.038		0.045
C	1.50		1.65	0.059		0.065
D	8.32		8.92	0.327		0.351
E	19.00		20.00	0.748		0.787
G	10.70		11.10	0.421		0.437
N	16.50		17.20	0.649		0.677
P	25.00		26.00	0.984		1.023
R	4.00		4.09	0.157		0.161
U	38.50		39.30	1.515		1.547
V	30.00		30.30	1.187		1.193



Information furnished is believed to be accurate and reliable. However, SGS-THOMSON Microelectronics assumes no responsibility for the consequences of use of such information nor for any infringement of patents or other rights of third parties which may result from its use. No license is granted by implication or otherwise under any patent or patent rights of SGS-THOMSON Microelectronics. Specifications mentioned in this publication are subject to change without notice. This publication supersedes and replaces all information previously supplied. SGS-THOMSON Microelectronics products are not authorized for use as critical components in life support devices or systems without express written approval of SGS-THOMSON Microelectronics.

© 1997 SGS-THOMSON Microelectronics - Printed in Italy - All Rights Reserved

SGS-THOMSON Microelectronics GROUP OF COMPANIES  
Australia - Brazil - Canada - China - France - Germany - Hong Kong - Italy - Japan - Korea - Malaysia - Malta - Morocco - The Netherlands -  
Singapore - Spain - Sweden - Switzerland - Taiwan - Thailand - United Kingdom - U.S.A  
...