



Micro Commercial Components

Micro Commercial Components
 20736 Marilla Street Chatsworth
 CA 91311
 Phone: (818) 701-4933
 Fax: (818) 701-4939

2N4403

PNP General Purpose Amplifier

Features

- Through Hole Package
- Capable of 600mWatts of Power Dissipation
- Case Material: Molded Plastic. UL Flammability Classification Rating 94V-0 and MSL rating 1
- Marking: Type number
- Lead Free Finish/Rohs Compliant ("P" Suffix designates Compliant. See ordering information)

Electrical Characteristics @ 25°C Unless Otherwise Specified

Symbol	Parameter	Min	Max	Units
OFF CHARACTERISTICS				
$V_{(BR)CEO}$	Collector-Emitter Breakdown Voltage* ($I_C=-1.0mA$, $I_B=0$)	-40		Vdc
$V_{(BR)CBO}$	Collector-Base Breakdown Voltage ($I_C=-10\mu A$, $I_E=0$)	-40		Vdc
$V_{(BR)EBO}$	Emitter-Base Breakdown Voltage ($I_E=-10\mu A$, $I_C=0$)	-5.0		Vdc
I_{BL}	Base Cutoff Current ($V_{CE}=-3.0V$, $V_{BE}=-3.0V$)		-0.1	μA
I_{CEX}	Collector Cutoff Current ($V_{CE}=-3.0V$, $V_{BE}=-3.0V$)		-0.1	μA

ON CHARACTERISTICS

h_{FE}	DC Current Gain* ($I_C=-0.1mA$, $V_{CE}=-1.0V$) ($I_C=-1.0mA$, $V_{CE}=-1.0V$) ($I_C=-10mA$, $V_{CE}=-1.0V$) ($I_C=-150mA$, $V_{CE}=-2.0V$) ($I_C=-500mA$, $V_{CE}=-2.0V$)	30 60 100 100 20	300	
$V_{CE(sat)}$	Collector-Emitter Saturation Voltage ($I_C=-150mA$, $I_B=-15mA$) ($I_C=-500mA$, $I_B=-50mA$)		-0.4 -0.75	Vdc
$V_{BE(sat)}$	Base-Emitter Saturation Voltage ($I_C=-150mA$, $I_B=-15mA$) ($I_C=-500mA$, $I_B=-50mA$)	-0.75	-0.95 -1.30	Vdc

SMALL-SIGNAL CHARACTERISTICS

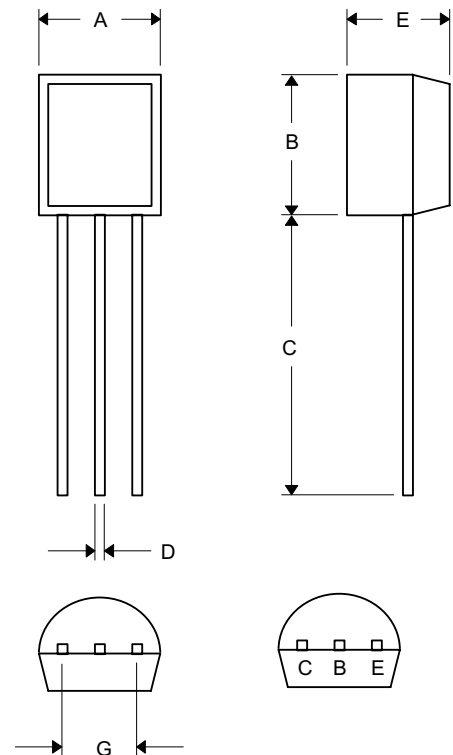
f_T	Current Gain-Bandwidth Product ($I_C=-20mA$, $V_{CE}=-10V$, $f=100MHz$)	200		MHz
C_{cb}	Output Capacitance ($V_{CB}=-10V$, $I_E=0$, $f=140kHz$)		8.5	pF
C_{eb}	Input Capacitance ($V_{EB}=-0.5V$, $I_C=0$, $f=140kHz$)		30.0	pF

SWITCHING CHARACTERISTICS

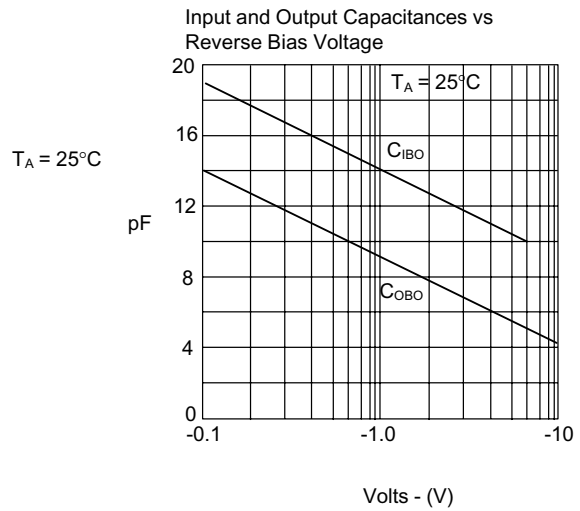
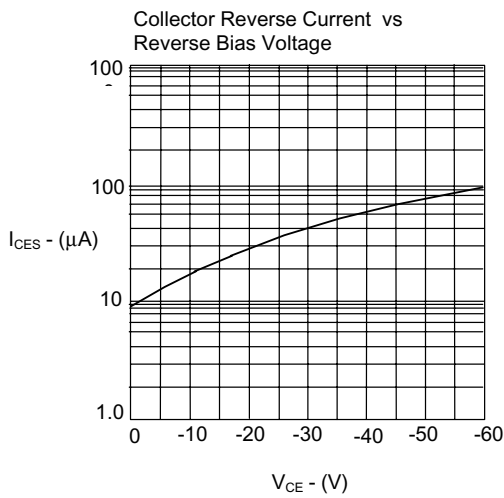
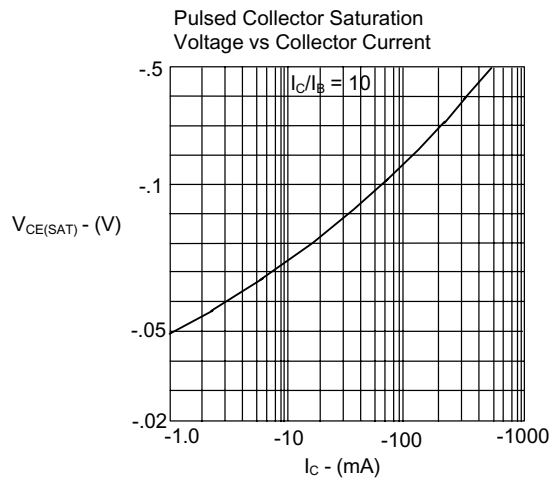
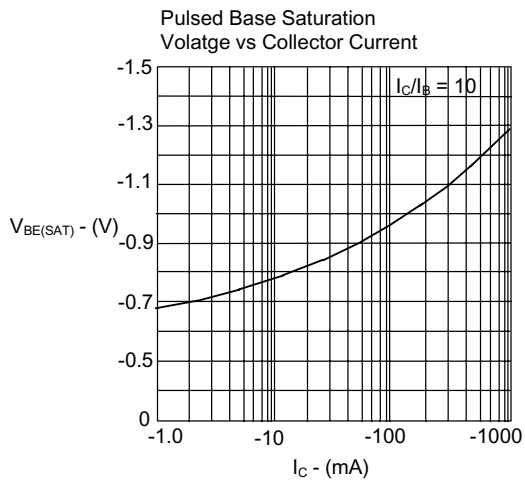
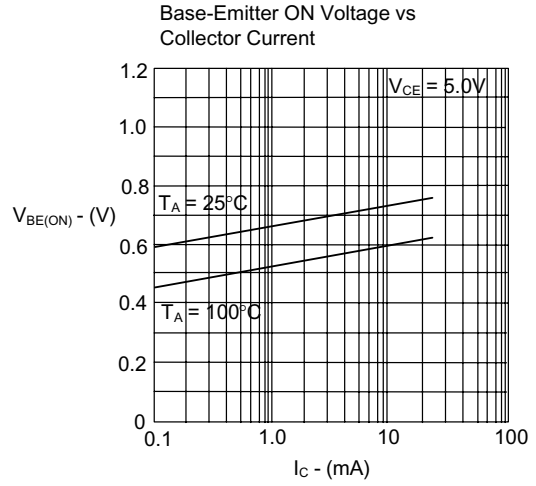
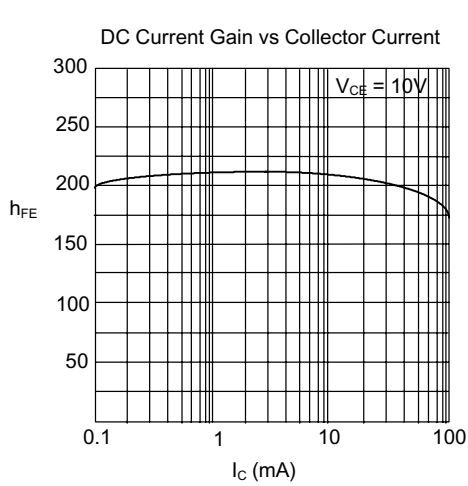
t_d	Delay Time	($V_{CC}=-3.0V$, $V_{BE}=-2.0V$)	15	ns
t_r	Rise Time	($I_C=-150mA$, $I_{B1}=-15mA$)	20	ns
t_s	Storage Time	($V_{CC}=-3.0V$, $I_C=-150mA$)	225	ns
t_f	Fall Time	($I_{B1}=I_{B2}=-15mA$)	30	ns

*Pulse Width $\leq 300\mu s$, Duty Cycle $\leq 2.0\%$

TO-92



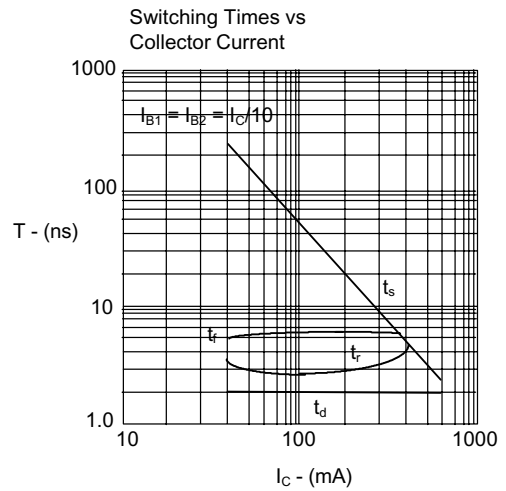
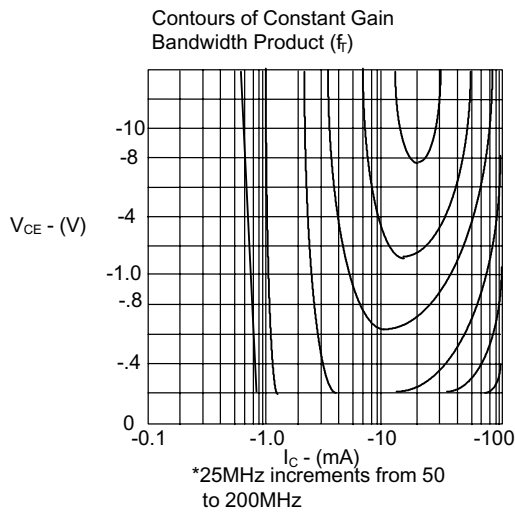
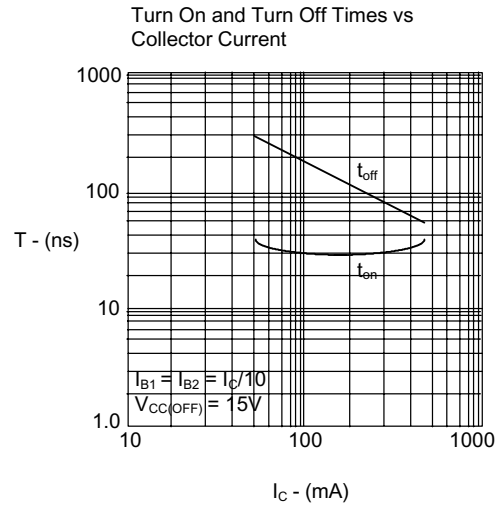
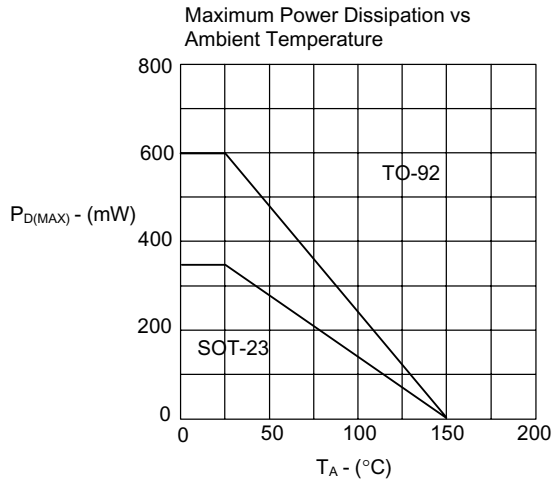
DIM	DIMENSIONS				NOTE
	INCHES		MM		
A	.170	.190	4.33	4.83	
B	.170	.190	4.30	4.83	
C	.550	.590	13.97	14.97	
D	.010	.020	0.36	0.56	
E	.130	.160	3.30	3.96	
G	.010	.104	2.44	2.64	



2N4403



Micro Commercial Components





Micro Commercial Components

Ordering Information

Device	Packing
(Part Number)-AP	Ammo Packing;2Kpcs/AmmoBox
(Part Number)-BP	Bulk;1Kpcs/Bag

*****IMPORTANT NOTICE*****

Micro Commercial Components Corp . reserves the right to make changes without further notice to any product herein to make corrections, modifications , enhancements , improvements , or other changes .
Micro Commercial Components Corp . does not assume any liability arising out of the application or use of any product described herein; neither does it convey any license under its patent rights ,nor the rights of others . The user of products in such applications shall assume all risks of such use and will agree to hold *Micro Commercial Components Corp* . and all the companies whose products are represented on our website, harmless against all damages.

*****APPLICATIONS DISCLAIMER*****

Products offer by *Micro Commercial Components Corp* . are not intended for use in Medical, Aerospace or Military Applications.