



## 2N70

Power MOSFET

### 2 Amps, 700 Volts N-CHANNEL POWER MOSFET

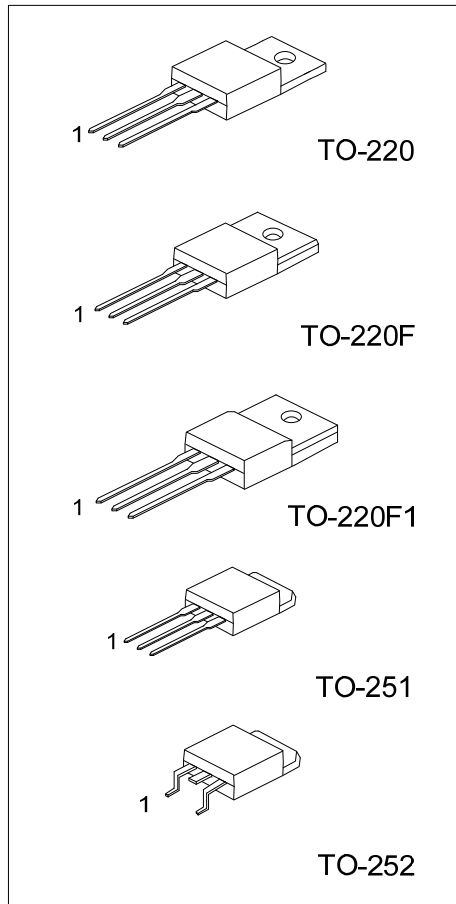
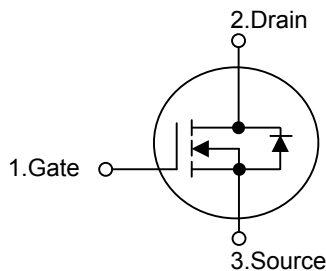
#### DESCRIPTION

The UTC **2N70** is a high voltage MOSFET designed to have better characteristics, such as fast switching time, low gate charge, low on-state resistance and high rugged avalanche characteristics. This power MOSFET is usually used at high speed switching applications in power supplies, PWM motor controls, high efficient DC to DC converters and bridge circuits.

#### FEATURES

- \*  $R_{DS(ON)} = 6.3\Omega @ V_{GS} = 10V$
- \* Ultra Low gate charge (typical 8.1nC)
- \* Low reverse transfer capacitance ( $C_{RSS} =$  typical 5.0 pF)
- \* Fast switching capability
- \* Avalanche energy specified
- \* Improved dv/dt capability, high ruggedness

#### SYMBOL



#### ORDERING INFORMATION

Ordering Number		Package	Pin Assignment			Packing
Lead Free	Halogen Free		1	2	3	
2N70L-TA3-T	2N70G-TA3-T	TO-220	G	D	S	Tube
2N70L-TF1-T	2N70G-TF1-T	TO-220F1	G	D	S	Tube
2N70L-TF3-T	2N70G-TF3-T	TO-220F	G	D	S	Tube
2N70L-TM3-T	2N70G-TM3-T	TO-251	G	D	S	Tube
2N70L-TN3-R	2N70G-TN3-R	TO-252	G	D	S	Tape Reel

Note: Pin Assignment: G: Gate D: Drain S: Source

<p>2N70L-TA3-T</p> <p>(1)Packing Type</p> <p>(2)Package Type</p> <p>(3)Lead Plating</p>	<p>(1) R: Tape Reel, T: Tube</p> <p>(2) TA3: TO-220, TF1: TO-220F1, TF3: TO-220F, TM3: TO-251, TN3:TO-252</p> <p>(3) G: Halogen Free, L: Lead Free</p>
---	--

■ ABSOLUTE MAXIMUM RATINGS ( $T_C = 25^\circ\text{C}$ , unless otherwise specified)

PARAMETER		SYMBOL	RATINGS	UNIT
Drain-Source Voltage		$V_{DSS}$	700	V
Gate-Source Voltage		$V_{GSS}$	$\pm 30$	V
Avalanche Current (Note 2)		$I_{AR}$	2.0	A
Drain Current	Continuous	$I_D$	2.0	A
	Pulsed (Note 2)	$I_{DM}$	8.0	A
Avalanche Energy	Single Pulsed (Note 3)	$E_{AS}$	140	mJ
	Repetitive (Note 2)	$E_{AR}$	2.8	mJ
Peak Diode Recovery dv/dt (Note 4)		dv/dt	4.5	V/ns
Power Dissipation	TO-220	$P_D$	45	W
	TO-220F/TO-220F1		28	W
	TO-251/TO-252		30	W
Junction Temperature		$T_J$	+150	$^\circ\text{C}$
Operating Temperature		$T_{OPR}$	-55 ~ +150	$^\circ\text{C}$
Storage Temperature		$T_{STG}$	-55 ~ +150	$^\circ\text{C}$

Notes: 1. Absolute maximum ratings are those values beyond which the device could be permanently damaged.

Absolute maximum ratings are stress ratings only and functional device operation is not implied.

2. Repetitive Rating : Pulse width limited by  $T_J$

3.  $L=45\text{mH}$ ,  $I_{AS}=2.0\text{A}$ ,  $V_{DD}=50\text{V}$ ,  $R_G=25\ \Omega$ , Starting  $T_J = 25^\circ\text{C}$

4.  $I_{SD}\leq 2.0\text{A}$ ,  $di/dt\leq 200\text{A}/\mu\text{s}$ ,  $V_{DD}\leq BV_{DSS}$ , Starting  $T_J = 25^\circ\text{C}$

■ THERMAL DATA

PARAMETER		SYMBOL	RATINGS	UNIT
Junction to Ambient	TO-220/TO-220F/TO-220F1	$\theta_{JA}$	62.5	$^\circ\text{C}/\text{W}$
	TO-251/TO-252		110	$^\circ\text{C}/\text{W}$
Junction to Case	TO-220	$\theta_{Jc}$	2.76	$^\circ\text{C}/\text{W}$
	TO-220F/TO-220F1		4.46	$^\circ\text{C}/\text{W}$
	TO-251/TO-252		4.24	$^\circ\text{C}/\text{W}$

■ ELECTRICAL CHARACTERISTICS ( $T_J=25^\circ\text{C}$ , unless otherwise specified)

PARAMETER	SYMBOL	TEST CONDITIONS	MIN	TYP	MAX	UNIT
<b>OFF CHARACTERISTICS</b>						
Drain-Source Breakdown Voltage	$BV_{DSS}$	$V_{GS} = 0\text{V}$ , $I_D = 250\mu\text{A}$	700			V
Drain-Source Leakage Current	$I_{DSS}$	$V_{DS} = 700\text{V}$ , $V_{GS} = 0\text{V}$			10	$\mu\text{A}$
Gate-Source Leakage Current	$I_{GSS}$	Forward			100	nA
		Reverse	$V_{GS} = 30\text{V}$ , $V_{DS} = 0\text{V}$		-100	nA
Breakdown Voltage Temperature Coefficient	$\Delta BV_{DSS}/\Delta T_J$	$I_D = 250\ \mu\text{A}$ , Referenced to $25^\circ\text{C}$		0.4		$\text{V}/^\circ\text{C}$
<b>ON CHARACTERISTICS</b>						
Gate Threshold Voltage	$V_{GS(TH)}$	$V_{DS} = V_{GS}$ , $I_D = 250\mu\text{A}$	2.0		4.0	V
Static Drain-Source On-State Resistance	$R_{DS(ON)}$	$V_{GS} = 10\text{V}$ , $I_D = 1\text{A}$		5.0	6.3	$\Omega$
<b>DYNAMIC CHARACTERISTICS</b>						
Input Capacitance	$C_{ISS}$	$V_{DS} = 25\text{V}$ , $V_{GS} = 0\text{V}$ , $f = 1\text{MHz}$		270	350	pF
Output Capacitance	$C_{OSS}$			38	50	pF
Reverse Transfer Capacitance	$C_{RSS}$			5	7	pF

■ ELECTRICAL CHARACTERISTICS(Cont.)

PARAMETER	SYMBOL	TEST CONDITIONS	MIN	TYP	MAX	UNIT
<b>SWITCHING CHARACTERISTICS</b>						
Turn-On Delay Time	$t_{D(ON)}$	$V_{DD}=350V, I_D=2.0A, R_G=25\Omega$ (Note 1, 2)			30	ns
Turn-On Rise Time	$t_R$				80	ns
Turn-Off Delay Time	$t_{D(OFF)}$				50	ns
Turn-Off Fall Time	$t_F$				70	ns
Total Gate Charge	$Q_G$	$V_{DS}=560V, V_{GS}=10V, I_D=2.0A$ (Note 1, 2)		8.1	11	nC
Gate-Source Charge	$Q_{GS}$			1.7		nC
Gate-Drain Charge	$Q_{GD}$			4.4		nC
<b>DRAIN-SOURCE DIODE CHARACTERISTICS</b>						
Drain-Source Diode Forward Voltage	$V_{SD}$	$V_{GS} = 0 V, I_{SD} = 2.0 A$			1.4	V
Continuous Drain-Source Current	$I_{SD}$				2.0	A
Pulsed Drain-Source Current	$I_{SM}$				8.0	A
Reverse Recovery Time	$t_{RR}$	$V_{GS} = 0 V, I_{SD} = 2.0A$ $di/dt = 100 A/\mu s$ (Note1)		260		ns
Reverse Recovery Charge	$Q_{RR}$			1.09		$\mu C$

Notes: 1. Pulse Test: Pulse width  $\leq 300\mu s$ , Duty cycle  $\leq 2\%$

2. Essentially independent of operating temperature

■ TEST CIRCUITS AND WAVEFORMS

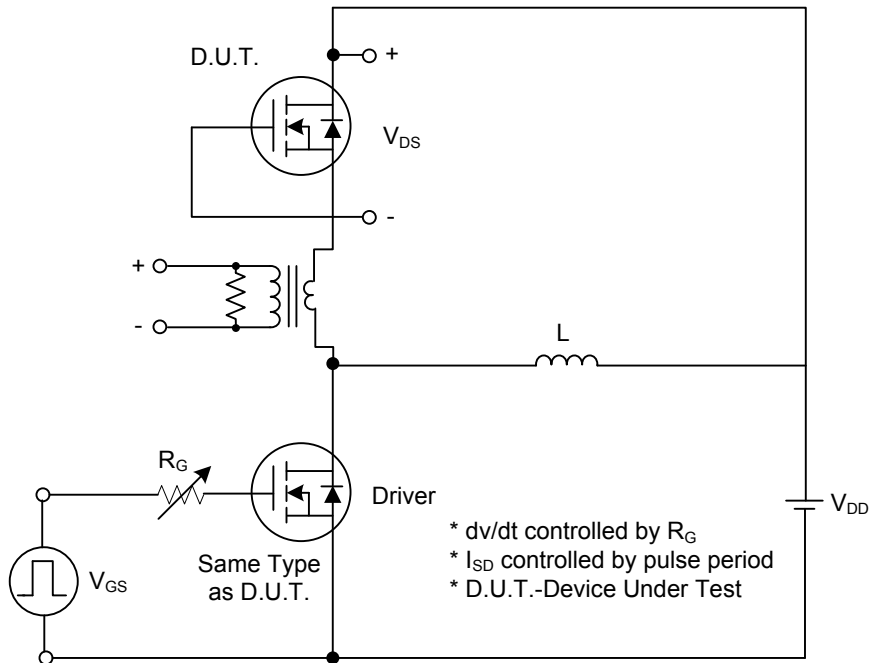


Fig. 1A Peak Diode Recovery  $dv/dt$  Test Circuit

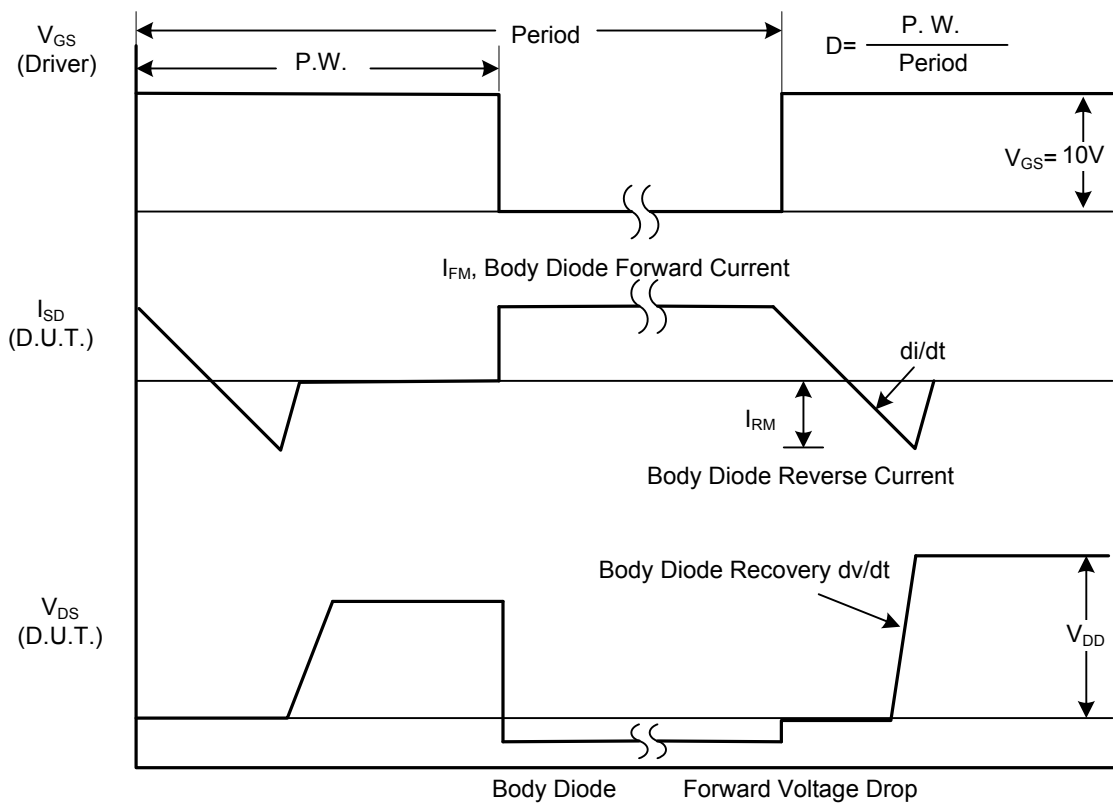


Fig. 1B Peak Diode Recovery  $dv/dt$  Waveforms

■ TEST CIRCUITS AND WAVEFORMS (Cont.)

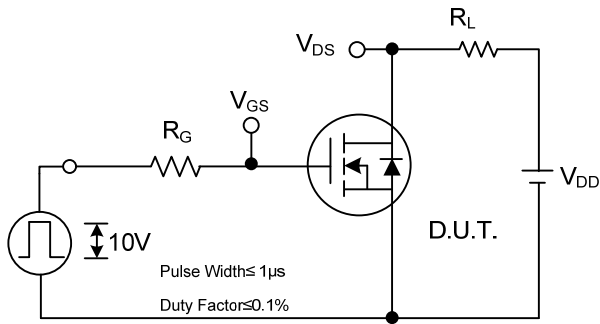


Fig. 2A Switching Test Circuit

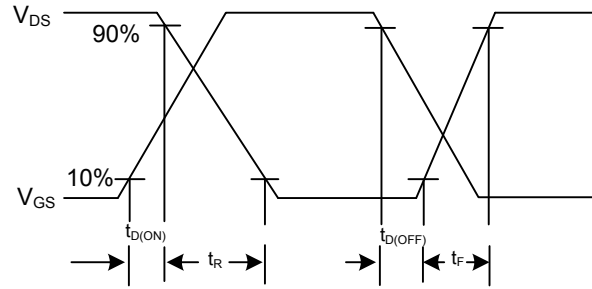


Fig. 2B Switching Waveforms

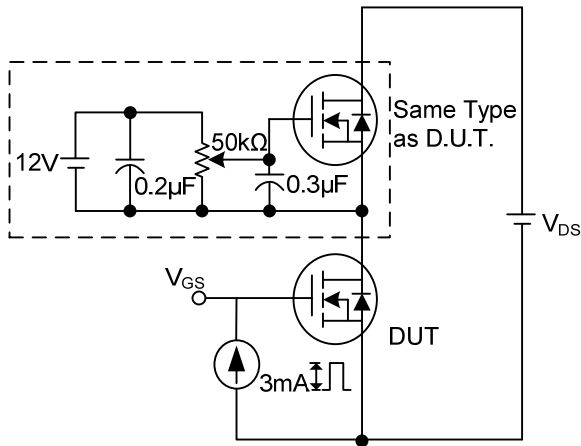


Fig. 3A Gate Charge Test Circuit

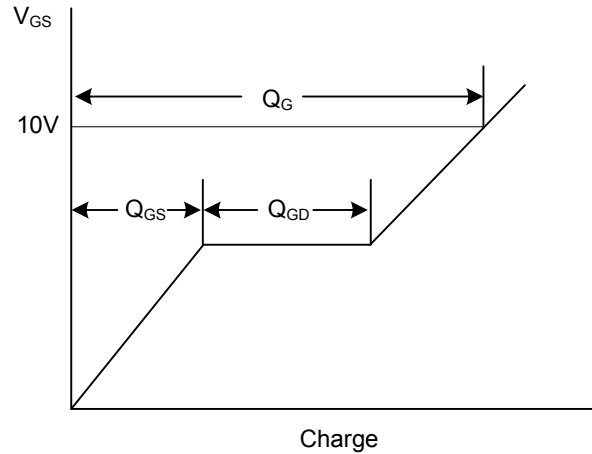


Fig. 3B Gate Charge Waveform

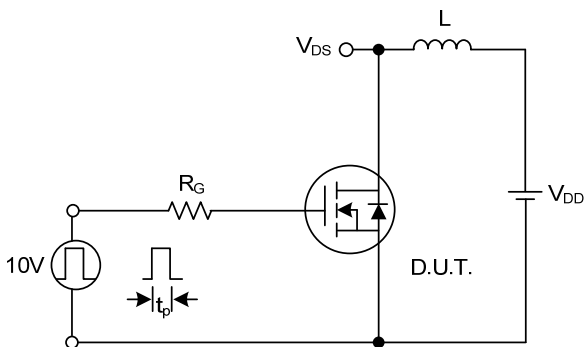


Fig. 4A Unclamped Inductive Switching Test Circuit

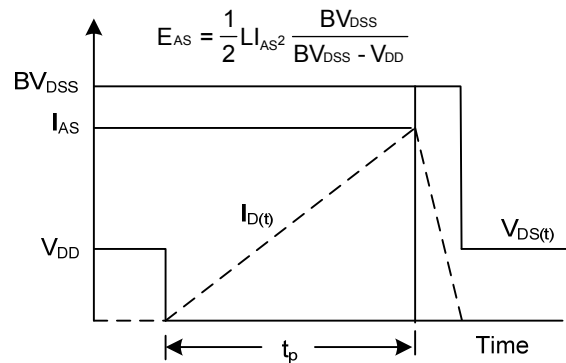
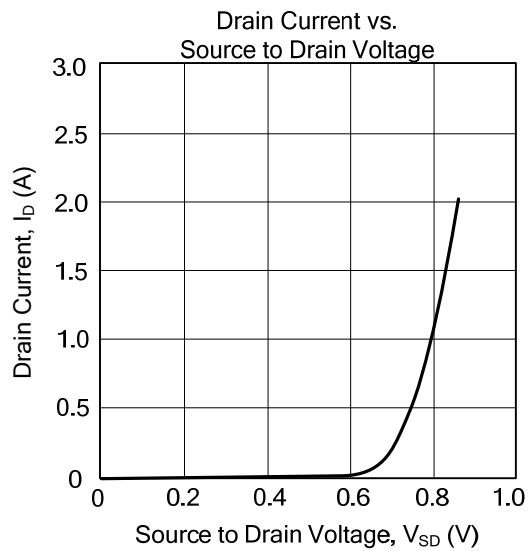
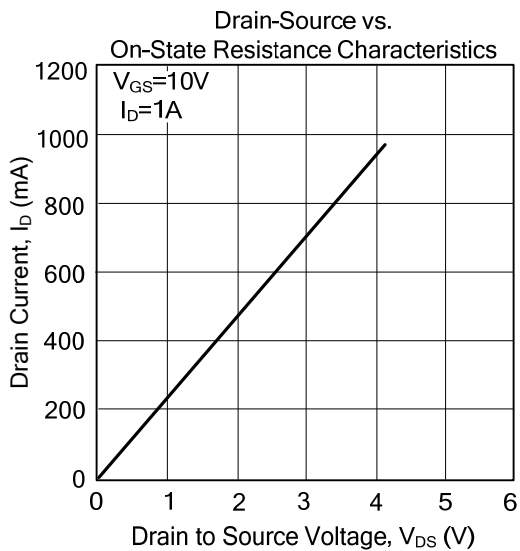
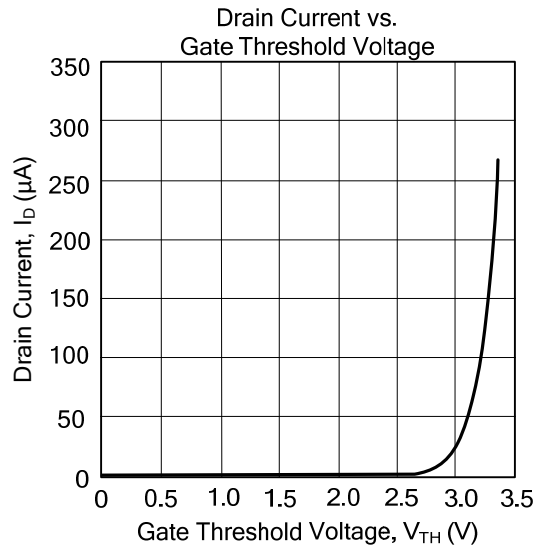
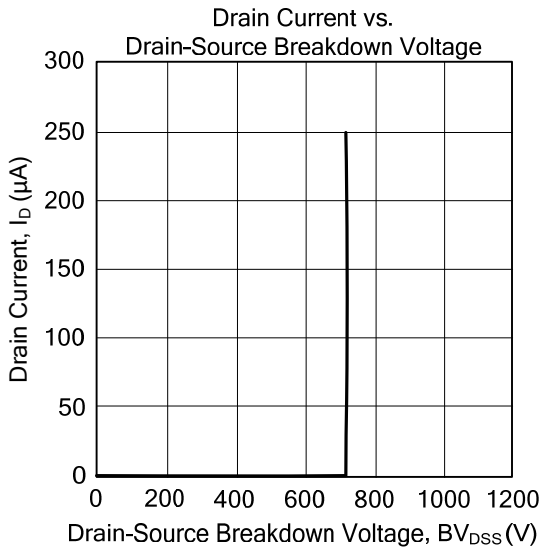


Fig. 4B Unclamped Inductive Switching Waveforms

■ TYPICAL CHARACTERISTICS



UTC assumes no responsibility for equipment failures that result from using products at values that exceed, even momentarily, rated values (such as maximum ratings, operating condition ranges, or other parameters) listed in products specifications of any and all UTC products described or contained herein. UTC products are not designed for use in life support appliances, devices or systems where malfunction of these products can be reasonably expected to result in personal injury. Reproduction in whole or in part is prohibited without the prior written consent of the copyright owner. The information presented in this document does not form part of any quotation or contract, is believed to be accurate and reliable and may be changed without notice.