



## Triacs sensitive gate

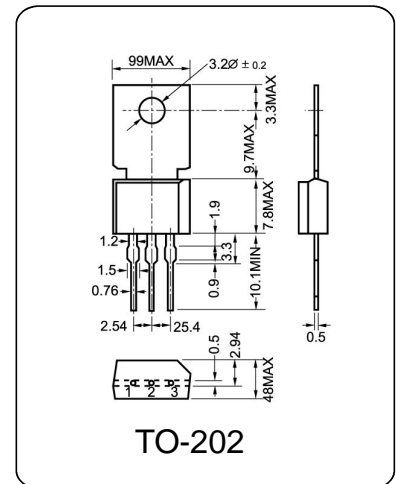
## 2P4M 2P5M 2P6M

### GENERAL DESCRIPTION

Passivated thyristors in a plastic envelope, intended for use in applications requiring high bidirectional blocking voltage capability and high thermal cycling performance. Typical applications include motor control, industrial domestic lighting, heating and staticand switching.

### ABSOLUTE MAXIMUM RATINGS ( Ta = 25 °C)

Parameter	Symbol	Typ			Unit
		2P4M	2P5M	2P6M	
Repetitive peak off-state voltages	$V_{DRM}$ $V_{RRM}$	500	600	700	V
RMS on-state current	$I_{T(RMS)}$	2.0			A
Non-repetitive peak on-state current	$I_{TSM}$	20			A
Max. Operating Junction Temperature	$T_j$	110			°C
Storage Temperature	$T_{stg}$	-45~150			°C



### ELECTRICAL CHARACTERISTICS ( Ta = 25 °C)

Parameter	Symbol	Test Conditions	Min	Typ	Max	Unit
Repetitive peak off-state voltages	$V_{DRM}$ $V_{RRM}$			500 ~700		V
RMS on-state current	$I_{T(RMS)}$	full sine wave; $T_{mb}$ 107 °C		2.0		A
On-state voltage	$V_T$	$I_T=4A$			2.2	V
Holding current	$I_H$	$V_D = 12 V$ ; $I_{GT} = 0.1 A$		1	3	mA
Gate trigger current	$I_{GT}$	$V_D = 12 V$ ; $I_T = 0.1 A$			0.2	mA
Gate trigger voltage	$V_{GT}$	$V_D = 12 V$ ; $I_T = 0.1 A$			0.8	V