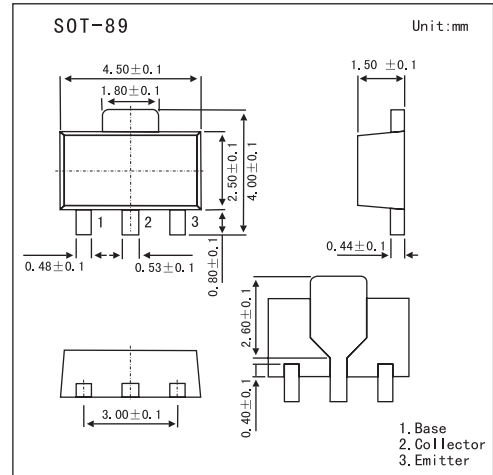


2SA1416

■ Features

- Adoption of FBET, MBIT Processes
- High Breakdown Voltage and Large Current Capacity
- Fast Switching Time



■ Absolute Maximum Ratings Ta = 25°C

Parameter	Symbol	Rating	Unit
Collector-Base Voltage	V _{CB0}	-120	V
Collector-Emitter Voltage	V _{CEO}	-100	V
Emitter-Base Voltage	V _{EBO}	-6	V
Collector Current	I _C	-1	A
Collector Current (Pulse)	I _{CP}	-2	A
Collector Power Dissipation	P _C	500	mW
	P _C *	1.3	W
Junction temperature	T _j	150	°C
Storage temperature Range	T _{stg}	-55 to +150	°C

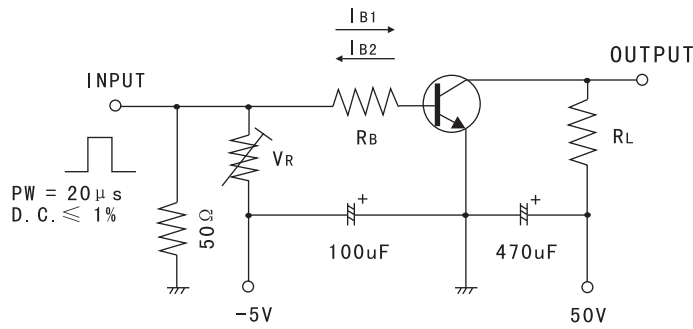
* Mounted on ceramic board (250 mm² x 0.8 mm)

■ Electrical Characteristics Ta = 25°C

Parameter	Symbol	Testconditions	Min	Typ	Max	Unit
Collector Cut-off Current	I _{CB0}	V _{CB} = -100V, I _E = 0			-100	nA
Emitter Cut-off Current	I _{EBO}	V _{EB} = -4V, I _C = 0			-100	nA
Collector-Base Breakdown Voltage	V _{(BR)CBO}	I _C = -10uA, I _E = 0	-120			V
Collector-Emitter Breakdown Voltage	V _{(BR)CEO}	I _C = -1mA, R _{BE} = ∞	-100			V
Emitter-Base Breakdown Voltage	V _{(BR)EBO}	I _E = -10uA, I _C = 0	-6			V
DC Current Gain	h _{FE}	V _{CE} = -5V, I _C = -100mA	100		400	
Collector-Emitter Saturation Voltage	V _{CE(sat)}	I _C = -400mA, I _B = -40mA		-0.2	-0.6	V
Base-Emitter Saturation Voltage	V _{BE(sat)}	I _C = -400mA, I _B = -40mA		-0.85	-1.2	V
Gain-Bandwidth Product	f _T	V _{CE} = -10V, I _C = -100mA		120		MHz
Collector Output Capacitance	C _{ob}	V _{CB} = -10V, I _E = 0, f = 1MHz		13		pF
Turn-On Time	t _{on}	See Test Circuit.		80		ns
Storage Time	t _{stg}			700		
Fall Time	t _f			40		

2SA1416

■ Test Circuit

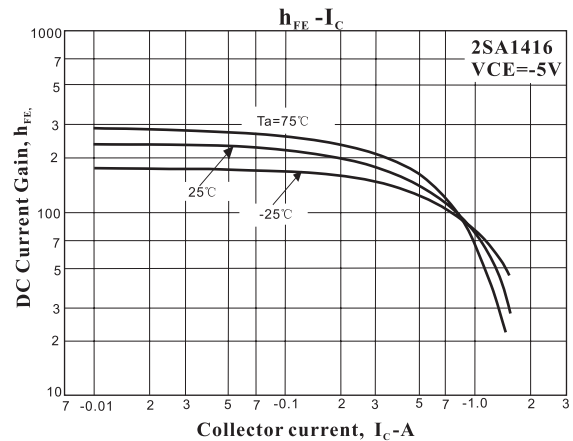
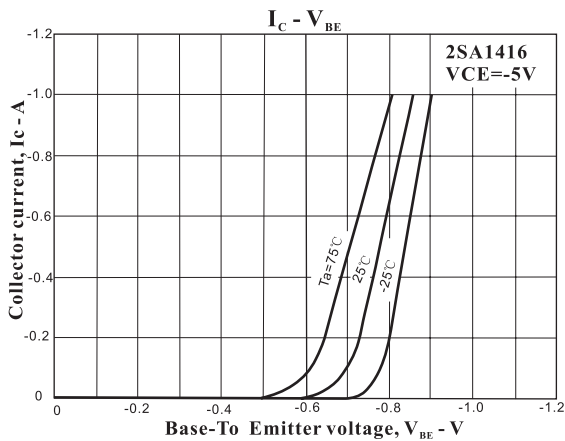
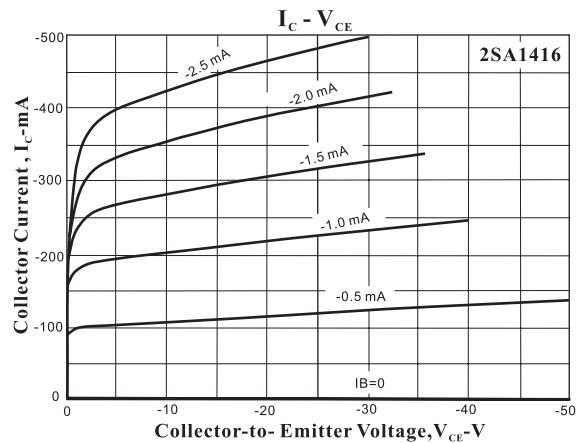
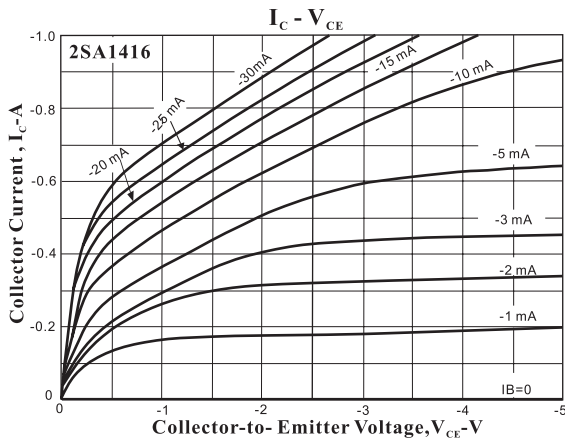


$10|I_{B1}| = -10|I_{B2}| = I_C = 400\text{mA}$
 (For PNP, the polarity is reversed.)

■ hFE Classification

Marking	AB		
Rank	R	S	T
hFE	100 ~ 200	140 ~ 280	200 ~ 400

■ Electrical Characteristics Curves





2SA1416

