

*New Jersey Semiconductor Products, Inc.*

20 STERN AVE.  
 SPRINGFIELD, NEW JERSEY 07081  
 U.S.A.

TELEPHONE: (973) 376-2922  
 (212) 227-6005  
 FAX: (973) 376-8960

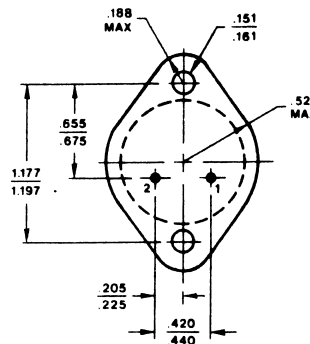
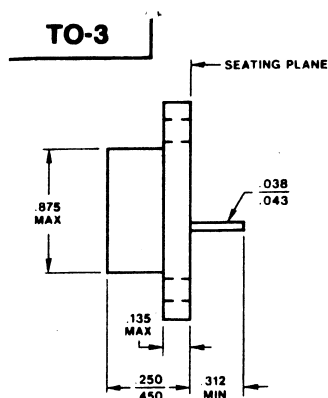
PARAMETERS

2SC1584

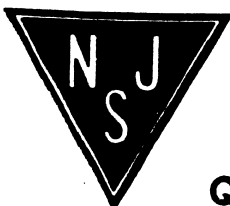
SI NPN POWER BJT, I(C) = 10 A TO 19.9 A

Description: Si NPN Power BJT, I(C) = 10 A to 19.9 A

Manufacturer.....	many
Mil/High-Rel? (Y/N).....	
Ic Max. (A).....	15
Vbr CEO.....	100
Vbr CBO.....	150
Max. PD (W).....	150
Derate Above 25°C.....	1.2
Min hFE.....	30
Max. hFE.....	50 <sub>T</sub>
@Ic (test) (A).....	5.0
@VCE (V).....	4.0
Trans. Freq (Hz) Min.....	10M
Icbo Max. @Vcb Max. (A).....	1.0m
R(sat) (Ω).....	150m
Tr Max. (s).....	
t(f) Max. (S).....	
Oper. Temp (°C) Max.....	140 <sub>J</sub>
Pkg Style.....	TO-3
Surface Mounted (Y/N).....	N
Pinout Equivalence Number.....	3-14



dim. in in.



Quality Semi-Conductors