

DESCRIPTION

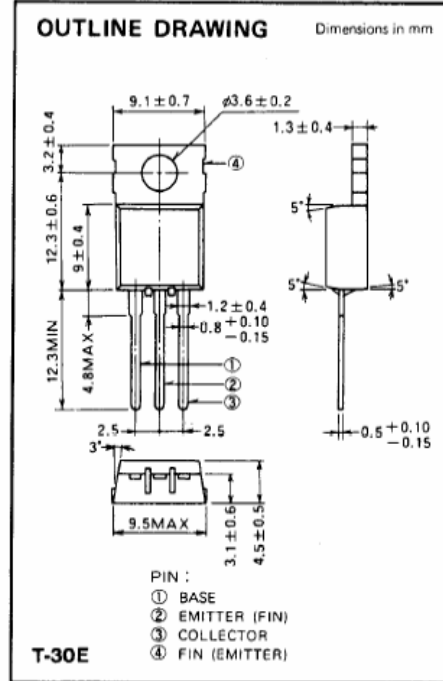
2SC1972 is a silicon NPN epitaxial planar type transistor designed for RF power amplifiers on VHF band mobile radio applications.

FEATURES

- High power gain: $G_{pe} \geq 7.5\text{dB}$
@ $V_{CC} = 13.5\text{V}$, $P_O = 14\text{W}$, $f = 175\text{MHz}$
- Emitter ballasted construction, gold metallization for high reliability and good performances.
- TO-220 package similar is combinient for mounting.
- Ability of withstanding more than 20:1 load VSWR when operated at $V_{CC} = 15.2\text{V}$, $P_O = 18\text{W}$, $f = 175\text{MHz}$.

APPLICATION

10 to 14 watts output power amplifiers in VHF band mobile radio applications.



ABSOLUTE MAXIMUM RATINGS ($T_C = 25^\circ\text{C}$ unless otherwise specified)

Symbol	Parameter	Conditions	Ratings	Unit
V_{CBO}	Collector to base voltage		35	V
V_{EBO}	Emitter to base voltage		4	V
V_{CEO}	Collector to emitter voltage	$R_{BE} = \infty$	17	V
I_C	Collector current		3.5	A
P_C	Collector dissipation	$T_A = 25^\circ\text{C}$	1.5	W
		$T_C = 25^\circ\text{C}$	25	W
T_j	Junction temperature		175	$^\circ\text{C}$
T_{stg}	Storage temperature		-55 to 175	$^\circ\text{C}$
R_{th-a}	Thermal resistance	Junction to ambient	100	$^\circ\text{C}/\text{W}$
R_{th-c}		Junction to case	6	$^\circ\text{C}/\text{W}$

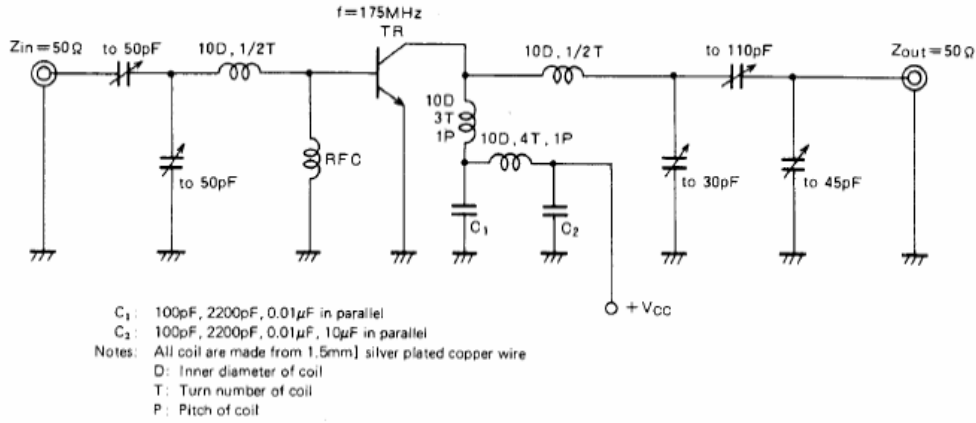
Note. Above parameters are guaranteed independently.

ELECTRICAL CHARACTERISTICS ($T_C = 25^\circ\text{C}$ unless otherwise specified)

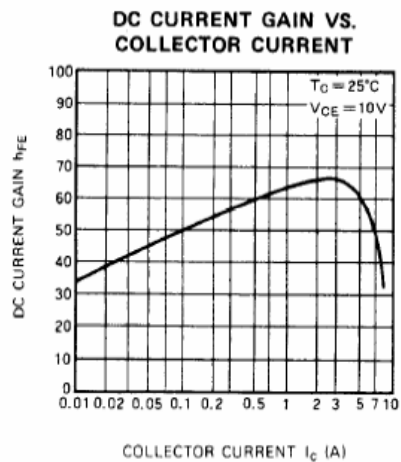
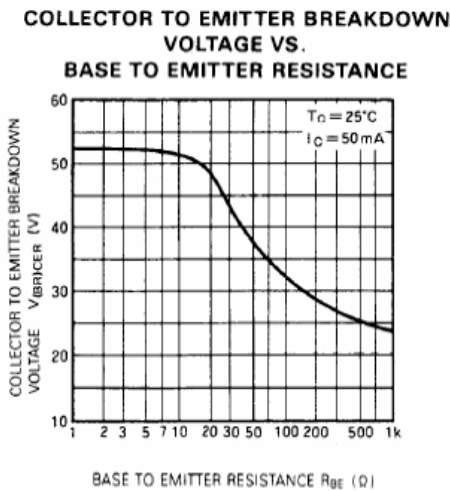
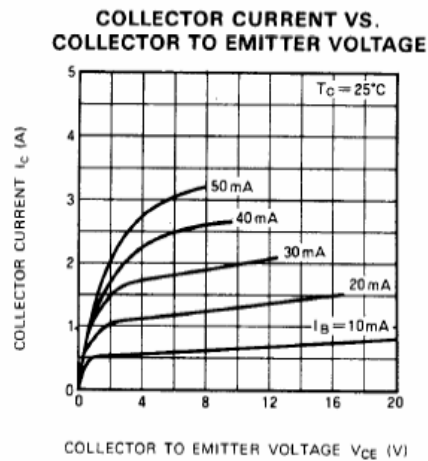
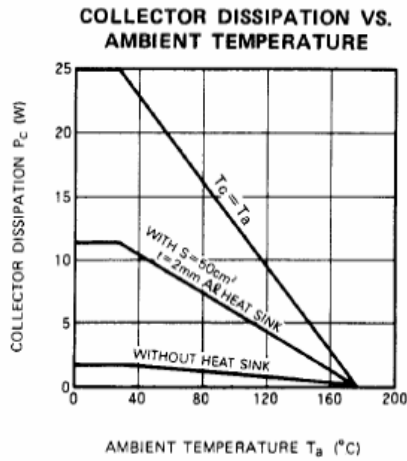
Symbol	Parameter	Test conditions	Limits			Unit
			Min	Typ	Max	
$V_{(BR)EBO}$	Emitter to base breakdown voltage	$I_E = 10\text{mA}$, $I_C = 0$	4			V
$V_{(BR)CBO}$	Collector to base breakdown voltage	$I_C = 10\text{mA}$, $I_E = 0$	35			V
$V_{(BR)CEO}$	Collector to emitter breakdown voltage	$I_C = 50\text{mA}$, $R_{BE} = \infty$	17			V
I_{CBO}	Collector cutoff current	$V_{CB} = 25\text{V}$, $I_E = 0$			1000	μA
I_{EBO}	Emitter cutoff current	$V_{EB} = 3\text{V}$, $I_C = 0$			500	μA
h_{FE}	DC forward current gain *	$V_{CE} = 10\text{V}$, $I_C = 0.1\text{A}$	10	50	180	—
P_O	Output power	$V_{CC} = 13.5\text{V}$, $P_{IN} = 2.5\text{W}$, $f = 175\text{MHz}$	14	15		W
η_C	Collector efficiency		60	70		%

Note. * Pulse test, $P_W = 150\mu\text{s}$, duty = 5%.
Above parameters, ratings, limits and conditions are subject to change.

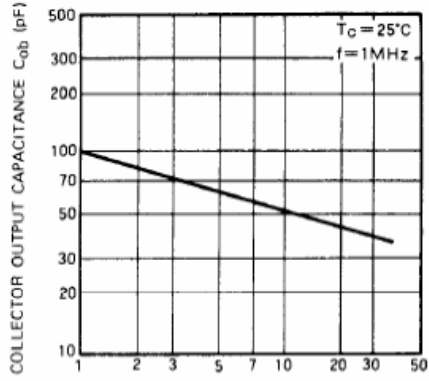
TEST CIRCUIT



TYPICAL PERFORMANCE DATA

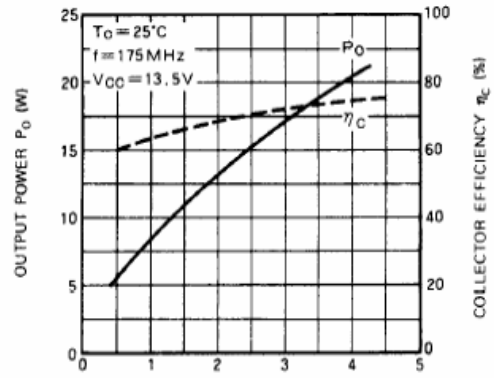


COLLECTOR OUTPUT CAPACITANCE VS. COLLECTOR TO BASE VOLTAGE



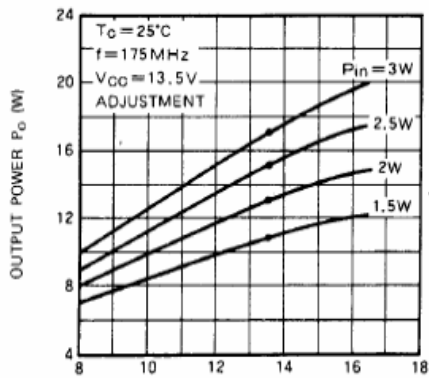
COLLECTOR TO BASE VOLTAGE V_{CB} (V)

OUTPUT POWER, COLLECTOR EFFICIENCY VS. INPUT POWER



INPUT POWER P_{in} (W)

OUTPUT POWER VS. COLLECTOR SUPPLY VOLTAGE



COLLECTOR SUPPLY VOLTAGE V_{CC} (V)



ELEFLOW OFFICES

<p>CHINA</p> <p>ELEFLOW TECHNOLOGIES(HQ) Suite1-603, HuaKang Plaza 109 ZhenXing Road, Futian District ShenZhen518031, P.R. China Phone: 86-755-83204665/83204663 Fax: 86-755-8320 4659 Email: eleflow@163.com</p> <p>USA</p> <p>ELEFLOW TECHNOLOGIES(USA) Mr. Ted Seymore (Manager) 3291 NE 4th Ave., Boca Raton Florida 33431-6011, USA Phone: 408-716-8509 Fax: 561-852-0505 Email: tedseymour@adelphia.net</p>	<p>R & D CENTER</p> <p>ELEFLOW TECHNOLOGIES(R&D CENTER) Overseas Chinese High-Tech Venture Park No. 12 South, Hi-tech Park, NanShan Dist. ShenZhen518057, China</p> <p>CHENGDU, CHINA</p> <p>Eleflow Technologies (Chengdu Office) Mr. Ou, Lin (Manager) Suite A401, Qunyi Business Centre 13 ErHuanLu NanYiDuan, Chengdu Sichuan610041, China Phone: 86-28-8521 3480 Fax: 86-28-8521 3480 Email: eleflow@163.com</p>
---	--

