



Micro Commercial Components



Micro Commercial Components
20736 Marilla Street Chatsworth
CA 91311
Phone: (818) 701-4933
Fax: (818) 701-4939

2SC2411-P
2SC2411-Q
2SC2411-R

Features

- Lead Free Finish/RoHS Compliant ("P" Suffix designates RoHS Compliant. See ordering information)
- High I_C . $I_{CMax.} = 0.5$ A
- Low $V_{CE(sat)}$. Optimal for low voltage operation.
- Epoxy meets UL 94 V-0 flammability rating
- Moisture Sensitivity Level 1

NPN Silicon
Epitaxial Transistors

Maximum Ratings @ $T_a = 25^\circ\text{C}$ (unless otherwise noted)

Symbol	Parameter	Value	Unit
I_C	Collector Current	0.5	A
P_D	Collector Power Dissipation	0.2	W
T_J	Junction Temperature	150	$^\circ\text{C}$
T_{STG}	Storage Temperature Range	-55 to +150	$^\circ\text{C}$

Electrical Characteristics @ 25°C Unless Otherwise Specified

Symbol	Parameter	Min	TYPE	Max	Units
OFF CHARACTERISTICS					
$V_{(BR)CEO}$	Collector-Emitter Breakdown Voltage ($I_C=1\text{mA}, I_B=0$)	32			V
$V_{(BR)CBO}$	Collector-Base Breakdown Voltage ($I_C=100\mu\text{A}, I_E=0$)	40			V
$V_{(BR)EBO}$	Collector-Base Breakdown Voltage ($I_E=100\mu\text{A}, I_C=0$)	5.0			V
I_{CBO}	Collector-Base Cutoff Current ($V_{CB}=20\text{Vdc}, I_E=0$)			1	μA
I_{EBO}	Emitter-Base Cutoff Current ($V_{EB}=4.0\text{Vdc}, I_C=0$)			1	μA

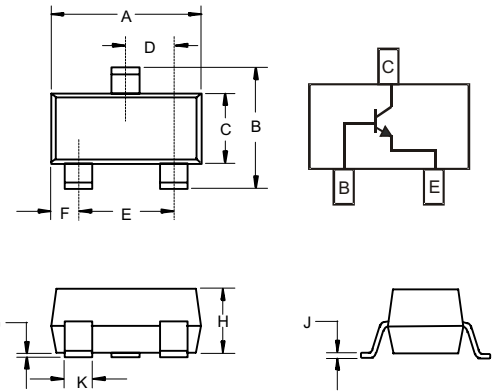
ON CHARACTERISTICS

H_{FE}	DC Current Gain ($I_C=100\text{mA}, V_{CE}=3.0\text{Vdc}$)	82		390	
$V_{CE(sat)}$	Collector-Emitter Saturation Voltage ($I_C=500\text{mA}, I_B=50\text{mA}$)			0.4	Vdc
F_T	Transition Frequency ($V_{CE}=5\text{Vdc}, I_C=20\text{mA}, f=100\text{MHZ}$)		250		MHZ
C_{ob}	($V_{CB}=10\text{Vdc}, I_E=0, f=1\text{MHZ}$)		6.0		pF

CLASSIFICATION OF h_{FE}

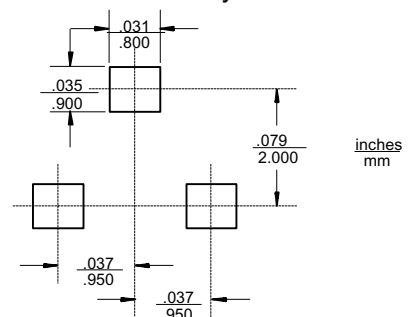
Rank	P	Q	R
Range	82-180	120-270	180-390
Marking	CP	CQ	CR

SOT-23



DIM	INCHES		MM		NOTE
	MIN	MAX	MIN	MAX	
A	.110	.120	2.80	3.04	
B	.083	.098	2.10	2.64	
C	.047	.055	1.20	1.40	
D	.035	.041	.89	1.03	
E	.070	.081	1.78	2.05	
F	.018	.024	.45	.60	
G	.0005	.0039	.013	.100	
H	.035	.044	.89	1.12	
J	.003	.007	.085	.180	
K	.015	.020	.37	.51	

Suggested Solder Pad Layout



2SC2411 Typical characteristics

● Electrical characteristic curves

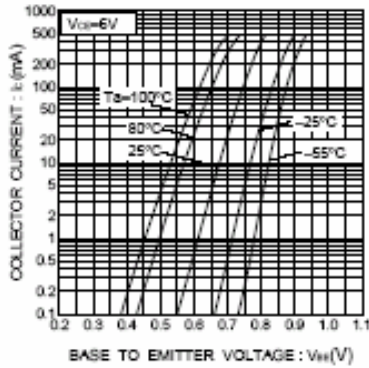


Fig.1 Grounded emitter propagation characteristics

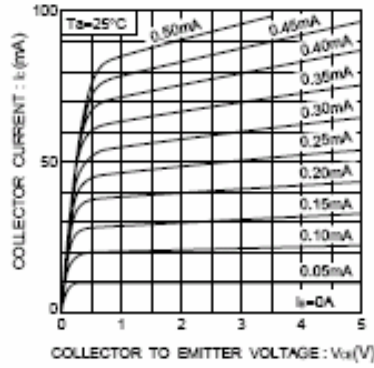


Fig.2 Grounded emitter output characteristics(I)

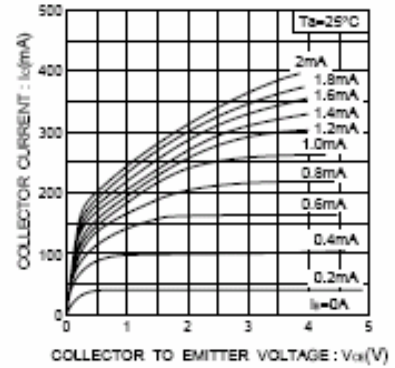


Fig.3 Grounded emitter output characteristics(II)

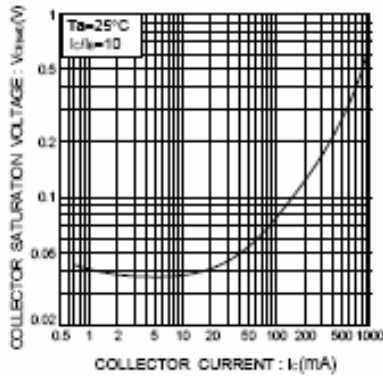


Fig.4 Collector-emitter saturation voltage vs. collector current

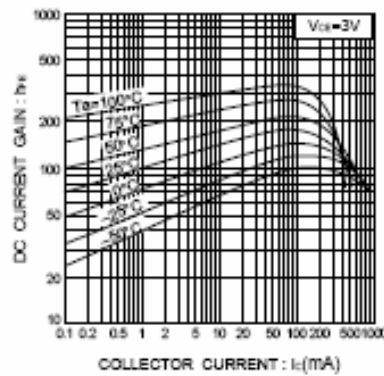


Fig.5 DC current gain vs. collector current

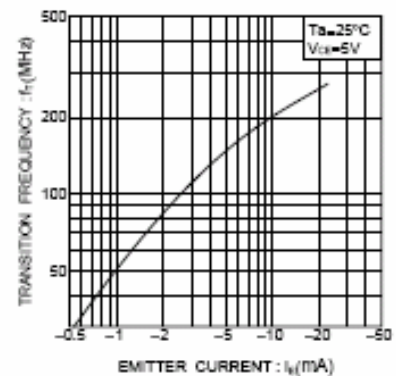


Fig.6 Gain bandwidth product vs. emitter current

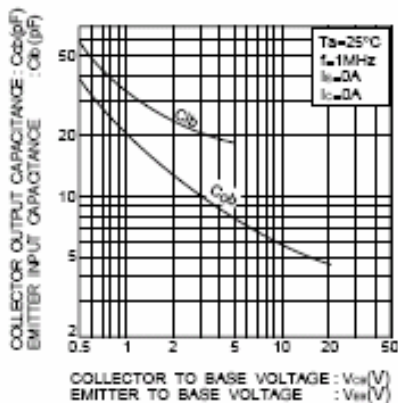


Fig.7 Collector output capacitance vs. collector-base voltage
Emitter input capacitance vs. emitter-base voltage



TM

Micro Commercial Components

Ordering Information :

Device	Packing
Part Number-TP	Tape&Reel; 3Kpcs/Reel

IMPORTANT NOTICE

Micro Commercial Components Corp. reserves the right to make changes without further notice to any product herein to make corrections, modifications, enhancements, improvements, or other changes. **Micro Commercial Components Corp.** does not assume any liability arising out of the application or use of any product described herein; neither does it convey any license under its patent rights, nor the rights of others. The user of products in such applications shall assume all risks of such use and will agree to hold **Micro Commercial Components Corp.** and all the companies whose products are represented on our website, harmless against all damages.

LIFE SUPPORT

MCC's products are not authorized for use as critical components in life support devices or systems without the express written approval of Micro Commercial Components Corporation.

CUSTOMER AWARENESS

Counterfeiting of semiconductor parts is a growing problem in the industry. Micro Commercial Components (MCC) is taking strong measures to protect ourselves and our customers from the proliferation of counterfeit parts. MCC strongly encourages customers to purchase MCC parts either directly from MCC or from Authorized MCC Distributors who are listed by country on our web page cited below. Products customers buy either from MCC directly or from Authorized MCC Distributors are genuine parts, have full traceability, meet MCC's quality standards for handling and storage. **MCC will not provide any warranty coverage or other assistance for parts bought from Unauthorized Sources.** MCC is committed to combat this global problem and encourage our customers to do their part in stopping this practice by buying direct or from authorized distributors.

www.mccsemi.com