



TO-251 Plastic-Encapsulated Transistors

2SC4003 TRANSISTOR (NPN)

FEATURES

Power dissipation

$$P_{CM}: 1 \text{ W (Tamb=25°C)}$$

Collector current

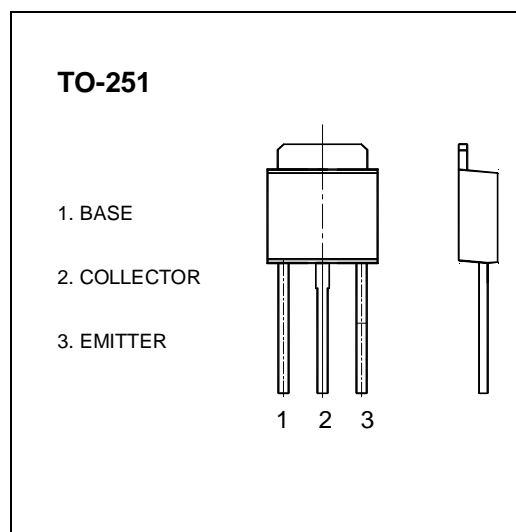
$$I_{CM}: 200 \text{ mA}$$

Collector-base voltage

$$V_{(BR)CBO}: 400 \text{ V}$$

Operating and storage junction temperature range

$$T_J, T_{stg}: -55°C \text{ to } +150°C$$



ELECTRICAL CHARACTERISTICS (Tamb=25°C unless otherwise specified)

Parameter	Symbol	Test conditions	MIN	TYP	MAX	UNIT
Collector-base breakdown voltage	$V_{(BR)CBO}$	$I_C=10\mu A, I_E=0$	400			V
Collector-emitter breakdown voltage	$V_{(BR)CEO}$	$I_C=1mA, I_B=0$	400			V
Emitter-base breakdown voltage	$V_{(BR)EBO}$	$I_E=10\mu A, I_C=0$	5			V
Collector cut-off current	I_{CBO}	$V_{CB}=300V, I_E=0$			0.1	μA
Emitter cut-off current	I_{EBO}	$V_{EB}=4V, I_C=0$			0.1	μA
DC current gain	$h_{FE(1)}$	$V_{CE}=10V, I_C=50mA$	60		200	
Collector-emitter saturation voltage	$V_{CE(sat)}$	$I_C=50mA, I_B=5mA$			0.6	V
Base-emitter saturation voltage	$V_{BE(sat)}$	$I_C=50mA, I_B=5mA$			1	V
Transition frequency	f_T	$V_{CE}=30V, I_C=10mA$		70		MHz

CLASSIFICATION OF $h_{FE(1)}$

Rank	D	E
Range	60-120	100-200