

2SC5621

FOR HIGH FREQUENCY AMPLIFY APPLICATION
SILICON NPN EPITAXIAL TYPE

DESCRIPTION

2SC5621 is a super mini package resin sealed silicon NPN epitaxial transistor.

It is designed for high frequency voltage application.

FEATURE

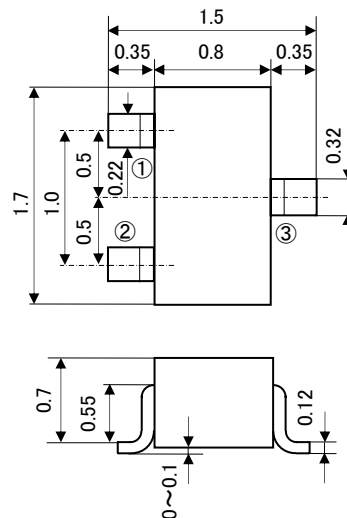
- High gain bandwidth product. $f_T=4.5\text{GHz}$
- High gain, low noise.
- Can operate at low voltage.
- Super mini package for easy mounting.

APPLICATION

For TV tuners, High frequency voltage amplifier,
Cellular phone system

OUTLINE DRAWING

Unit: mm



TERMINAL CONNECTOR

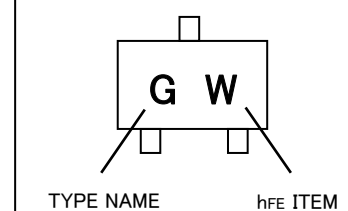
- ①: BASE
- ②: EMITTER
- ③: COLLECTOR

JEITA: SC-75A

MAXIMUM RATINGS ($T_a=25^\circ\text{C}$)

Symbol	Parameter	Ratings	Unit
VCBO	Collector to Base voltage	20	V
VCEO	Collector to Emitter voltage	12	V
VEBO	Emitter to Base voltage	3	V
IC	Collector current	50	mA
PC	Collector dissipation	100	mW
T _j	Junction temperature	+150	°C
T _{stg}	Storage temperature	-55~+150	°C

MARKING



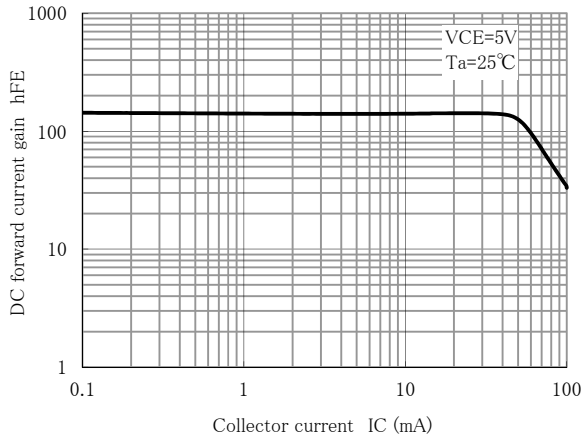
ELECTRICAL CHARACTERISTICS ($T_a=25^\circ\text{C}$)

Symbol	Parameter	Test conditions	Limits			Unit
			Min	Typ	Max	
ICBO	Collector cut off current	V _{CB} =10V, I _E =0mA	-	-	1.0	μA
IEBO	Emitter cut off current	V _{EB} =1V, I _C =0mA	-	-	1.0	μA
hFE	DC forward current gain	V _{CE} =5V, I _C =20mA	50	-	250	-
f _T	Gain bandwidth product	V _{CE} =5V, I _E =20mA	-	4.5	-	GHz
C _{ob}	Collector output capacitance	V _{CB} =5V, I _E =0mA, f=1MHz	-	1.0	-	pF
S ₂₁ ²	Insertion power gain	V _{CE} =5V, I _C =20mA, f=1GHz	7.5	9.0	-	dB
NF	Noise figure	V _{CE} =5V, I _C =5mA, f=1GHz	-	1.5	-	dB

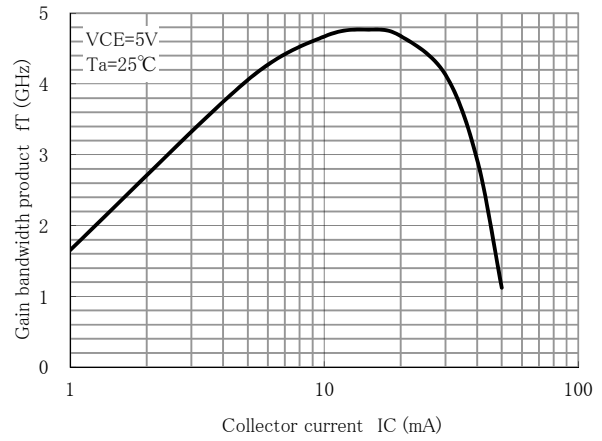
2SC5621

FOR HIGH FREQUENCY AMPLIFY APPLICATION
SILICON NPN EPITAXIAL TYPE

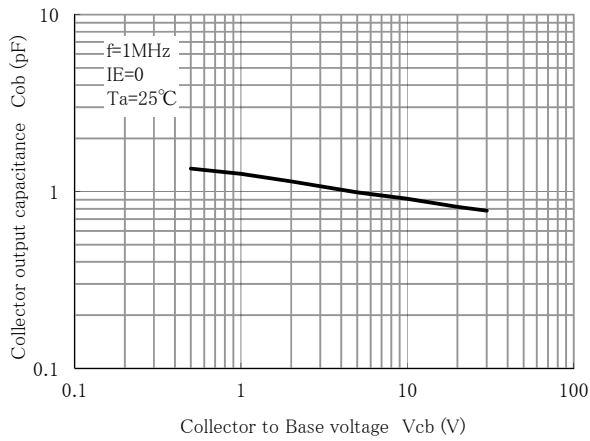
hFE - IC



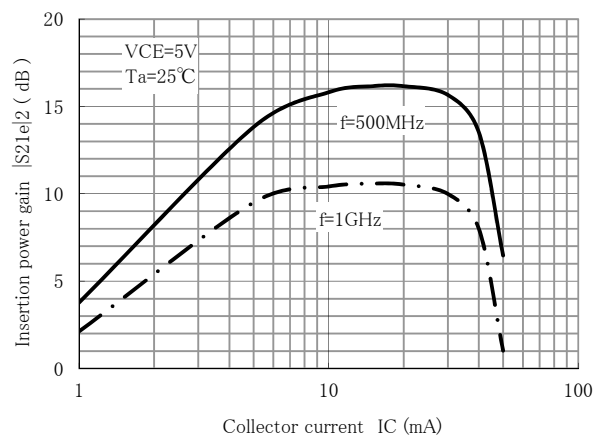
fT - IC



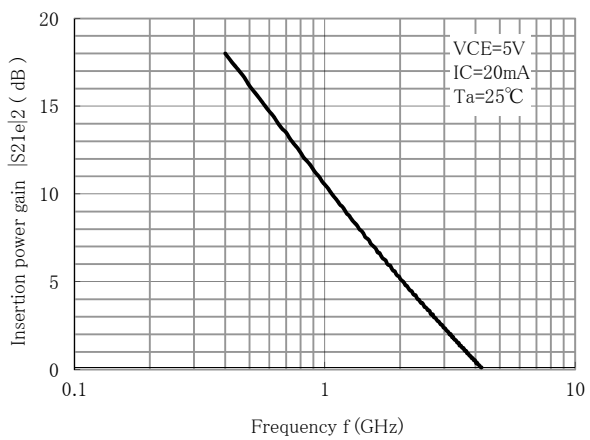
Cob - Vcb



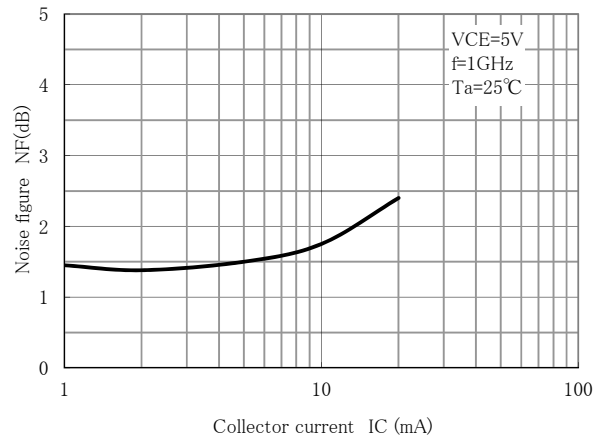
$|S_{21e}|^2$ - IC



$|S_{21e}|^2$ - f



NF - IC

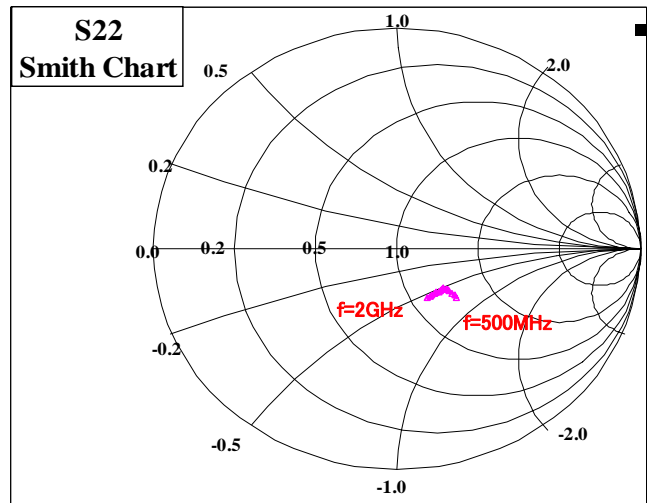
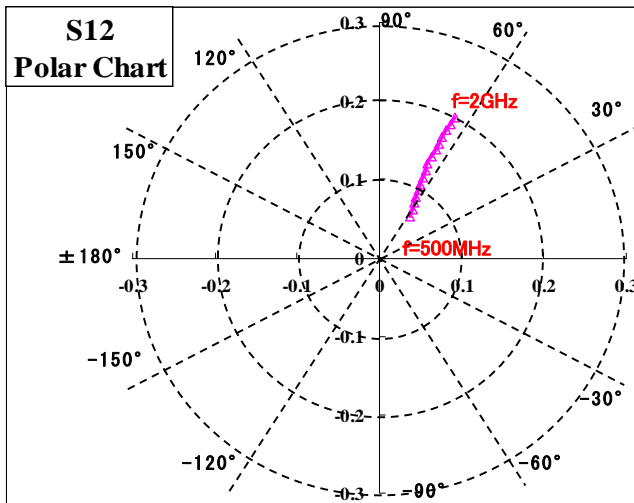
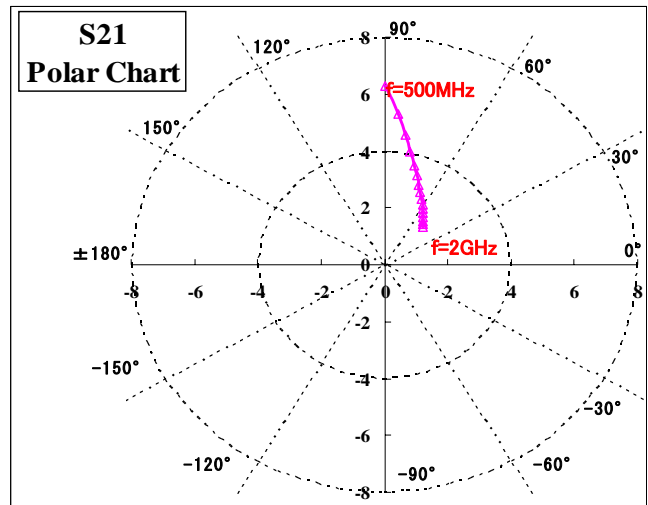
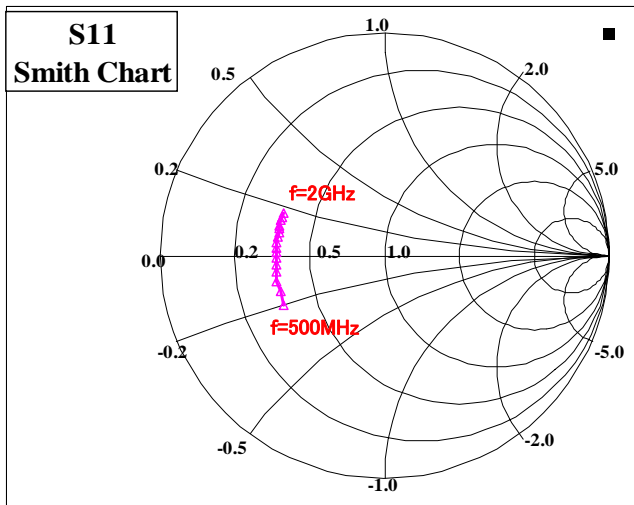


2SC5621

FOR HIGH FREQUENCY AMPLIFY APPLICATION
SILICON NPN EPITAXIAL TYPE

VCE=5V/IC=20mA

Frequency (MHz)	S11		S21		S12		S22	
	Mag	Ang(deg)	Mag	Ang(deg)	Mag	Ang(deg)	Mag	Ang(deg)
500	0.504	-153.8	6.300	89.7	0.065	54.6	0.329	-42.3
600	0.492	-160.7	5.314	85.5	0.073	56.7	0.317	-41.5
700	0.493	-166.4	4.616	82.0	0.082	58.5	0.304	-41.4
800	0.490	-171.4	4.055	78.4	0.089	60.2	0.284	-41.3
900	0.486	-175.1	3.633	74.8	0.098	61.4	0.277	-40.7
1000	0.480	-178.6	3.290	71.8	0.107	61.9	0.272	-42.1
1100	0.483	178.2	3.010	69.2	0.115	62.8	0.260	-42.2
1200	0.485	175.7	2.789	66.3	0.125	63.5	0.260	-44.1
1300	0.487	173.1	2.607	63.2	0.134	63.8	0.262	-45.1
1400	0.485	170.2	2.441	60.4	0.144	63.8	0.259	-47.1
1500	0.482	167.7	2.298	58.4	0.153	63.7	0.261	-49.3
1600	0.485	165.5	2.167	55.9	0.162	63.7	0.256	-50.7
1700	0.487	163.7	2.047	53.7	0.172	63.6	0.255	-53.4
1800	0.488	161.0	1.958	51.3	0.181	63.4	0.253	-55.0
1900	0.488	159.2	1.869	49.2	0.191	63.0	0.256	-58.2
2000	0.486	156.7	1.788	46.8	0.201	62.6	0.256	-60.6





6-41 Tsukuba, Isahaya, Nagasaki, 854-0065 Japan

Keep safety first in your circuit designs!

•ISAHAYA Electronics Corporation puts the maximum effort into making semiconductor products better and more reliable, but there is always the possibility that trouble may occur with them. Trouble with semiconductors may lead to personal injury, fire or property damage. Remember to give due consideration to safety when making your circuit designs, with appropriate measures such as (1) placement of substitutive, auxiliary, (2) use of non-flammable material or (3) prevention against any malfunction or mishap.

Notes regarding these materials

- These materials are intended as a reference to our customers in the selection of the ISAHAYA products best suited to the customer's application; they don't convey any license under any intellectual property rights, or any other rights, belonging ISAHAYA or third party.
- ISAHAYA Electronics Corporation assumes no responsibility for any damage, or infringement of any third party's rights, originating in the use of any product data, diagrams, charts or circuit application examples contained in these materials.
- All information contained in these materials, including product data, diagrams and charts, represent information on products at the time of publication of these materials, and are subject to change by ISAHAYA Electronics Corporation without notice due to product improvements or other reasons. It is therefore recommended that customers contact ISAHAYA Electronics Corporation or an authorized ISAHAYA products distributor for the latest product information before purchasing product listed herein.
- ISAHAYA Electronics Corporation products are not designed or manufactured for use in a device or system that is used under circumstances in which human life is potentially at stake. Please contact ISAHAYA electronics corporation or an authorized ISAHAYA products distributor when considering the use of a product contained herein for any specific purposes, such as apparatus or systems for transportation, vehicular, medical, aerospace, nuclear, or undersea repeater use.
- The prior written approval of ISAHAYA Electronics Corporation is necessary to reprint or reproduce in whole or in part these materials.
- If these products or technologies are subject to the Japanese export control restrictions, they must be exported under a license from the Japanese government and cannot be imported into a country other than the approved destination. Any diversion or re-export contrary to the export control laws and regulations of Japan and/or the country of destination is prohibited.
- Please contact ISAHAYA Electronics Corporation or authorized ISAHAYA products distributor for further details on these materials or the products contained therein.