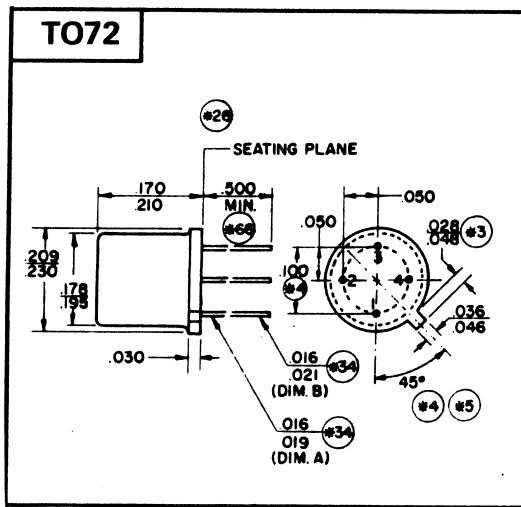


New Jersey Semi-Conductor Products, Inc.

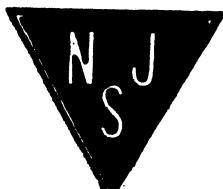
20 STERN AVE.
 SPRINGFIELD, NEW JERSEY 07081
 U.S.A.

TELEPHONE: (973) 376-2922
 (212) 227-6005
 FAX: (973) 376-8960

Type No.	Maximum Ratings					Electrical Characteristics (Ta=25°C, Unless Otherwise Specified)																							
	V _{CEO} (V) Min	V _{CE0} (V) Min	V _{EB0} (V) Min	P _D (W) @ Ta=25°C	I _C (A)	I _{CEO} (μA) Max	V _{CE0} (V) Max	I _{CES} Max	V _{CE}	h _{FE} Min	h _{FE} Max	I _C & (mA)	V _{CE} (V)	V _{CE(SAT)} (V) Max	V _{CE(SAT)} (V) Min	V _{BE(SAT)} (V) Max	V _{BE(SAT)} (V) Min	I _{CES} (mA) Max	C _{es} (pF) Max	f _i (MHz) Min	f _i (MHz) Typ	f _i (MHz) Max	I _C (mA)	NF (dB) Max	Freq (MHz)	C _{re} (pF) Max	CDIL Case Style		
2N3933	40	30	2.5	0.2		0.01	15			60	200	2	8						0.55	750	1600	2	4	200				TO-72	
2N5179	20	12	2.5	0.2	0.05	0.02	15			25	250	3	1	0.4		1	10		1	900	2000	5	4.5	200				TO-72	
2N917	30	15	3	0.2	0.05	1	15			20	200	3	1	0.4		1	10		2	6		4					TO-72		
2N918	30	15	3	0.2	0.05	0.01	15			20		3	1	0.4		1	10		1.7	600		4					TO-72		
2SC2570	25	12	3	0.6	0.07	0.1	15			40	200	20	10						0.9		5000	20	3	1000				TO-72-1	
2SC568	30	15	3	0.2	0.02	0.1	15			30	250	2	6						1	2		5	5				TO-72		
BF115	50	30	5	0.145	0.03					48	167	1	10								230	1						TO-72	
BF167	40	30	4	0.15	0.03			0.05	10	30		4	10															TO-72	
BF173	40	25	4	0.2	0.03					15		20	2									550	5	3.5	36			TO-72	
BF180	30	20	3	0.15	0.02	0.1	20			13		2	10															TO-72	
BF181	30	20	3	0.15	0.02	0.1	20			6		12	7															TO-72	
BF182	25	20	3	0.15	0.02	0.4	15			10		2	10								650	2	3.3		0.33			TO-72-1	
BF184	30	20	5	0.145	0.03					67	220	1	10	0.7		0.74	1				200		1	2		0.9			TO-72-1
BF185	30	20	5	0.145	0.03					36	125	1	10	0.7		0.74	1				200	260	1	2		0.9			TO-72-1
BF200	30	20	3	0.15	0.02	0.1	40			15		3	10															TO-72	



CDIL Code Style	PIN 1	PIN 2	PIN 3	PIN 4
TO-72	Emitter	Base	Collector	Case
TO-72-1	Base	Emitter	Collector	Case
TO-72-2	Source	Drain	Gate	Case



NJ Semi-Conductors reserves the right to change test conditions, parameter limits and package dimensions without notice. Information furnished by NJ Semi-Conductors is believed to be both accurate and reliable at the time of going to press. However NJ Semi-Conductors assumes no responsibility for any errors or omissions discovered in its use. NJ Semi-Conductors encourages customers to verify that datasheets are current before placing orders.