

Silicon NPN Power Transistors

2SD1886

DESCRIPTION

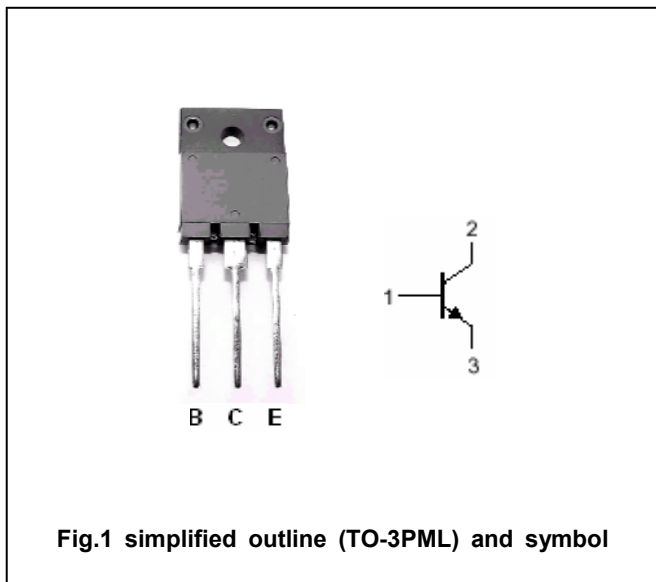
- With TO-3PML package
- High breakdown voltage
- High reliability
- High speed

APPLICATIONS

- Color TV horizontal deflection output.
- Color display horizontal deflection output.

PINNING

| PIN | DESCRIPTION |
|-----|-------------|
| 1 | Base |
| 2 | Collector |
| 3 | Emitter |



Absolute maximum ratings(Ta=25°C)

| SYMBOL | PARAMETER | CONDITIONS | VALUE | UNIT |
|------------------|-----------------------------|----------------------|---------|------|
| V _{CBO} | Collector-base voltage | Open emitter | 1500 | V |
| V _{CEO} | Collector-emitter voltage | Open base | 800 | V |
| V _{EBO} | Emitter-base voltage | Open collector | 6 | V |
| I _C | Collector current | | 8 | A |
| I _{CM} | Collector current-peak | | 30 | A |
| P _C | Collector power dissipation | T _C =25°C | 70 | W |
| T _j | Junction temperature | | 150 | °C |
| T _{stg} | Storage temperature | | -55~150 | °C |

Silicon NPN Power Transistors

2SD1886

CHARACTERISTICS

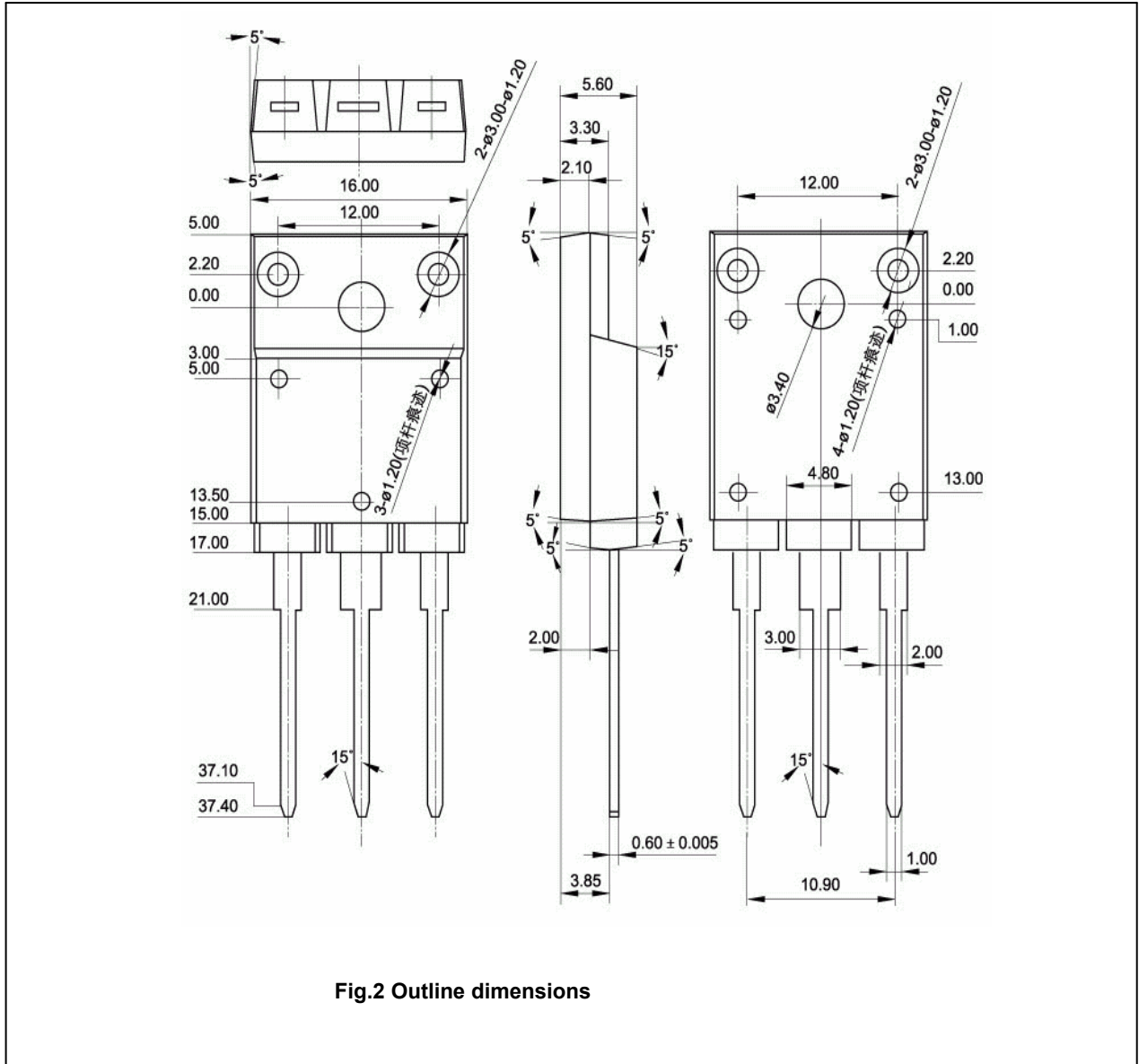
T_j=25°C unless otherwise specified

| SYMBOL | PARAMETER | CONDITIONS | MIN | TYP. | MAX | UNIT |
|-----------------------|--------------------------------------|--|-----|------|-----|------|
| V _{CEsat} | Collector-emitter saturation voltage | I _C =6A; I _B =1.2 A | | | 5 | V |
| V _{BEsat} | Base-emitter saturation voltage | I _C =6A; I _B =1.2 A | | | 1.5 | V |
| V _{CEO(SUS)} | Collector-emitter sustaining voltage | I _C =100mA; I _B =0 | 800 | | | V |
| I _{EBO} | Emitter cut-off current | V _{EB} =4V; I _C =0 | | | 1 | mA |
| I _{CBO} | Collector cut-off current | V _{CB} =800V; I _E =0 | | | 10 | μA |
| I _{CES} | Collector cut-off current | V _{CE} =1500V; R _{BE} =0 | | | 1 | mA |
| h _{FE-1} | DC current gain | I _C =1 A ; V _{CE} =5V | 8 | | | |
| h _{FE-2} | DC current gain | I _C =6A ; V _{CE} =5V | 5 | | 10 | |
| t _f | Fall time | I _C =6A; R _L =33.3Ω; I _{B1} =1.2A I _{B2} =-2.4A V _{CC} =200V | | 0.1 | 0.3 | μs |

Silicon NPN Power Transistors

2SD1886

PACKAGE OUTLINE



Silicon NPN Power Transistors

2SD1886

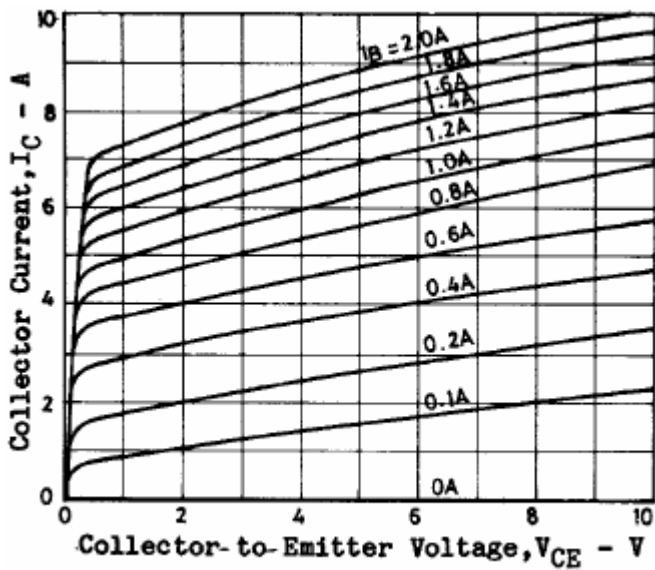


Fig.3 Static Characteristic

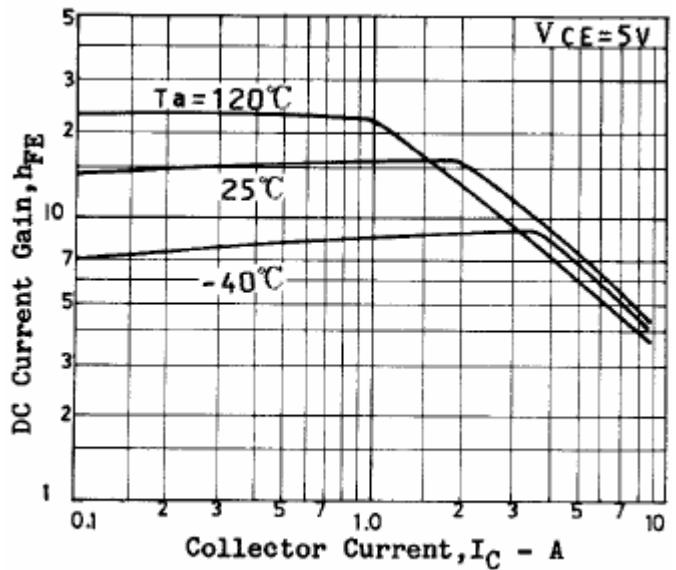


Fig.4 DC current Gain

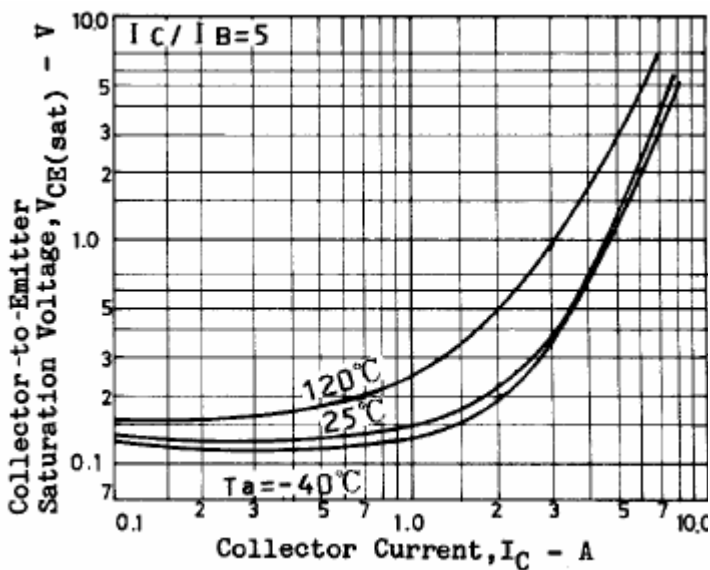


Fig.5 Collector-Emitter Saturation Voltage

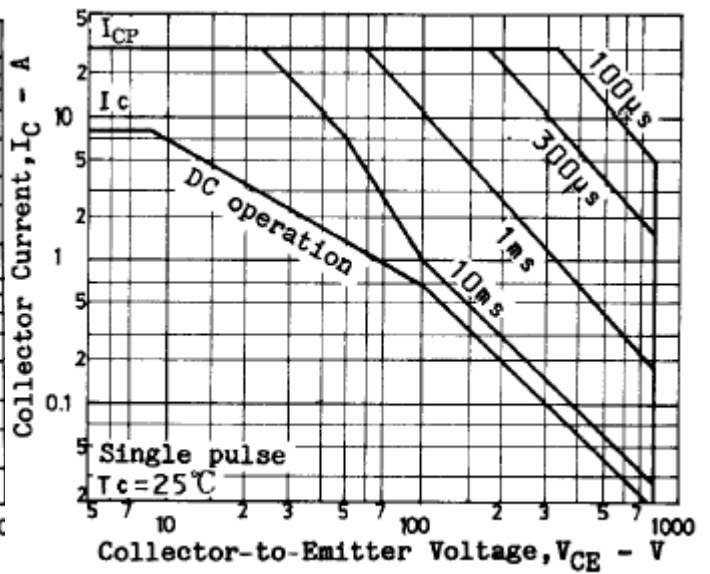


Fig.6 Safe Operating Area