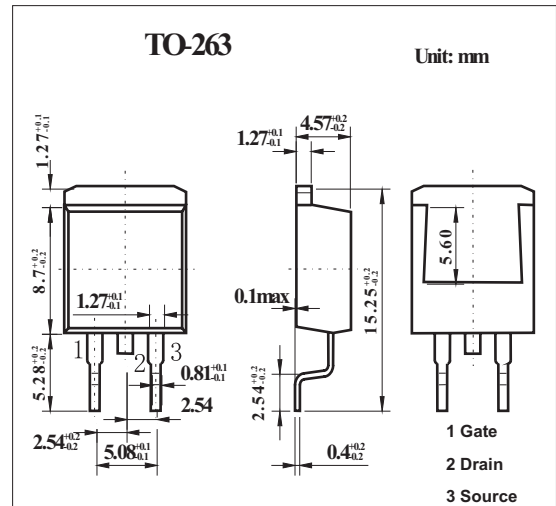
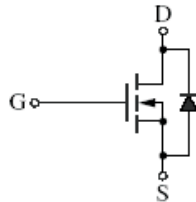


■ Features

- Low on-resistance, low  $Q_g$
- High avalanche resistance
- For high-speed switching



■ Absolute Maximum Ratings  $T_a = 25^\circ\text{C}$

Parameter	Symbol	Rating	Unit
Drain-source surrender voltage	$V_{DSS}$	150	V
Gate-source surrender voltage	$V_{GSS}$	$\pm 30$	V
Drain current	$I_D$	30	A
Peak drain current	$I_{DP}$	120	A
Power dissipation	$P_D$	50	W
Power dissipation $T_a = 25^\circ\text{C}$		3	
Channel temperature	$T_{ch}$	150	$^\circ\text{C}$
Storage temperature	$T_{stg}$	-55 to +150	$^\circ\text{C}$

**■ Electrical Characteristics** Ta = 25°C

Parameter	Symbol	Testconditions	Min	Typ	Max	Unit
Drain-source surrender voltage	V <sub>DSS</sub>	I <sub>D</sub> = 1 mA, V <sub>GS</sub> = 0	150			V
Gate threshold voltage	V <sub>th</sub>	V <sub>DS</sub> = 25 V, I <sub>D</sub> = 1 mA	2		4	V
Drain-source cutoff current	I <sub>DSS</sub>	V <sub>DS</sub> = 120 V, V <sub>GS</sub> = 0			100	μA
Gate-source cutoff current	I <sub>GSS</sub>	V <sub>GS</sub> = ±30 V, V <sub>DS</sub> = 0			±1	μA
Drain-source ON resistance	R <sub>DS(on)</sub>	V <sub>GS</sub> = 10 V, I <sub>D</sub> = 15 A		33	42	mΩ
Forward transfer admittance	Y <sub>fs</sub>	V <sub>DS</sub> = 25 V, I <sub>D</sub> = 15 A	8	18		S
Short-circuit forward transfer capacitance	C <sub>iss</sub>	V <sub>DS</sub> = 25 V, V <sub>GS</sub> = 0, f = 1 MHz		2 900		pF
Short-circuit output capacitance	C <sub>oss</sub>			618		pF
Reverse transfer capacitance	C <sub>rss</sub>			91		pF
Turn-on delay time	t <sub>d(on)</sub>	V <sub>DD</sub> ≈ 100 V, I <sub>D</sub> = 15 A, R <sub>L</sub> = 6.7 Ω, V <sub>GS</sub> = 10 V		32		ns
Rise time	T <sub>r</sub>			46		ns
Turn-off delay time	t <sub>d(off)</sub>			227		ns
Fall time	t <sub>f</sub>			66		ns
Diode forward voltage	V <sub>DSF</sub>	I <sub>DR</sub> = 30 A, V <sub>GS</sub> = 0			-1.5	V
Reverse recovery time	t <sub>rr</sub>	L = 230 μH, V <sub>DD</sub> = 100 V I <sub>DR</sub> = 15 A, di/dt = 100 A/μs		130		ns
Reverse recovery charge	Q <sub>rr</sub>			533		nC
Gate charge load	Q <sub>g</sub>	V <sub>DD</sub> = 100 V, I <sub>D</sub> = 15 A, V <sub>GS</sub> = 10 V		55.4		nC
Gate-source charge	Q <sub>gs</sub>			9.1		nC
Gate-drain charge	Q <sub>gd</sub>			22.4		nC
Thermal resistance (ch-c)	R <sub>th(ch-c)</sub>				2.5	°C/W
Thermal resistance (ch-a)	R <sub>th(ch-a)</sub>				89.2	°C/W

**■ Marking**

Marking	K3723
---------	-------