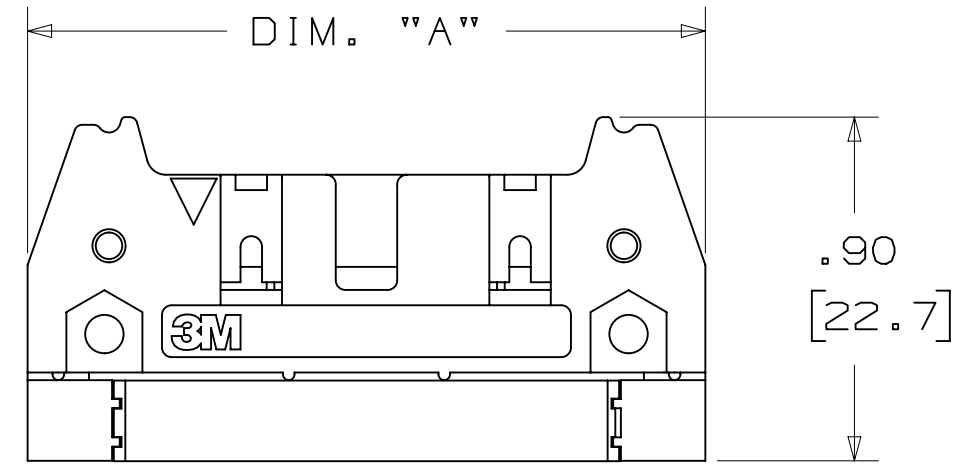
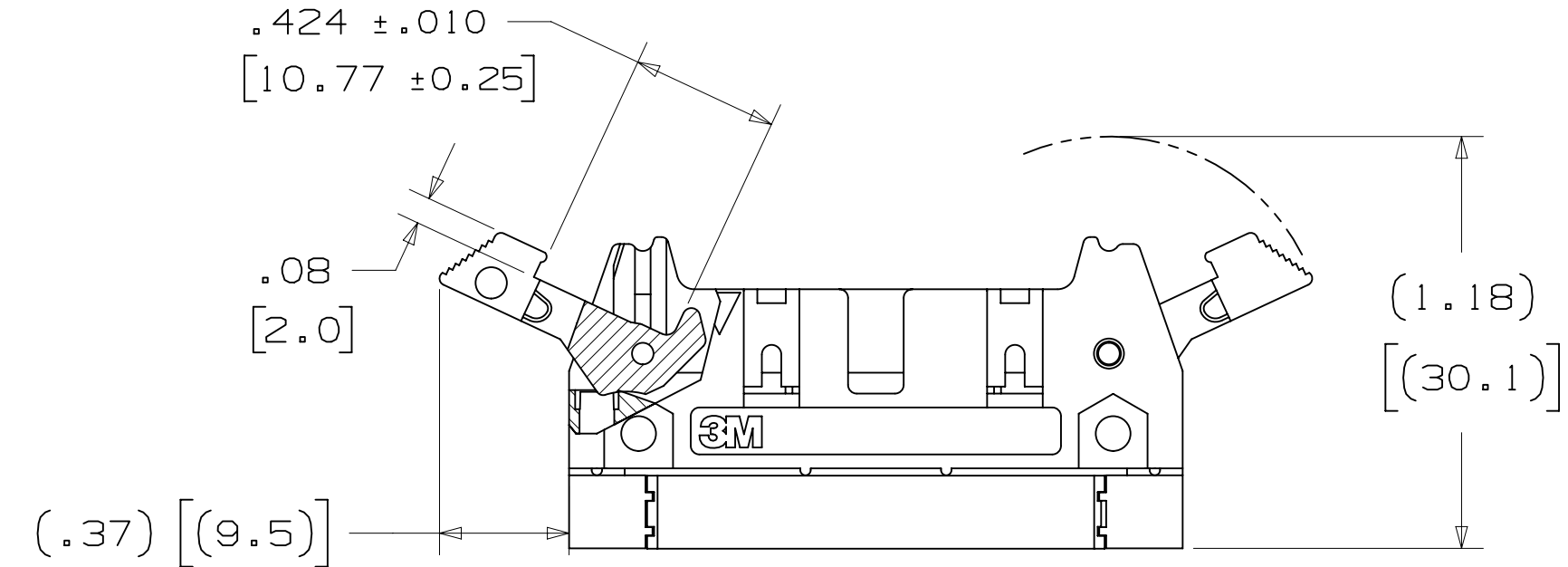


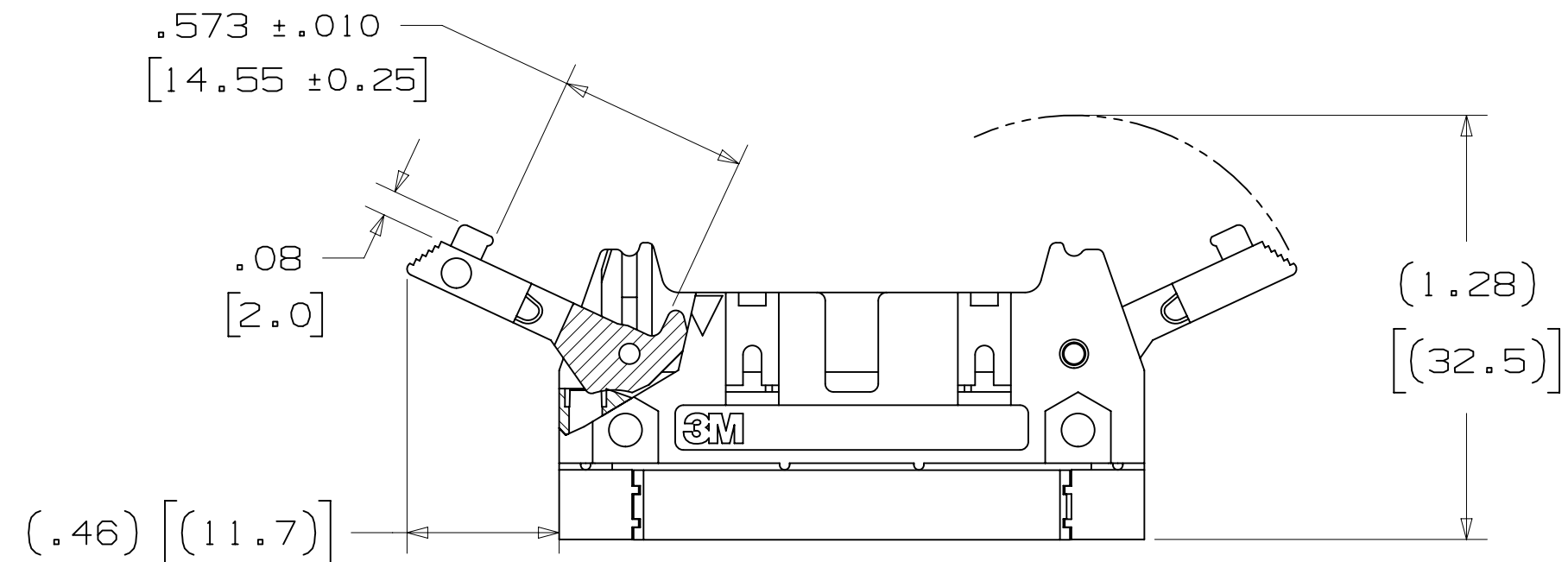
**3M™ FOUR-WALL CONDO HEADER, 3000 SERIES**  
 .100" X .100" LATCH/EJECTOR, RIGHT ANGLE



**-L00X**  
 HEADER WITHOUT LATCH/EJECTOR



**-L20X**  
 HEADER WITH SHORT LATCH/EJECTOR  
 FOR 3M SOCKETS WITHOUT STRAIN RELIEF



**-L30X**  
 HEADER WITH LONG LATCH/EJECTOR  
 FOR 3M SOCKETS WITH STRAIN RELIEF

- \* STACKED PINS CONSERVE SPACE ON THE CIRCUIT BOARD ALLOWING HIGHER DENSITY PACKAGING.
- \* PIN QUANTITY TO 128 GIVES DESIGN FLEXIBILITY WITH LATCHING.
- \* "HDI" ALTERNATIVE.
- \* ACCEPTS STANDARD IDC SOCKETS.
- \* MATES WITH STANDARD FLAT CABLE HARNESES.
- \* HIGH TEMPERATURE INSULATOR SUITABLE FOR "NO LEAD" SOLDERING OPERATIONS.
- \* SUITABLE FOR REFLOW SOLDERING USING "PASTE IN HOLE" TECHNIQUES.

**2 PHYSICAL :**

INSULATOR: GLASS FILLED POLYESTER (PCT)  
 MATERIAL: UL94V-0  
 FLAMMABILITY: COLOR: BLACK  
 CONTACT: MATERIAL: COPPER ALLOY  
 PLATING:  
 UNDER PLATING: 100µ" [2.54µm] NICKEL-OVERALL  
 WIPING AREA: 30µ" [0.76µm] AVG. GOLD  
 SOLDER TAILS: 200µ" [5.08µm] TIN LEAD OR MATTE TIN (SEE ORDERING INFORMATION)  
 MARKINGS: 3M LOGO, PART IDENTIFICATION NUMBER AND ORIENTATION TRIANGLE

**2 ELECTRICAL :**

CURRENT RATING: 1A (EIA 364-70)  
 INSULATION RESISTANCE: >1 X 10<sup>9</sup>Ω AT 500 V<sub>DC</sub>  
 WITHSTANDING VOLTAGE: 1,000V<sub>RMS</sub> AT SEA LEVEL

**2 ENVIRONMENTAL :**

TEMPERATURE RATING: -55°C TO 105°C  
 PROCESS RATING: 260°C, PER J-STD-020C, SINGLE PASS  
 MOISTURE SENSITIVITY LEVEL: 1 (PER J-STD-020C)

**NOTES**

1. REGULATORY INFORMATION: ROHS COMPLIANT. SEE THE REGULATORY INFORMATION APPENDIX (RIA) IN THE "ROHS COMPLIANCE" SECTION OF WWW.3MCONNECTORS.COM FOR COMPLIANCE INFORMATION.

2. IN THE EVENT OF CONFLICT BETWEEN THIS DATA AND THAT CONTAINED IN THE PRODUCT SPECIFICATION, THE PRODUCT SPECIFICATION TAKES PRECEDENT.

3. NOTCHES A & C WILL ACCOMODATE 3M POLARIZING KEY: N3518.

4. MOUNTING HARDWARE: FROM SOLDER SIDE OF PC BOARD USE #4-24 THREAD CUTTING SCREW (3M PART #3341-5) AND Ø .116 [2.95] MOUNTING HOLE.

**ORDERING INFORMATION**

**X3XXX - LXXXXX**

N = HIGH TEMP BLACK (PCT)/(RB PLATING REQ'D)  
 BLANK = (UB PLATING)

3M PART NUMBER:  
 (SEE TABLE 1)

**LATCH/EJECTOR SYSTEM:**  
 0 = NO LATCH/EJECTOR INSTALLED  
 2 = SHORT ROLL PIN LATCH/EJECTORS  
 3 = LONG ROLL PIN LATCH/EJECTORS

**PLATING:**

RB = 30µ" [0.76µm] GOLD AND 200µ" [5.08µm] MATTE TIN  
 (APP. E1 & C1 APPLY)  
 UB = 30µ" [0.76µm] GOLD AND 200µ" [5.08µm]  
 TIN LEAD (APP. E3 & C2 APPLY)

**TAIL:**

02 = FOR .062 [1.57] THICK BOARD  
 03 = FOR .094 TO .125 [2.39 TO 3.18] THICK BOARD

3M ELECTRONIC MATERIALS SOLUTIONS DIVISION  
 INTERCONNECT SOLUTIONS  
<http://www.3mconnectors.com>

3M IS A TRADEMARK OF 3M COMPANY.  
 FOR TECHNICAL, SALES OR ORDERING  
 INFORMATION CALL 800-225-5373

DIMENSIONS: INCHES [MM]  
 [MM] IS REF. ONLY

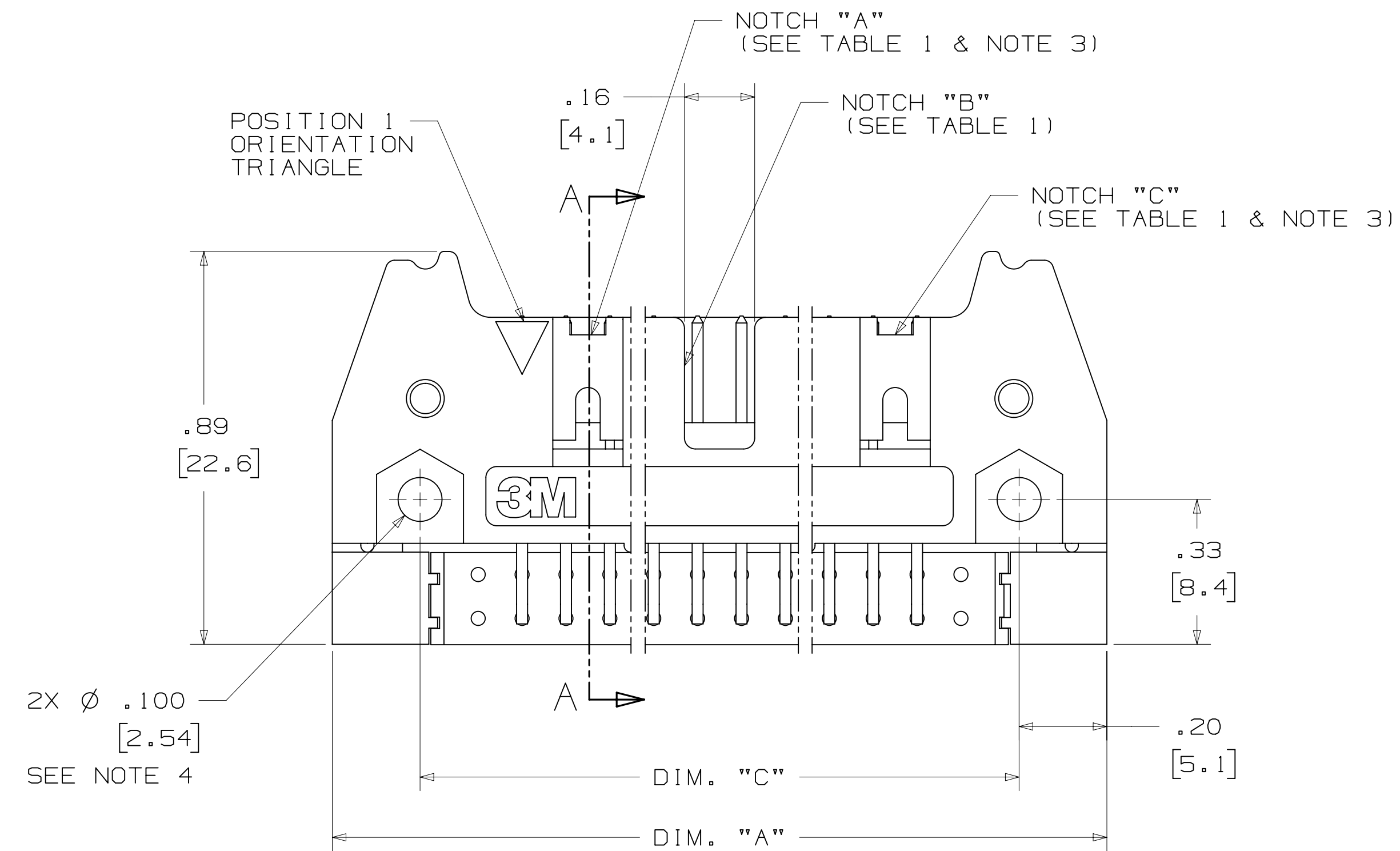
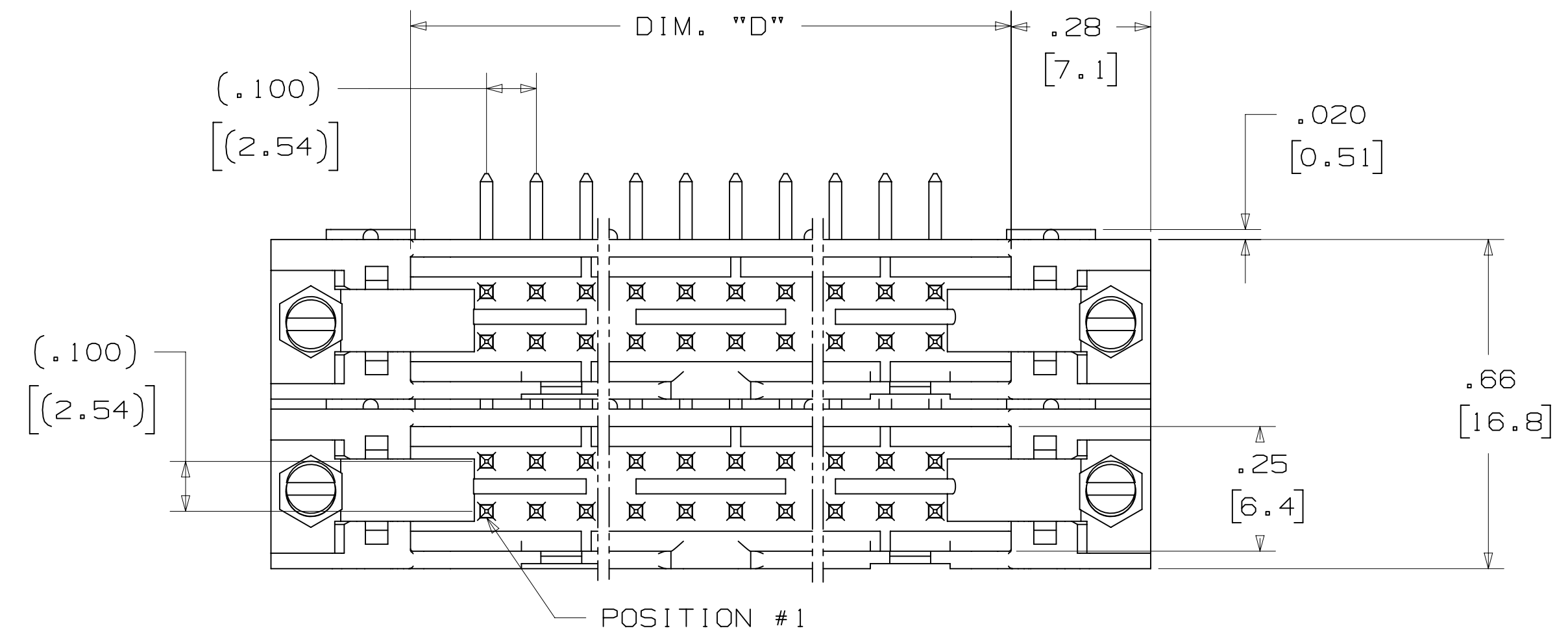
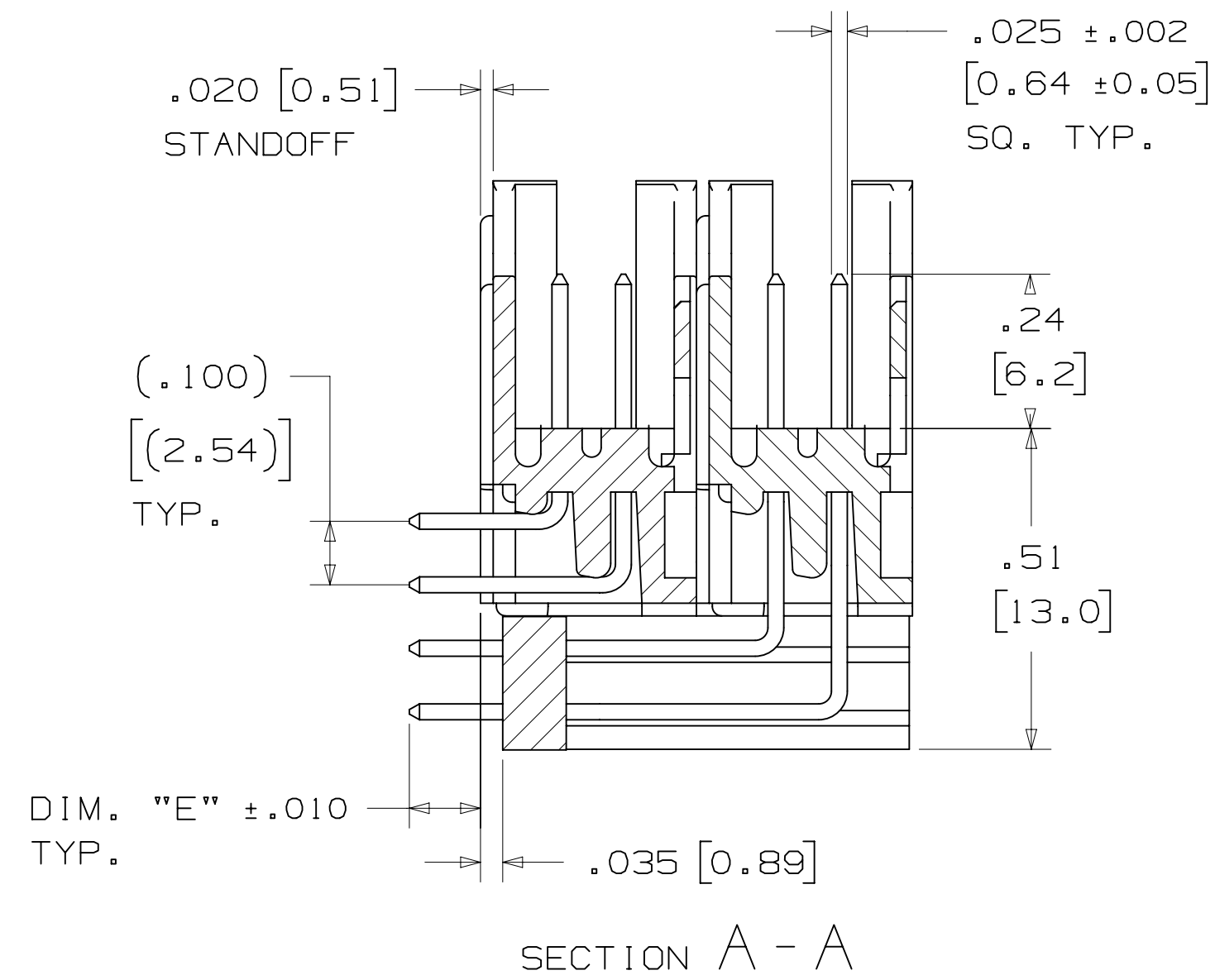
DESIGN REFERENCE	NEXT ASSEMBLY	REV	ECO	ISSUE DATE AND DESCRIPTION	DRFT	CHKD
Interconnect Solutions	EMSD	J	56068	AUG 05, 2014	JNC	RS
DO NOT SCALE DRAWING	SCALE 2/1	CHKO	C	AUG 05, 2014	JNC	RS
THIRD ANGLE PROJECTION	INTERPRET PER ASME Y14.5 - 2009	DATE	DATE	DATE	DATE	DATE
MAX SURFACE ROUGHNESS	RA SURFACES	APPR	R. SCHERER	SEP 05, 2014		
TOLERANCES EXCEPT AS NOTED	INCHES	DIVISION CODE 3M Center St. Paul, MN 55144 © 3M COPYRIGHT 2015 This document and the information it contains are 3M property and may not be reproduced or further distributed without 3M permission, or used or disclosed other than for 3M authorized purposes. All rights reserved.				
INTERPRET PER ASME Y14.5 - 2009	MILLIMETERS	TITLE <b>HEADER, 4-WALL, CONDO, .100 X .100 LATCH/EJECTOR, RA</b>				
MARKED ONLY	ANGL	CAGE NUMBER	SIZE	DRAWING NO.	REV.	
		D	78-5100-0774-9	K		
		MODEL	3000 SERIES	DET	YES	NO
		SHT	1	OF	3	

**CAUS**  
 UL FILE NO: E68080

78-5100-0774-9 K REVISION  
 K REVISED  
 12:57 PM UTC-06:00  
 Imaged: K.1 3/6/2015

# 3M™ FOUR-WALL CONDO HEADER, 3000 SERIES

.100" X .100" LATCH/EJECTOR, RIGHT ANGLE



PIN QTY.	3M PART NUMBER	DIM. "A"	DIM. "C"	DIM. "D"	POLARIZING NOTCHES	PIN QTY.
20	3793	1.26 [32.1]	.865 [21.97]	.71 [18.0]	BC	20
28	3314	1.46 [37.2]	1.065 [27.05]	.91 [23.1]	BC	28
32	3408	1.56 [39.7]	1.165 [29.59]	1.01 [25.6]	ABC	32
40	3428	1.76 [44.8]	1.365 [34.67]	1.21 [30.7]	ABC	40
48	3627	1.96 [49.9]	1.565 [39.75]	1.41 [35.8]	ABC	48
52	3429	2.06 [52.4]	1.665 [42.29]	1.51 [38.3]	ABC	52
60	3440	2.26 [57.5]	1.865 [47.37]	1.71 [43.4]	ABC	60
68	3431	2.46 [62.6]	2.065 [52.45]	1.91 [48.5]	ABC	68
80	3432	2.76 [70.2]	2.365 [60.07]	2.21 [56.1]	ABC	80
100	3433	3.26 [82.9]	2.865 [72.77]	2.71 [68.8]	ABC	100
120	3372	3.76 [95.6]	3.365 [85.47]	3.21 [81.5]	ABC	120
128	3764	3.96 [100.7]	3.565 [90.55]	3.41 [86.6]	ABC	128

3M PART NUMBER SUFFIX	CONTACT TAIL	DIM. "E"
-XX02	02	.112 [2.84]
-XX03	03	.155 [3.94]

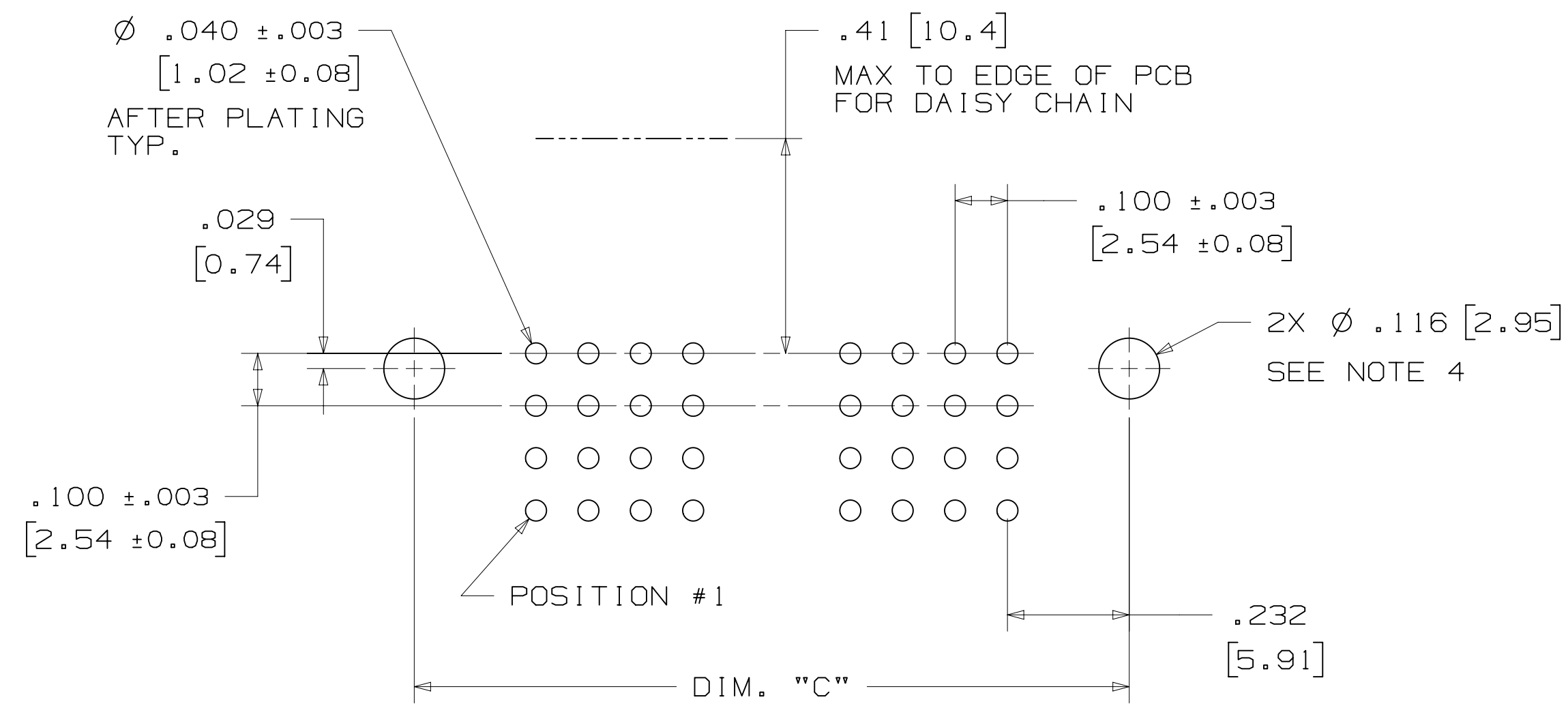
NOTE:  
 .112 [2.84] TAIL LENGTH SUITABLE FOR  
 .062 [1.57] THICK PC BOARD.

DESIGN REFERENCE	NEXT ASSEMBLY	REV	ECO	ISSUE DATE AND DESCRIPTION	DRFT	CHKD
DIVISION	DIVISION CODE	DATE	DATE	DATE	DATE	DATE
Interconnect Solutions	EMSD	AUG 05, 2014	MFG	SEP 05, 2014		
DO NOT SCALE DRAWING	SCALE 4/1	TOLERANCES EXCEPT AS NOTED	© 3M COPYRIGHT 2015 This document and the information it contains are 3M property and may not be reproduced or further distributed without 3M permission, or used or disclosed other than for 3M authorized purposes. All rights reserved.			
THIRD ANGLE PROJECTION	INTERPRET PER ASME Y14.5 - 2009	INCHES .00 ±.01 .000 ±.005 .0000 ±	TITLE <b>HEADER, 4-WALL, CONDO, .100 X .100 LATCH/EJECTOR, RA</b>			
MAX SURFACE ROUGHNESS	SURFACES	MILLIMETERS 0 ± .0 ±.3 .00 ±.13 .000 ±	CAGE NUMBER	SIZE	DRAWING NO.	REV.
MARKED ONLY	ANGLES		D78-5100-0774-9	K		
			MODEL	3000 SERIES	DET	SHT 2 OF 3

K REVISION  
 78-5100-0774-9  
 DRAWING NUMBER  
 K  
 3/6/2015 12:57 PM UTC-06:00  
 Imaged: K.1

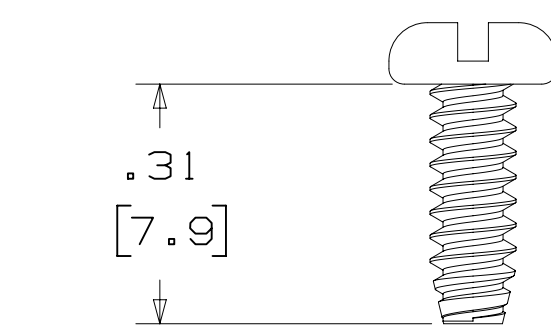
# 3M™ FOUR-WALL CONDO HEADER, 3000 SERIES

.100" X .100" LATCH/EJECTOR, RIGHT ANGLE



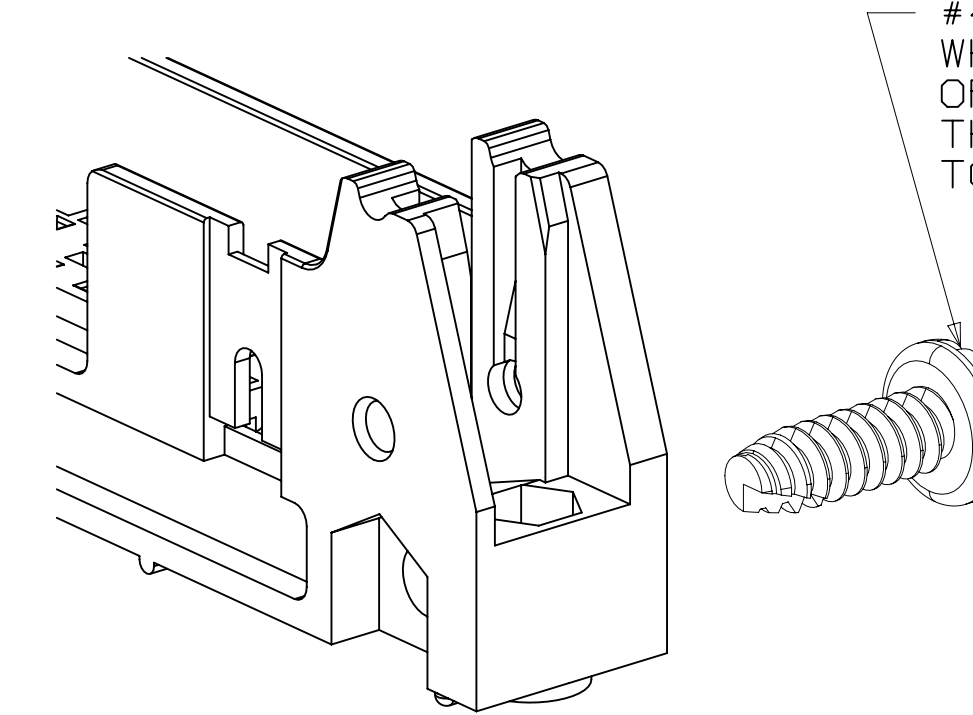
RECOMMENDED MOUNTING HOLE PATTERN

## MOUNTING HARDWARE



3341-5

(INSTALL FROM BOTTOM OF BOARD)  
PANHEAD THREAD CUTTING SCREW:  
#4-24 X 5/16"  
TYPE: USA STD BT, FEDERAL BG  
MATERIAL: STAINLESS STEEL



#4-24 TYPE BT SELF THREADING SCREW  
WHEN USING LATCHES, MAXIMUM LENGTH  
OF SCREW IS .250 INCHES PLUS  
THICKNESS OF THE BOARD.  
TORQUE FOR EACH SCREW IS 3-5 INCH LBS.

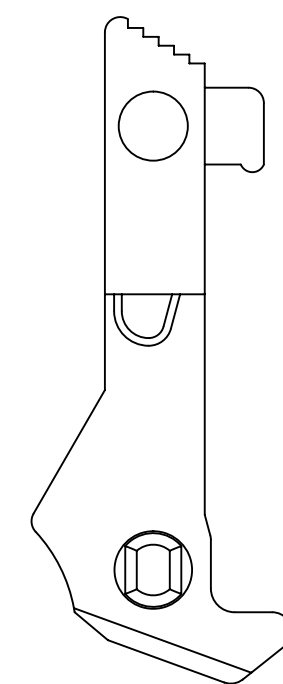
## PART CUSTOMIZATION

THIS SPEC SHEET DETAILS OUR STANDARD OFFERING.

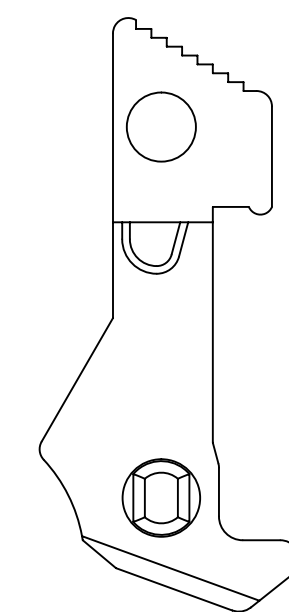
3M HAS SEVERAL CAPABILITIES THAT CAN PROVIDE A PART TAILORED TO YOUR SPECIFIC NEEDS. ASK YOUR 3M SALES REPRESENTATIVE OR CUSTOMER SERVICE FOR MORE DETAILS.

BOTH SNAP-IN AND ROLL PIN LATCHES MAY BE ORDERED SEPARATELY. SNAP-IN AND ROLL PIN STYLE LATCHES ARE DIMENSIONALLY AND FUNCTIONALLY EQUIVALENT. IF ORDERING SNAP-IN OR ROLL PIN STYLE LATCHES SEPARATELY, PLEASE USE THE BELOW CHART.

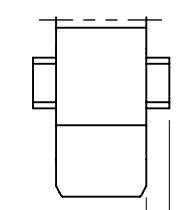
MATERIAL	SHORT LATCH	LONG LATCH	LATCH STYLE	COLOR
HIGH TEMP. (PCT)	N3505-2B	N3505-3B	ROLL PIN	BLACK
HIGH TEMP (PPA)	N3505-30B	N3505-31B	SNAP-IN	BLACK



LONG



SHORT

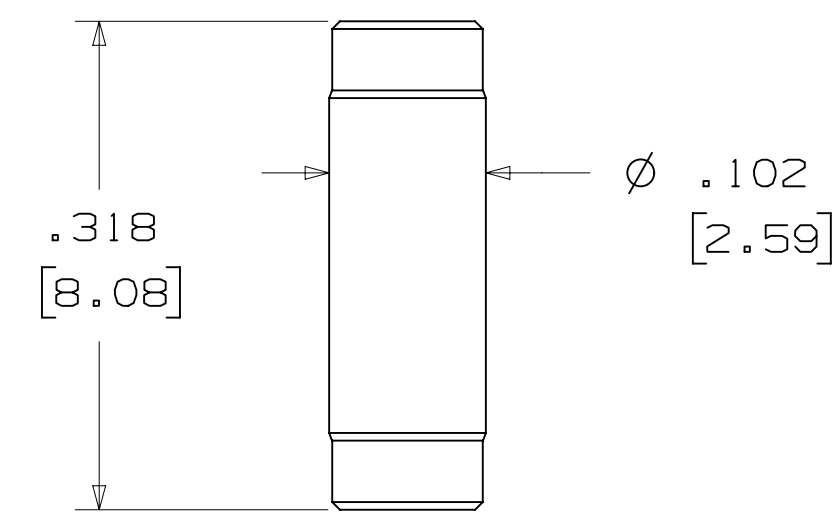


$(.03)$   
 $[(0.8)]$   
TYP.

SNAP-IN LATCHES

NOTE:  
SNAP-IN LATCHES CAN ONLY BE ORDERED SEPARATELY AND ARE THE CUSTOMERS RESPONSIBILITY TO INSTALL.

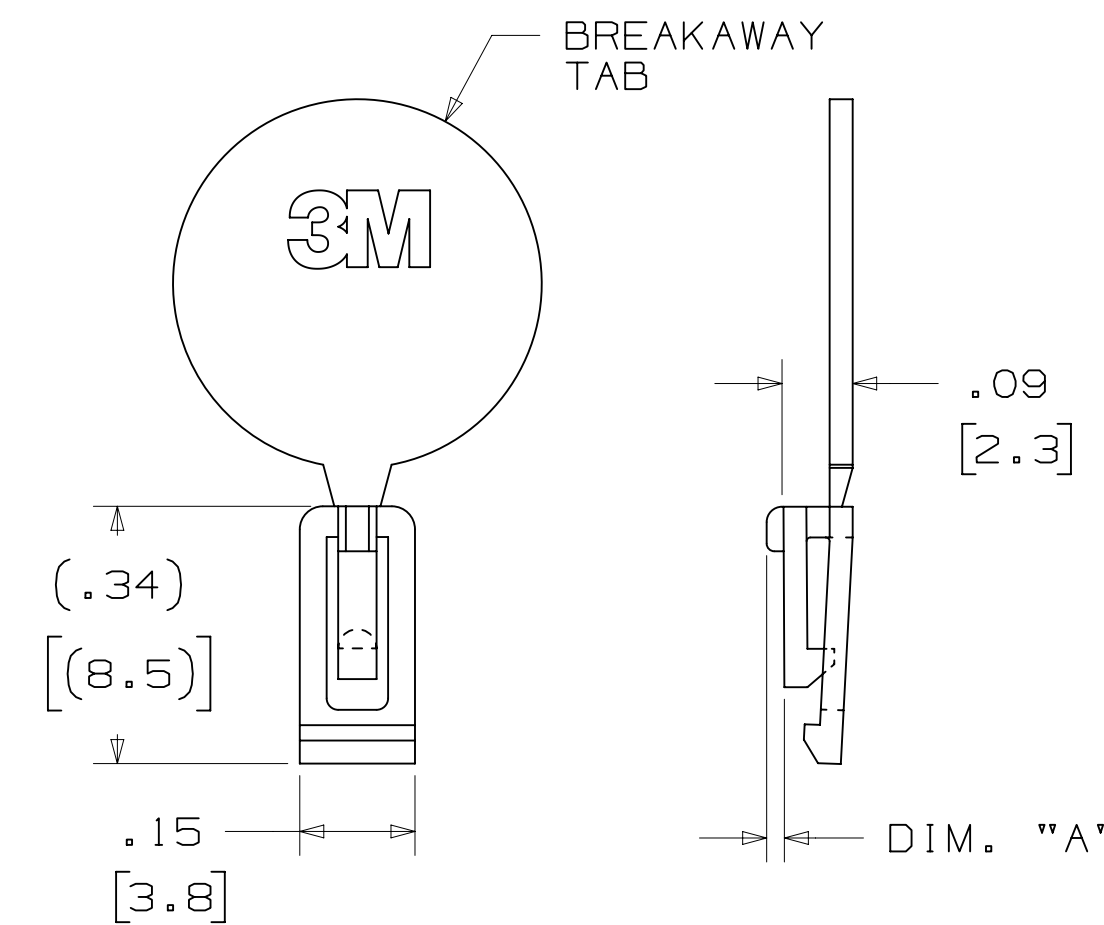
## POLARIZING POST



3M PART NO.	MATERIAL	COLOR
3201-4	LCP	BLACK

NOTE:  
INSERT POST INTO ONE MOUNTING  
HARDWARE HOLE ON BOTTOM OF HEADER.  
SET POST TO PROTRUDE .115 [2.92]

## POLARIZING KEY



3M PART NO.	MATERIAL	COLOR	DIM. "A"
N3518	LCP	BLACK	.02

NOTE:  
#2216 B/A SCOTCHWELD CAN BE USED TO  
ADHERE KEYS.

REV	ECO	ISSUE DATE AND DESCRIPTION	DRFT	CHKD
K	60056	MAR 06, 2015 REVISE ORDERING NUMBER	JNC	RS
J	56068	AUG 05, 2014 REVISED AND REDRAWN	JNC	RS

DESIGN REFERENCE	NEXT ASSEMBLY	REV	ECO	ISSUE DATE AND DESCRIPTION	DRFT	CHKD
				AUG 05, 2014		

DIVISION	SCALE	TOLERANCES EXCEPT AS NOTED	3M	TITLE
Interconnect Solutions	4 1	INCHES .00 ± .01 .000 ± .005 .0000 ±	3M Center St. Paul, MN 55144	HEADER, 4-WALL, CONDO, .100 X .100 LATCH/EJECTOR, RA

INTERPRET PER ASME Y14.5 - 2009	MILLIMETERS	CAGE NUMBER	DRAWING NO.	REV.
	0 ± .0 ± .3 .00 ± .13 .000 ±	D	78-5100-0774-9	K

K REVISION  
78-5100-0774-9  
DRAWING NUMBER  
B  
A  
Imaged: K.1 3/6/2015 12:57 PM UTC-06:00

3M:

[3314-L302](#) [3372-L002](#) [3372-L302](#) [3408-L302](#) [3428-L302](#) [3429-L202](#) [3431-L302](#) [3793-L302](#) [3431-L002](#) [3440-L302](#) [N3429-L302RB](#) [N3432-L202RB](#) [N3432-L302RB](#) [N3433-L302RB](#) [N3793-L202RB](#) [N3440-L002RB](#) [3429-L302](#) [3433-L302](#) [3793-L202](#) [3432-L302](#) [N3314-L202RB](#) [N3314-L302RB](#) [N3372-L202RB](#) [N3372-L302RB](#) [N3408-L202RB](#) [N3408-L302RB](#) [N3428-L002RB](#) [N3428-L202RB](#) [N3428-L302RB](#) [N3429-L202RB](#) [N3431-L202RB](#) [N3431-L302RB](#) [N3433-L202RB](#) [N3440-L202RB](#) [N3440-L302RB](#) [N3627-L202RB](#) [N3627-L302RB](#) [N3764-L202RB](#) [N3764-L302RB](#) [N3793-L302RB](#)