

Local Interconnect Network (LIN) Physical Interface

Local Interconnect Network (LIN) is a serial communication protocol designed to support automotive networks in conjunction with Controller Area Network (CAN). As the lowest level of a hierarchical network, LIN enables cost-effective communication with sensors and actuators when all the features of CAN are not required.

The 33399 is a Physical Layer component dedicated to automotive sub-bus applications. It offers speed communication from 1.0 kbps to 20 kbps, and up to 60 kbps for Programming Mode. It has two operating modes: Normal and Sleep.

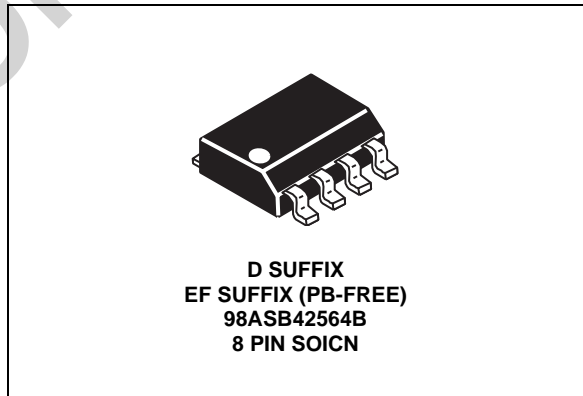
The 33399 supports LIN Protocol Specification 1.3.

Features

- Nominal Operation from V_{SUP} 7.0 V to 18 V DC, Functional up to 27 V DC Battery Voltage and Capable of Handling 40 V During Load Dump
- Active Bus Waveshaping to Minimize Radiated Emission
- ± 5.0 kV ESD on LIN Bus Pin, ± 4.0 kV ESD on Other Pins
- 30 k Ω Internal Pullup Resistor
- Ground Shift Operation and Ground Disconnection Fail-Safe at Module Level
- An Unpowered Node Does Not Disturb the Network
- 20 μ A in Sleep Mode
- Wake-Up Capability from LIN Bus, MCU Command and Dedicated High Voltage Wake-Up Input (Interface to External Switch)
- Interface to MCU with CMOS-Compatible I/O Pins
- Control of External Voltage Regulator
- Pb-FREE packaging designated by package code EF

33399

LIN PHYSICAL INTERFACE



ORDERING INFORMATION		
Device	Temperature Range (T _A)	Package
MC33399D/R2	-40°C to 125°C	8 SOICN
MCZ33399EF/R2		

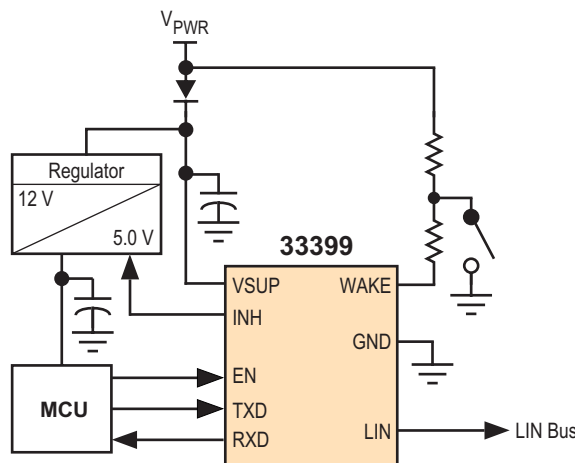


Figure 1. 33399 Simplified Application Diagram

* This document contains certain information on a new product. Specifications and information herein are subject to change without notice.

INTERNAL BLOCK DIAGRAM

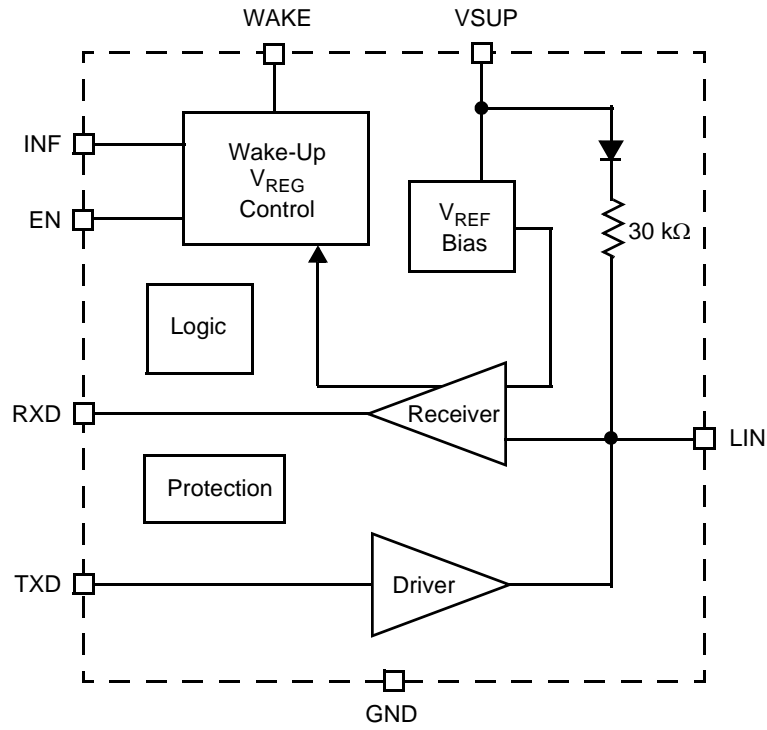


Figure 2. 33399 Simplified Internal Block Diagram

PIN CONNECTIONS

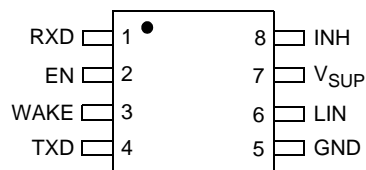


Figure 3. 33399 8-SOICN Pin Connections

Table 1. 8-SOICN Pin Definitions

A functional description of each pin can be found in the [Functional Pin Description](#) section beginning on [page 10](#).

Pin	Pin Name	Formal Name	Definition
1	RXD	Data Output	MCU interface that reports the state of the LIN bus voltage.
2	EN	Enable Control	Controls the operation mode of the interface.
3	WAKE	Wake Input	High voltage input used to wake up the device from the Sleep mode.
4	TXD	Data Input	MCU interface that controls the state of the LIN output.
5	GND	Ground	Device ground pin.
6	LIN	LIN Bus	Bidirectional pin that represents the single-wire bus transmitter and receiver.
7	VSUP	Power Supply	Device power supply pin.
8	INH	Inhibit Output	Controls an external switchable voltage regulator having an inhibit input.

ELECTRICAL CHARACTERISTICS

MAXIMUM RATINGS

Table 2. Maximum Ratings

All voltages are with respect to ground unless otherwise noted. Exceeding these ratings may cause a malfunction or permanent damage to the device.

Rating	Symbol	Value	Unit
ELECTRICAL RATINGS			
Power Supply Voltage Continuous Supply Voltage Transient Voltage (Load Dump)	V_{SUP}	27 40	V
WAKE DC and Transient Voltage (Through a 33 k Ω Serial Resistor)	V_{WAKE}	-18 to 40	V
Logic Voltage (RXD, TXD, EN Pins)	V_{LOG}	-0.3 to 5.5	V
LIN Pin DC Voltage Transient (Coupled Through 1.0 nF Capacitor)	V_{BUS}	-18 to 40 -150 to 100	V
INH Voltage/Current DC Voltage	V_{INH}	-0.3 to $V_{SUP} + 0.3$	V
ESD Voltage, Human Body Model ⁽¹⁾ All Pins LIN Bus Pin with Respect to Ground	V_{ESD1}	± 4000 ± 5000	V
ESD Voltage, Machine Model All Pins	V_{ESD2}	± 200	V
THERMAL RATINGS			
Operating Temperature Ambient Junction	T_A T_J	-40 to 125 -40 to 150	$^{\circ}\text{C}$
Storage Temperature	T_{STG}	-55 to 165	$^{\circ}\text{C}$
Thermal Resistance, Junction to Ambient	$R_{\theta JA}$	150	$^{\circ}\text{C}/\text{W}$
Peak Package Reflow Temperature During Reflow ^{(2), (3)}	T_{PPRT}	Note 3.	$^{\circ}\text{C}$
Thermal Shutdown	T_{SHUT}	150 to 200	$^{\circ}\text{C}$
Thermal Shutdown Hysteresis	T_{HYST}	8.0 to 20	$^{\circ}\text{C}$

Notes

- ESD1 testing is performed in accordance with the Human Body Model ($C_{ZAP} = 100 \text{ pF}$, $R_{ZAP} = 1500 \Omega$), ESD2 testing is performed in accordance with the Machine Model ($C_{ZAP} = 220 \text{ pF}$, $R_{ZAP} = 0 \Omega$).
- Pin soldering temperature limit is for 10 seconds maximum duration. Not designed for immersion soldering. Exceeding these limits may cause malfunction or permanent damage to the device.
- Freescale's Package Reflow capability meets Pb-free requirements for JEDEC standard J-STD-020C. For Peak Package Reflow Temperature and Moisture Sensitivity Levels (MSL), Go to www.freescale.com, search by part number [e.g. remove prefixes/suffixes and enter the core ID to view all orderable parts. (i.e. MC33xxxD enter 33xxx)], and review parametrics.

STATIC ELECTRICAL CHARACTERISTICS

Table 3. Static Electrical Characteristics

Characteristics noted under conditions $7.0\text{ V} \leq V_{\text{SUP}} \leq 18\text{ V}$, $-40^\circ\text{C} \leq T_A \leq 125^\circ\text{C}$, $\text{GND} = 0\text{ V}$ unless otherwise noted. Typical values noted reflect the approximate parameter means at $T_A = 25^\circ\text{C}$ under nominal conditions unless otherwise noted.

Characteristic	Symbol	Min	Typ	Max	Unit
VSUP PIN (DEVICE POWER SUPPLY)					
Supply Voltage Range	V_{SUP}	7.0	13.5	18	V
Supply Current in Sleep Mode $V_{\text{LIN}} > V_{\text{SUP}} - 0.5\text{ V}$, $V_{\text{SUP}} < 14\text{ V}$ $14\text{ V} < V_{\text{SUP}} < 18\text{ V}$	I_{S1} I_{S2}	— —	20 —	50 150	μA
Supply Current in Normal Mode Recessive State Dominant State, Total Bus Load $> 500\ \Omega$	$I_{\text{S(REC)}}$ $I_{\text{S(DOM)}}$	— —	— —	2.0 3.0	mA
Supply Undervoltage Threshold	$V_{\text{SUP_UV}}$	5.5	6.4	6.8	V
RXD OUTPUT PIN (LOGIC)					
Low-Level Output Voltage $I_{\text{IN}} \leq 1.5\text{ mA}$	V_{OL}	0.0	—	0.9	V
High-Level Output Voltage $I_{\text{OUT}} \leq 250\ \mu\text{A}$	V_{OH}	3.75	—	5.25	V
TXD INPUT PIN (LOGIC)					
Low-Level Input Voltage	V_{IL}	—	—	1.5	V
High-Level Input Voltage	V_{IH}	3.5	—	—	V
Input Voltage Threshold Hysteresis	V_{INHYST}	100	550	800	mV
Pullup Current Source $1.0\text{ V} < V_{\text{TXD}} < 4.0\text{ V}$, $V_{\text{EN}} = 5.0\text{ V}$	I_{PU}	-50	—	-25	μA
EN INPUT PIN (LOGIC)					
Low-Level Input Voltage	V_{IL}	—	—	1.5	V
High-Level Input Voltage	V_{IH}	3.5	—	—	V
Input Voltage Threshold Hysteresis	V_{INHYST}	100	480	800	mV
EN Low-Level Input Current $V_{\text{IN}} = 1.0\text{ V}$	I_{IL}	5.0	20	30	μA
High-Level Input Current $V_{\text{IN}} = 4.0\text{ V}$	I_{IH}	—	20	40	μA
Pulldown Current $1.0\text{ V} < \text{EN} < 4.0\text{ V}$	I_{PD}	—	20	—	μA

Table 3. Static Electrical Characteristics (continued)

Characteristics noted under conditions $7.0\text{ V} \leq V_{\text{SUP}} \leq 18\text{ V}$, $-40^\circ\text{C} \leq T_A \leq 125^\circ\text{C}$, $\text{GND} = 0\text{ V}$ unless otherwise noted. Typical values noted reflect the approximate parameter means at $T_A = 25^\circ\text{C}$ under nominal conditions unless otherwise noted.

Characteristic	Symbol	Min	Typ	Max	Unit
LIN PIN (VOLTAGE EXPRESSED VERSUS VSUP VOLTAGE)					
Low-Level Bus Voltage (Dominant State) TXD LOW, $V_{\text{LIN}} = 40\text{ mA}$	V_{DOM}	0.0	—	1.4	V
High-Level Voltage (Recessive State) TXD HIGH, $I_{\text{OUT}} = 1.0\text{ }\mu\text{A}$	V_{REC}	$0.85 V_{\text{SUP}}$	—	—	V
Internal Pullup Resistor to VSUP ⁽⁴⁾ $-40^\circ\text{C} \leq T_A \leq 70^\circ\text{C}$ $70^\circ\text{C} < T_A \leq 125^\circ\text{C}$	R_{PU}	20 35	30 49	47 60	k Ω
Current Limitation TXD LOW, $V_{\text{LIN}} = V_{\text{SUP}}$	I_{LIM}	50	150	200	mA
Leakage Current to GND Recessive State, $V_{\text{SUP}} - 0.3\text{ V} \leq V_{\text{LIN}} \leq V_{\text{SUP}}$ ⁽⁴⁾ V_{SUP} Disconnected, $-18\text{ V} \leq V_{\text{LIN}} \leq 18\text{ V}$ (Excluding Internal Pullup Source) V_{SUP} Disconnected, $V_{\text{LIN}} = -18\text{ V}$ (Including Internal Pullup Source) V_{SUP} Disconnected, $V_{\text{LIN}} = +18\text{ V}$ (Including Internal Pullup Source)	I_{LEAK}	0.0 -40 — —	— — -600 15	10 40 — —	μA
LIN Receiver, Low-Level Input Voltage TXD HIGH, RXD LOW	V_{LINL}	$0 V_{\text{SUP}}$	—	$0.4 V_{\text{SUP}}$	V
LIN Receiver, High-Level Input Voltage TXD HIGH, RXD HIGH	V_{LINH}	$0.6 V_{\text{SUP}}$	—	V_{SUP}	V
LIN Receiver Threshold Center $(V_{\text{LINH}} - V_{\text{LINL}})/2$	V_{LINTH}	—	$V_{\text{SUP}}/2$	—	V
LIN Receiver Input Voltage Hysteresis $V_{\text{LINH}} - V_{\text{LINL}}$	V_{LINHYS}	$0.05 V_{\text{SUP}}$	—	$0.15 V_{\text{SUP}}$	V
LIN Wake-Up Threshold Voltage	V_{LINWU}	3.5	4.5	6.0	V
INH OUTPUT PIN					
High-Level Voltage (Normal Mode)	V_{WUH}	$V_{\text{SUP}} - 0.8$	—	V_{SUP}	V
Leakage Current (Sleep Mode) $0 < V_{\text{INH}} < V_{\text{SUP}}$	I_{LEAK}	0	—	5.0	μA
WAKE INPUT PIN					
Typical Wake-Up Threshold ($\text{EN} = 0\text{ V}$, $7.0\text{ V} \leq V_{\text{SUP}} \leq 18\text{ V}$) ⁽⁵⁾ HIGH-to-LOW Transition LOW-to-HIGH Transition	V_{WUTH}	$0.3 V_{\text{SUP}}$ $0.4 V_{\text{SUP}}$	$0.43 V_{\text{SUP}}$ $0.55 V_{\text{SUP}}$	$0.55 V_{\text{SUP}}$ $0.65 V_{\text{SUP}}$	V
Wake-Up Threshold Hysteresis	V_{WUHYS}	$0.1 V_{\text{SUP}}$	$0.16 V_{\text{SUP}}$	$0.2 V_{\text{SUP}}$	V
WAKE Input Current $V_{\text{WAKE}} \leq 14\text{ V}$ $V_{\text{WAKE}} > 14\text{ V}$	I_{WU}	— —	1.0 —	5.0 100	μA

Notes

- A diode structure is inserted with the pullup resistor to avoid parasitic current path from LIN to V_{SUP} .
- When V_{SUP} is greater than 18 V, the wake-up voltage thresholds remain identical to the wake-up thresholds at 18 V.

DYNAMIC ELECTRICAL CHARACTERISTICS

Table 4. Dynamic Electrical Characteristics

Characteristics noted under conditions $7.0\text{ V} \leq V_{\text{SUP}} \leq 18\text{ V}$, $-40^\circ\text{C} \leq T_A \leq 125^\circ\text{C}$, $\text{GND} = 0\text{ V}$ unless otherwise noted. Typical values noted reflect the approximate parameter means at $T_A = 25^\circ\text{C}$ under nominal conditions unless otherwise noted.

Characteristic	Symbol	Min	Typ	Max	Unit
DIGITAL INTERFACE TIMING					
LIN Slew Rate ^{(6), (7)}					V/ μs
Falling Edge	t_{FALL}	0.75	2.0	3.0	
Rising Edge	t_{RISE}	0.75	2.0	3.0	
LIN Rise/Fall Symmetry ($t_{\text{RISE}} - t_{\text{FALL}}$)	t_{SYM}	-2.0	—	2.0	μs
Driver Propagation Delay ^{(8), (9)}					μs
TXD LOW-to-LIN LOW	t_{TXDLINL}	0.0	—	4.0	
TXD HIGH-to-LIN HIGH	t_{TXDLINH}	0.0	—	4.0	
Receiver Propagation Delay ^{(9), (10)}					μs
LIN LOW to RXD LOW	t_{RXDLINL}	2.0	4.0	6.0	
LIN HIGH to RXD HIGH	t_{RXDLINH}	2.0	4.0	6.0	
Receiver Propagation Delay Symmetry	t_{RECSYM}	-2.0	—	2.0	μs
Transmitter Propagation Delay Symmetry	t_{TRSYM}	-2.0	—	2.0	μs
Propagation Delay ⁽¹¹⁾					μs
LIN Bus Wake-Up to INH HIGH	t_{PROPWL}	45	70	130	

Notes

6. Measured between 20 and 80 percent of bus signal for $10\text{ V} < V_{\text{SUP}} < 18\text{ V}$. Between 30 and 70 percent of signal for $7.0\text{ V} < V_{\text{SUP}} < 10\text{ V}$.
7. See [Figure 5](#), page 8.
8. t_{TXDLINL} is measured from TXD (HIGH-to-LOW) and LIN ($V_{\text{REC}} - 0.2\text{ V}$). t_{TXDLINH} is measured from TXD (LOW-to-HIGH) and LIN ($V_{\text{DOM}} + 0.2\text{ V}$).
9. See [Figure 4](#), page 8.
10. Measured between LIN receiver thresholds and RXD pin.
11. See [Figure 6](#), page 8.

TIMING DIAGRAMS

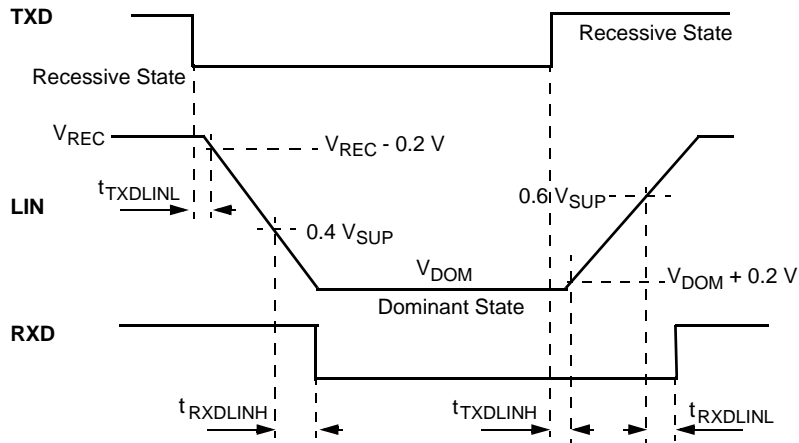


Figure 4. Normal Mode Bus Timing Characteristics

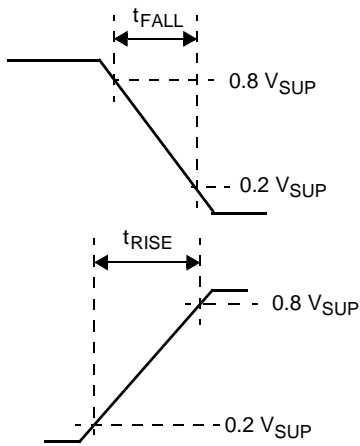


Figure 5. LIN Rise and Fall Time

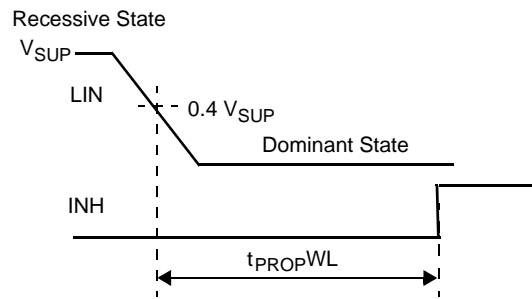


Figure 6. LIN Bus Wake-Up

FUNCTIONAL DIAGRAMS

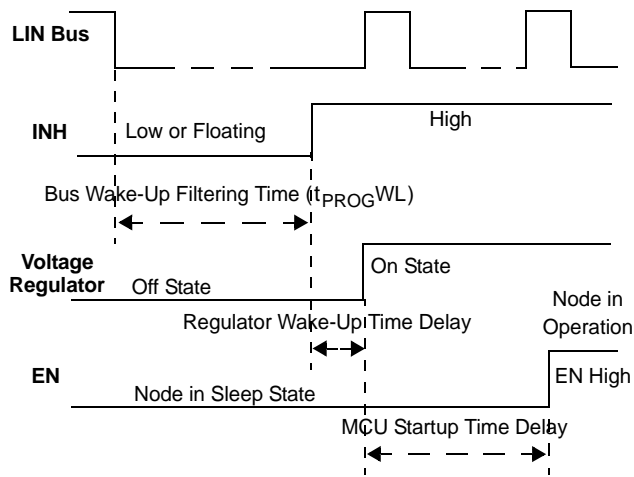


Figure 7. LIN Wake-Up with INH Option

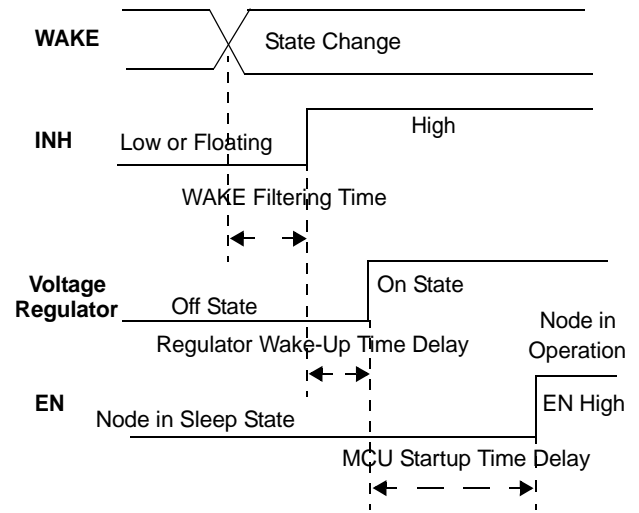


Figure 8. LIN Wake-Up from Wake-Up Switch

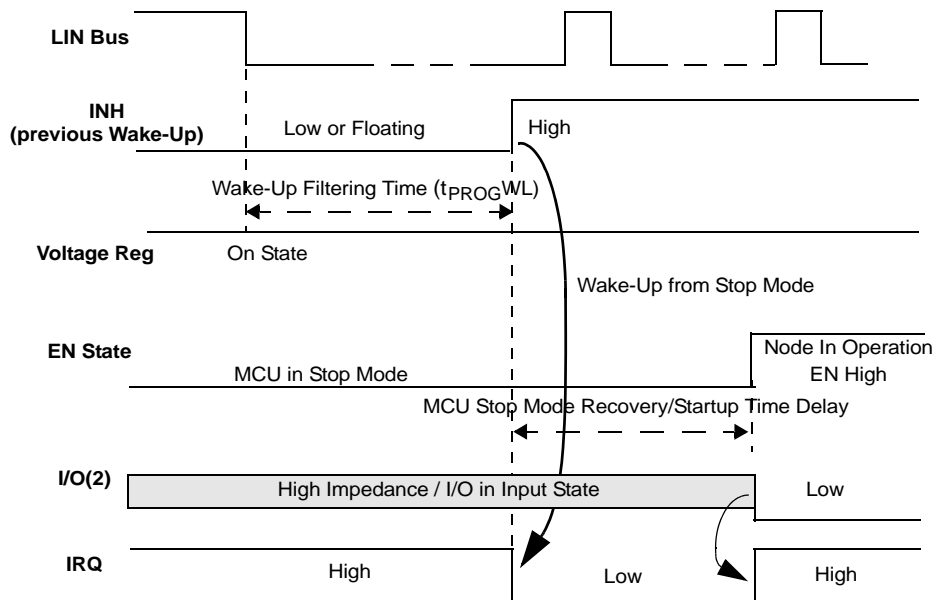


Figure 9. LIN Wake-Up with MCU in Stop Mode

FUNCTIONAL DESCRIPTION

INTRODUCTION

The 33399 is a Physical Layer component dedicated to automotive LIN sub-bus applications.

The 33399 features include speed communication from 1.0 kbps to 20 kbps, up to 60 kbps for Programming Mode, and active bus waveshaping to minimize radiated emission.

The device offers three different wake-up capabilities: wake-up from LIN bus, wake-up from the MCU command, and dedicated high voltage wake-up input.

The INH output may be used to control an external voltage regulator.

FUNCTIONAL PIN DESCRIPTION

POWER SUPPLY PIN (VSUP)

The V_{SUP} power supply pin is connected to a battery through a serial diode for reverse battery protection. The DC operating voltage is from 7.0 V to 27 V. This pin sustains standard automotive voltage conditions such as 27 V DC during jump-start conditions and 40 V during load dump. To avoid a false bus message, an undervoltage reset circuitry disables the transmission path (from TXD to LIN) when V_{SUP} falls below 7.0 V. Supply current in the Sleep mode is typically 20 μ A.

GROUND PIN (GND)

In case of a ground disconnection at the module level, the 33399 does not have significant current consumption on the LIN bus pin when in the recessive state. (Less than 100 μ A is sourced from LIN bus pin, which creates 100 mV drop voltage from the 1.0 k Ω LIN bus pullup resistor.) For the dominant state, the pullup resistor should always be active.

The 33399 handles a ground shift up to 3.0 V when $V_{SUP} > 9.0$ V. Below 9.0 V V_{SUP} , a ground shift can reduce V_{SUP} value below the minimum V_{SUP} operation of 7.0 V.

LIN BUS PIN (LIN)

The LIN bus pin represents the single-wire bus transmitter and receiver.

Transmitter Characteristics

The LIN driver is a low-side MOSFET with internal current limitation and thermal shutdown. An internal pullup resistor with a serial diode structure is integrated so no external pullup components are required for the application in a slave node. An additional pullup resistor of 1.0 k Ω must be added when the device is used in the master node.

Voltage can go from -18 V to 40 V without current other than the pullup resistance. The LIN pin exhibits no reverse current from the LIN bus line to V_{SUP} , even in the event of GND shift or V_{PWR} disconnection. LIN thresholds are compatible with the LIN protocol specification.

The fall time from recessive to dominant and the rise time from dominant to recessive are controlled to typically 2.0 V/ μ s. The symmetry between rise and fall time is also guaranteed.

When going from dominant to recessive, the bus impedance parasitic capacitor must be charged up to V_{SUP} .

This charge-up is achieved by the total system pullup current resistors. In order to guarantee that the rise time is within specification, maximum bus capacitance should not exceed 10 nF with bus total pullup resistance less than 1.0 k Ω .

Receiver Characteristics

The receiver thresholds are ratiometric with the device supply pin. Typical threshold is 50%, with a hysteresis between 5% and 10% of V_{SUP} .

DATA INPUT PIN (TXD)

The TXD input pin is the MCU interface that controls the state of the LIN output. When TXD is LOW, LIN output is LOW; when TXD is HIGH, the LIN output transistor is turned OFF.

This pin has an internal 5.0 V internal pullup current source to set the bus in a recessive state in case the MCU is not able to control it; for instance, during system power-up/power-down. During the Sleep mode, the pullup current source is turned OFF.

DATA OUTPUT PIN (RXD)

The RXD output pin is the MCU interface that reports the state of the LIN bus voltage. LIN HIGH (recessive) is reported by a high level on RXD; LIN LOW (dominant) is reported by a low voltage on RXD. RXD output structure is a CMOS-type push-pull output stage.

ENABLE INPUT PIN (EN)

The EN pin controls the operation mode of the interface. If EN = logic [1], the interface is in normal mode, with the transmission path from TXD to LIN and from LIN to RXD both active. If EN = logic [0], the device is in Sleep mode or low power mode, and no transmission is possible.

In Sleep mode, the LIN bus pin is held at V_{SUP} through the bus pullup resistors and pullup current sources. The device can transmit only after being awakened. Refer to the [INHIBIT OUTPUT PIN \(INH\)](#) description on page 11.

During Sleep mode, the device is still supplied from the battery voltage (through V_{SUP} pin). Supply current is 20 μ A typical. Setting the EN pin to LOW will turn the INH to high impedance. The EN pin has an internal 20 μ A pulldown current source to ensure the device is in Sleep mode if EN floats.

INHIBIT OUTPUT PIN (INH)

The INH pin controls an external switchable voltage regulator having an inhibit input. This pin is a high-side switch structure to V_{SUP} . When the device is in the Normal mode, the inhibit high-side switch is turned ON and the external voltage regulator is activated. When the device is in Sleep mode, the inhibit switch is turned OFF and disables the voltage regulator (if this feature is used).

A wake-up event on the LIN bus line will switch the INH pin to V_{SUP} level. Wake-up output current capability is limited to 280 μ A. INH can also drive an external MOSFET connected to an MCU IRQ or XIRQ input to generate an interrupt. See the typical application illustrated in [Figure 13](#), page [15](#).

WAKE INPUT PIN (WAKE)

The WAKE pin is a high-voltage input used to wake up the device from Sleep mode. WAKE is usually connected to an external switch in the application. The typical WAKE thresholds are $V_{SUP}/2$.

The WAKE pin has a special design structure and allows wake-up from both HIGH-to-LOW or LOW-to-HIGH transitions. When entering the Sleep mode, the LIN monitors the state of the WAKE pin and stores it as a reference state. The opposite state of this reference state will be the wake-up event used by the device to re-enter Normal mode.

An internal filter is implemented (50 μ s typical filtering time delay). The WAKE pin input structure exhibits a high impedance with extremely low input current when voltage at this pin is below 14 V. When voltage at the WAKE pin exceeds 14 V, input current starts to sink into the device. A series resistor should be inserted in order to limit the input current, mainly during transient pulses. Recommended resistor value is 33 k Ω .

Important The WAKE pin should *not* be left open. If the wake-up function is not used, WAKE should be connected to GND to avoid false wake-up.

FUNCTIONAL DEVICE OPERATION

OPERATIONAL MODES

As described below and depicted in [Figure 10](#) and [Table 5](#) on page 13, the 33399 has two operational modes, normal and sleep, and one transitional mode, Awake.

NORMAL MODE

This is the normal transmitting and receiving mode. All features are available.

SLEEP MODE

In this mode the transmission path is disabled and the device is in low power mode. Supply current from V_{SUP} is 20 μ A typical. Wake-up can occur from LIN bus activity, as well as from node internal wake-up through the EN pin and the WAKE input pin.

DEVICE POWER-UP (AWAKE TRANSITIONAL MODE)

At system power-up (V_{SUP} rises from zero), the 33399 automatically switches into the "Awake" mode (refer to [Figure 10](#) below and [Table 5](#) on page 13). It switches the INH pin in HIGH state to V_{SUP} level. The microcontroller of the application then confirms the Normal mode by setting the EN pin HIGH.

DEVICE WAKE-UP EVENTS

The device can be awakened from Sleep mode by three wake-up events:

- LIN bus activity
- Internal node wake-up (EN pin)
- Wake-up from WAKE pin

Figures 7, 8, and 9 on page 9 show device application circuit and detail of wake-up operations.

Wake-Up from LIN Bus (Awake Transitional Mode)

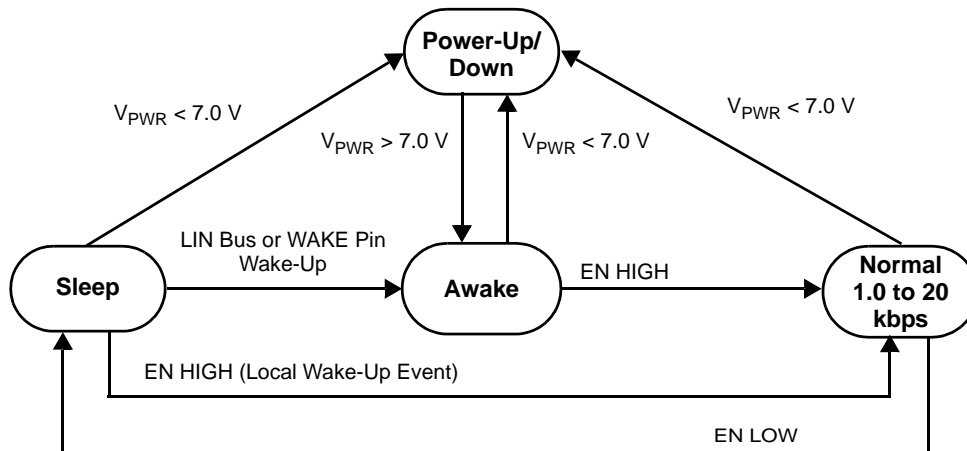
A wake-up from the LIN pin switching from recessive to dominant state (switch from V_{SUP} to GND) can occur. This is achieved by a node sending a wake-up frame on the bus. This condition internally wakes up the interface, which switches the INH pin to a HIGH level to enable the voltage regulator. The device switches into the Awake mode. The microcontroller and the complete application power up. The microcontroller must switch the EN pin to a HIGH level to allow the device to leave the Awake mode and turn it into Normal mode in order to allow communication on the bus.

Wake-Up from Internal Node Activity (Normal Mode)

The application can internally wake up. In this case the microcontroller of the application sets the EN pin in the HIGH state. The device switches into Normal mode.

Wake-Up from WAKE Pin (Awake Transitional Mode)

The application can wake up with the activation of an external switch. Refer to [Table 1, 8-SOICN Pin Definitions](#) on page 3.



Note Refer to Table 5 for explanation.

Figure 10. Operational and Transitional Modes State Diagram

Table 5. Explanation of Operational and Transitional Modes State Diagram

Operational/ Transitional	LIN	INH	EN	TXD	RXD
Sleep Mode	Recessive state, driver off. 20 μ A pullup current source.	LOW	LOW	X	High impedance.
Awake	Recessive state, driver off.	HIGH	LOW	X	LOW.
Normal Mode	Driver active. 30 k Ω pullup active.	HIGH	HIGH	LOW to drive LIN bus in dominant. HIGH to drive LIN bus in recessive.	Report LIN bus level: <ul style="list-style-type: none"> • LOW LIN bus dominant • HIGH LIN bus recessive

X = Don't care.

PROTECTION AND DIAGNOSIS FEATURES

ELECTROSTATIC DISCHARGE (ESD)

The 33399 has two Human Body Model ESD values. All pins can handle ± 4.0 kV. The LIN bus pin, with respect to ground, can handle ± 5.0 kV.

ELECTROMAGNETIC COMPATIBILITY

RADIATED EMISSION ON LIN BUS OUTPUT LINE

Radiated emission level on the LIN bus output line is internally limited and reduced by active slew rate control of the output bus driver. [Figure 11](#) shows the results in the frequency range 100 kHz to 2.0 MHz.

On the WAKE input pin, an internal filter is implemented to reduce false wake-up during external disturbance.

NOISE FILTERING

Noise filtering is used to protect the electronic module against illegal wake-up spikes on the bus. Integrated receiver filters suppress any high-frequency (HF) noise induced into the bus wires. The cut-off frequency of these filters is a compromise between propagation delay and HF suppression.

ELECTROMAGNETIC IMMUNITY (EMI)

On the LIN bus pin, the 33399 offers high EMI level from external disturbance occurring at the LIN bus pin in order to guarantee communication during external disturbance.

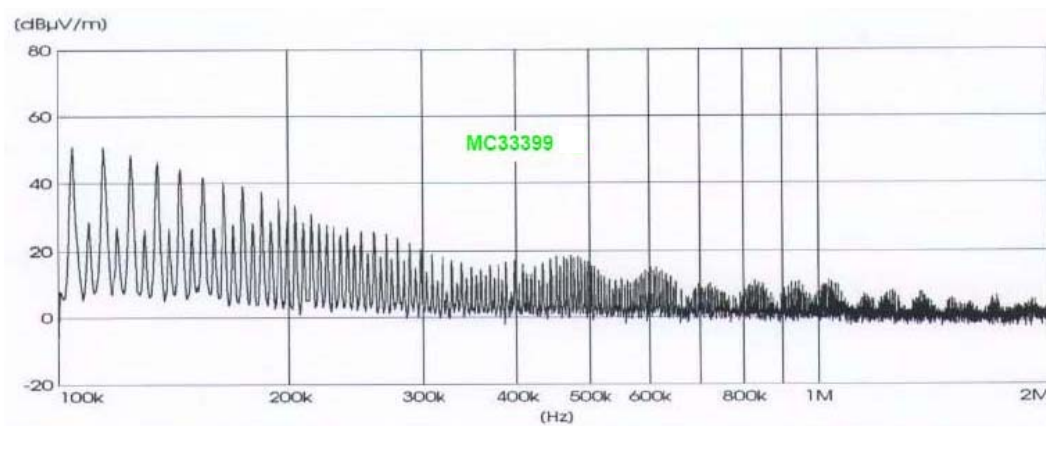


Figure 11. Radiated Emission in Normal Mode

TYPICAL APPLICATIONS

The 33399 can be configured in several applications. [Figures 12](#) and [13](#) show slave and master node applications. An additional pullup resistor of 1.0 kΩ in series with a diode must be added when the device is used in the master node.

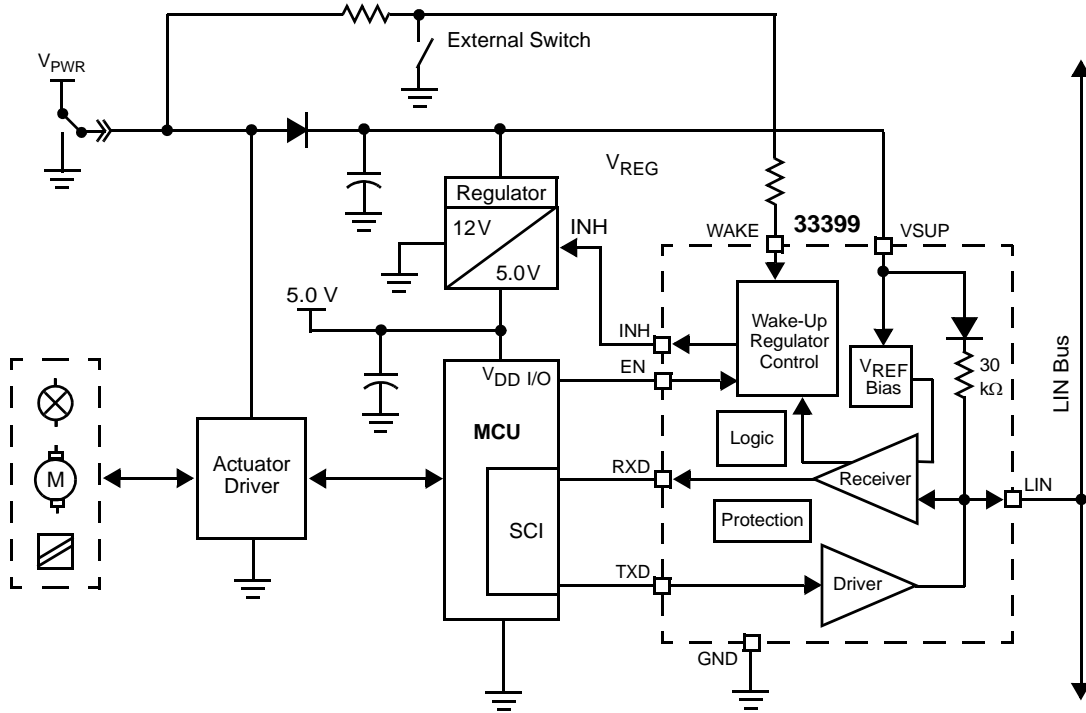


Figure 12. Slave Node Typical Application with WAKE Input Switch and INH (Switchable 5.0 V Regulator)

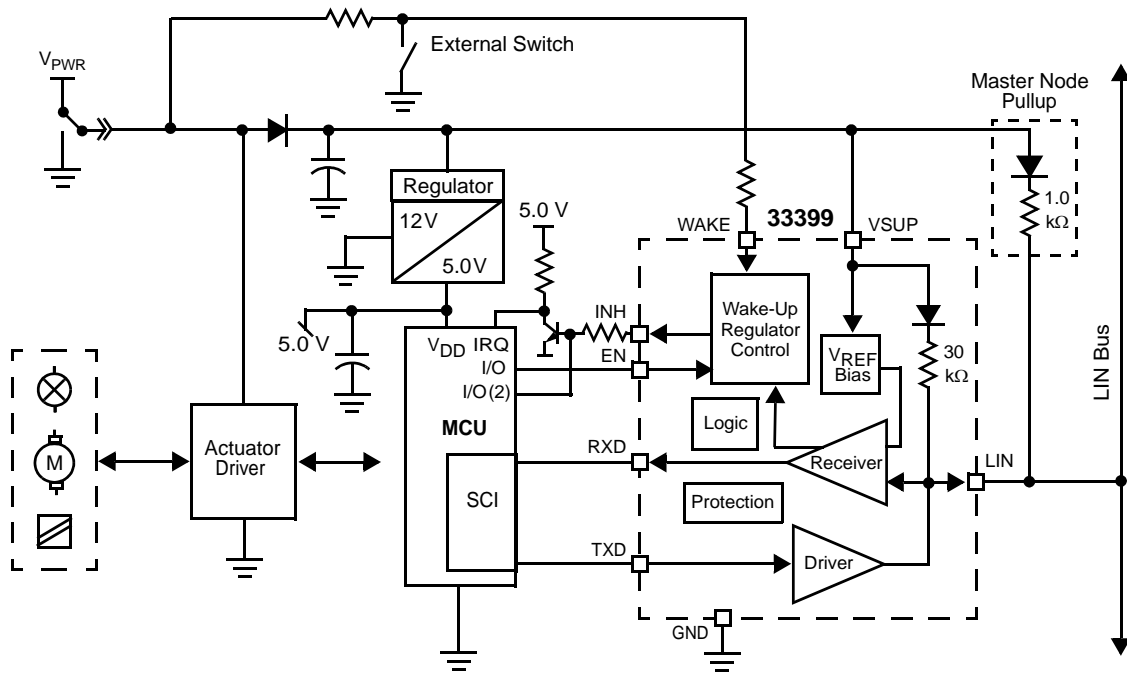


Figure 13. Master Node Typical Device Application with MCU Wake-Up from Stop Mode (Non-Switchable 5.0 V Regulator, MCU Stop Mode)

REFERENCE DOCUMENTS

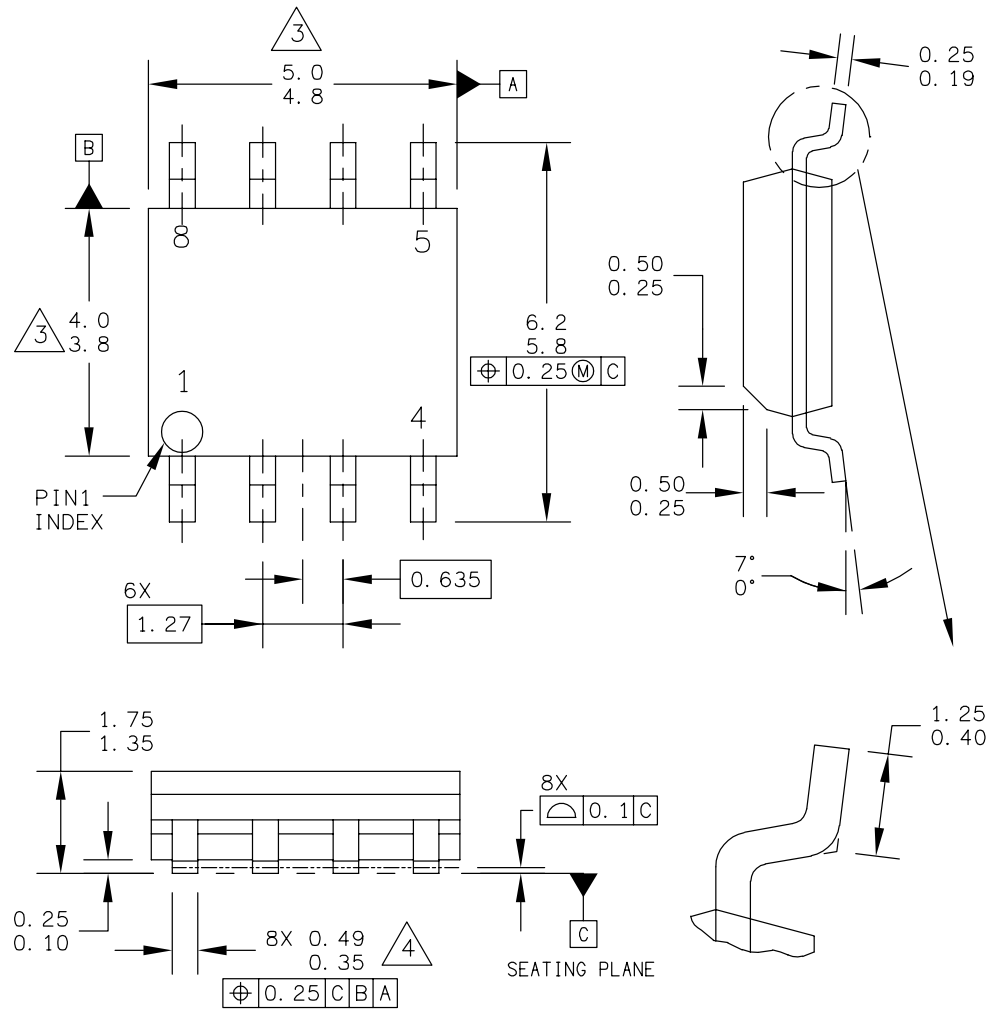
Table 6. Reference Documents

Title	Literature Order Number
Local Interconnect Network (LIN) Physical Interface: Difference Between MC33399 and MC33661	EB215

PACKAGING

PACKAGE DIMENSIONS

Important For the most current revision of the package, visit www.freescale.com and do a keyword search on the 98A drawing number below.



© FREESCALE SEMICONDUCTOR, INC. ALL RIGHTS RESERVED.	MECHANICAL OUTLINE	PRINT VERSION NOT TO SCALE
TITLE: 8LD SOIC NARROW BODY	DOCUMENT NO: 98ASB42564B	REV: U
	CASE NUMBER: 751-07	07 APR 2005
	STANDARD: JEDEC MS-012AA	

D SUFFIX
EF SUFFIX (Pb-FREE)
8-PIN SOIC NARROW BODY
PLASTIC PACKAGE
98ASB42564B
ISSUE U

REVISION HISTORY

REVISION	DATE	DESCRIPTION OF CHANGES
7.0	7/2006	<ul style="list-style-type: none">• Implemented Revision History page• Added Pb-Free suffix code EF• Added EPP ordering part number MCZ33399EF/R2• Adjusted to the Freescale prevailing form and style
8.0	10/2006	<ul style="list-style-type: none">• Removed Peak Package Reflow Temperature During Reflow (solder reflow) parameter from MAXIMUM RATINGS on page 4. Added note with instructions to obtain this information from www.freescale.com.

How to Reach Us:

Home Page:

www.freescale.com

Web Support:

<http://www.freescale.com/support>

USA/Europe or Locations Not Listed:

Freescale Semiconductor, Inc.
Technical Information Center, EL516
2100 East Elliot Road
Tempe, Arizona 85284
+1-800-521-6274 or +1-480-768-2130
www.freescale.com/support

Europe, Middle East, and Africa:

Freescale Halbleiter Deutschland GmbH
Technical Information Center
Schatzbogen 7
81829 Muenchen, Germany
+44 1296 380 456 (English)
+46 8 52200080 (English)
+49 89 92103 559 (German)
+33 1 69 35 48 48 (French)
www.freescale.com/support

Japan:

Freescale Semiconductor Japan Ltd.
Headquarters
ARCO Tower 15F
1-8-1, Shimo-Meguro, Meguro-ku,
Tokyo 153-0064
Japan
0120 191014 or +81 3 5437 9125
support.japan@freescale.com

Asia/Pacific:

Freescale Semiconductor Hong Kong Ltd.
Technical Information Center
2 Dai King Street
Tai Po Industrial Estate
Tai Po, N.T., Hong Kong
+800 2666 8080
support.asia@freescale.com

For Literature Requests Only:

Freescale Semiconductor Literature Distribution Center
P.O. Box 5405
Denver, Colorado 80217
1-800-441-2447 or 303-675-2140
Fax: 303-675-2150
LDCForFreescaleSemiconductor@hibbertgroup.com

RoHS-compliant and/or Pb-free versions of Freescale products have the functionality and electrical characteristics of their non-RoHS-compliant and/or non-Pb-free counterparts. For further information, see <http://www.freescale.com> or contact your Freescale sales representative.

For information on Freescale's Environmental Products program, go to <http://www.freescale.com/epp>.

Information in this document is provided solely to enable system and software implementers to use Freescale Semiconductor products. There are no express or implied copyright licenses granted hereunder to design or fabricate any integrated circuits or integrated circuits based on the information in this document.

Freescale Semiconductor reserves the right to make changes without further notice to any products herein. Freescale Semiconductor makes no warranty, representation or guarantee regarding the suitability of its products for any particular purpose, nor does Freescale Semiconductor assume any liability arising out of the application or use of any product or circuit, and specifically disclaims any and all liability, including without limitation consequential or incidental damages. "Typical" parameters that may be provided in Freescale Semiconductor data sheets and/or specifications can and do vary in different applications and actual performance may vary over time. All operating parameters, including "Typicals", must be validated for each customer application by customer's technical experts. Freescale Semiconductor does not convey any license under its patent rights nor the rights of others. Freescale Semiconductor products are not designed, intended, or authorized for use as components in systems intended for surgical implant into the body, or other applications intended to support or sustain life, or for any other application in which the failure of the Freescale Semiconductor product could create a situation where personal injury or death may occur. Should Buyer purchase or use Freescale Semiconductor products for any such unintended or unauthorized application, Buyer shall indemnify and hold Freescale Semiconductor and its officers, employees, subsidiaries, affiliates, and distributors harmless against all claims, costs, damages, and expenses, and reasonable attorney fees arising out of, directly or indirectly, any claim of personal injury or death associated with such unintended or unauthorized use, even if such claim alleges that Freescale Semiconductor was negligent regarding the design or manufacture of the part.

Freescale™ and the Freescale logo are trademarks of Freescale Semiconductor, Inc. All other product or service names are the property of their respective owners.

© Freescale Semiconductor, Inc., 2006. All rights reserved.