

# D Sub Connectors

Metal EMI Junction Shell

3357-92XX Series



- Provides EMI/ESD protection similar to aluminium die cast
- Easy assembly reduces time and labor to ensure low applied cost
- Optional thumbscrew kit
- Provides option in grounding for discrete wire applications
- Light weight, compact design

15

Date Modified: February 19, 1999

TS-0036-11  
Sheet 1 of 2

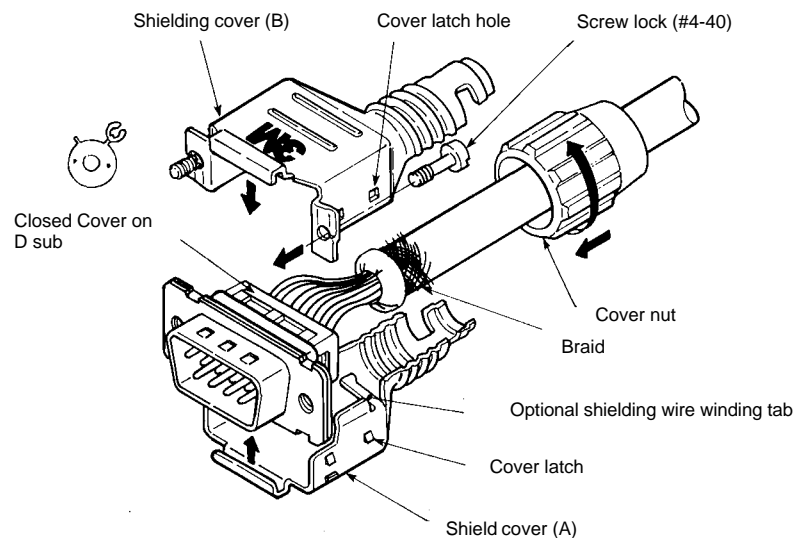
## Physical

### Shell and Hardware

Material: Steel  
Plating: Nickel

### Cover Nut

Material: Glass Filled Polyester (PBT)  
Flammability: UL 94V-0  
Color: Black



## 3M Interconnect Solutions Division

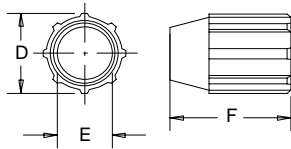
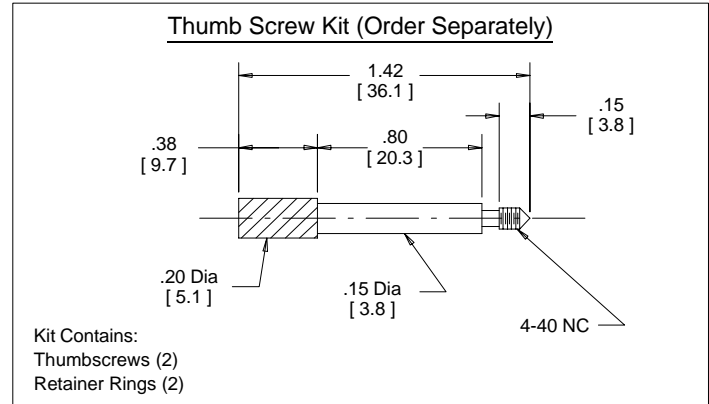
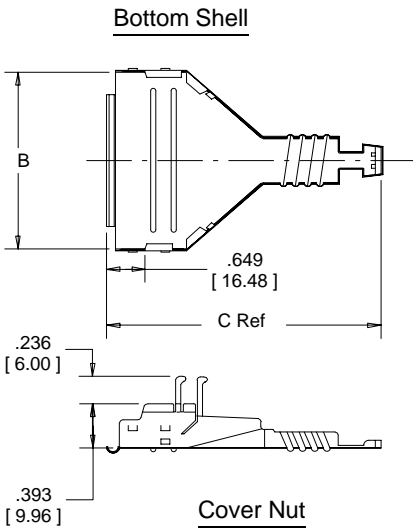
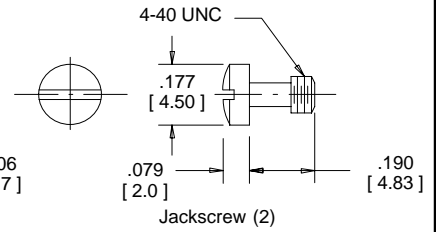
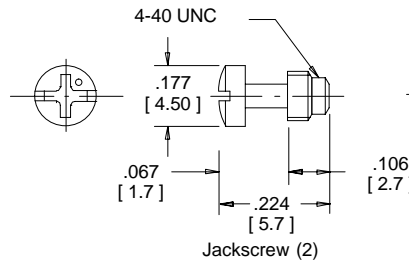
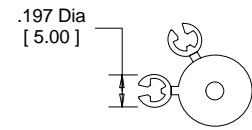
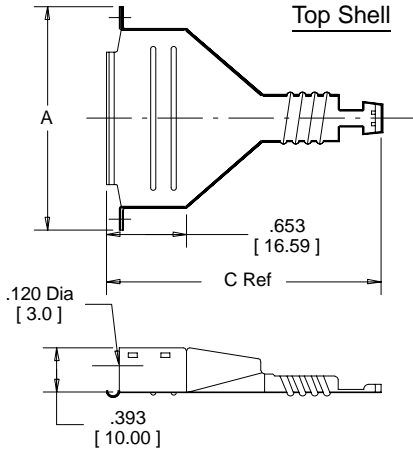
6801 River Place Blvd.  
Austin, TX 78726-9000

For technical, sales or ordering information call  
**800-225-5373**

# D Sub Connector Metal EMI Junction Shell

3357-92XX Series

Connector Size	Dimensions					
	A	B	C Ref	D	E [ ± .03 ]	F
09	1.18 [ 30.0 ]	0.76 [ 19.3 ]	1.65 [ 41.9 ]	0.53 [ 13.5 ]	0.28 [ 7.1 ]	0.75 [ 19.1 ]
15	1.50 [ 38.1 ]	1.08 [ 27.4 ]	1.95 [ 49.5 ]	0.53 [ 13.5 ]	0.37 [ 9.4 ]	0.75 [ 19.1 ]
25	2.05 [ 52.1 ]	1.63 [ 41.4 ]	2.24 [ 56.9 ]	0.65 [ 16.5 ]	0.43 [ 10.9 ]	0.98 [ 24.9 ]
37	2.68 [ 68.1 ]	2.28 [ 57.9 ]	2.76 [ 70.1 ]	0.74 [ 18.8 ]	0.50 [ 12.7 ]	1.10 [ 27.9 ]



**Inch  
[mm]**

Tolerance Unless Noted			
	.0	.00	.000
Inch	± .1	± .01	± .005

[ ] Dimensions for Reference only

## Ordering Information

**Junction Shell  
3357-92XX**

**Thumb Screw Kit  
3341-7**

**Retainer Ring  
3808-ER**

Connector Size  
09 = 9 Position  
15 = 15 Position  
25 = 25 Position  
37 = 37 Position

TS-0036-11  
Sheet 2 of 2

## 3M Interconnect Solutions Division

6801 River Place Blvd.  
Austin, TX 78726-9000

For technical, sales or ordering information call  
**800-225-5373**