



# Introducing Raychem Custom Shipboard Cables

## KEY FEATURES

Water-blocked cables are available using tapes and yarns vs. silicone, which improves size and flexibility

Low smoke, zero halogen jackets compliant with current MIL Spec applications

Small order quantities available on most designs

Lightweight state-of-the-art cable insulation technology

Tyco Electronics design specialists can work directly with customers

RoHS compliant materials



## DESCRIPTION

Tyco Electronics offers a full range of customized shipboard cables that can save users time, money and weight by packaging multiple cables into a single zero-halogen jacket per MIL-DTL-24640 specification.

## APPLICATIONS

Cables can be used for a variety of applications including control, lighting, signal and power

Consolidation of individual cables for various applications including weapons systems

Data and power cables can be combined in the same bundle to decrease weight and size on cable runs

## STANDARDS & SPECS

Qualified source for MIL-DTL-24640/1 through /18 marine cables

Qualified source for AS81044/5 through /13 hook-up wire

Raychem Specification 345

## PRODUCT OFFERING

Full range of custom cables

Prototype samples available upon request

## MATERIALS

Low smoke cable jackets

Innovative tapes and yarns for water-blocked cables

Wide range of component choices (including multiple MIL Spec components)

Wide variety of cable jackets to meet most rigorous applications including:

- Flexibility
- Fluid resistance
- NBC (Nuclear, Biological and Chemical) resistance
- Zero halogen
- FAR Part 25 compliant

## ELECTRICAL

Controlled-electrical, signal and power cable available in a single bundle

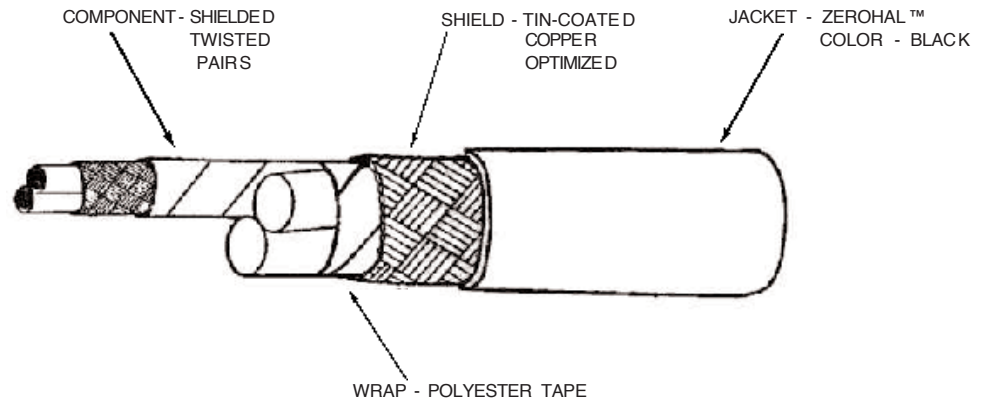
Optimized shielding capabilities for harsh EMI environment requirements

## MECHANICAL

Rugged cable jacket designs available

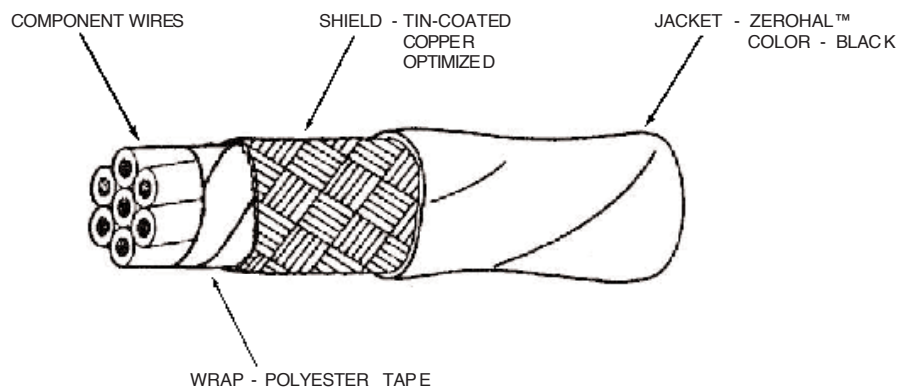
Large array of materials to choose from for conductors, shielding, and jacket insulation

## CABLE CONSTRUCTION



CABLE CONSTRUCTION DETAILS

PART NUMBER 1/	CONDUCTOR SIZE (AWG)	TYPE NUMBER	NUMBER OF PAIRS	OVERALL SHIELD STRAND SIZE AWG (nominal)	DIAMETER OVER SHIELD (inch) (nominal)	JACKET THICKNESS (inch) (minimum)	CABLE DIAMETER (inch)		CABLE WEIGHT (lbs/1000 ft) (max)
							MINIMUM	MAXIMUM	
345M09B-22- 6	22	2XS0- 3	3	32	.289	.038	.380	.410	117.0
345M09B-22-1 4	22	2XS0- 7	7	32	.386	.041	.474	.510	184.0
345M09B-22-2 0	22	2XS0-10	10	32	.503	.044	.594	.640	262.0
345M09B-22-2 8	22	2XS0-14	14	34	.547	.044	.636	.686	301.0
345M09B-22-3 8	22	2XS0-19	19	34	.615	.044	.709	.765	383.0
345M09B-22-6 0	22	2XS0-30	30	34	.781	.047	.869	.937	554.0



CABLE CONSTRUCTION DETAILS

PART NUMBER 1/	CONDUCTOR SIZE (AWG)	TYPE NUMBER	NUMBER OF CONDUCTORS	OVERALL SHIELD STRAND SIZE AWG (nominal)	DIAMETER OVER SHIELD (inch) (nominal)	JACKET THICKNESS (inch) (minimum)	CABLE DIAMETER (inch)		CABLE WEIGHT (lbs/1000 ft) (max)
							MINIMUM	MAXIMUM	
345M10B-16- 2	16	MXSO- 2	2	30	.195	.034	.282	.304	76.4
345M10B-16- 9	16	MXSO- 9	9	32	.335	.041	.424	.458	180.0
345M10B-16-2 1	16	MXSO-21	21	32	.460	.044	.552	.596	329.0
345M10B-16-3 7	16	MXSO-37	37	34	.555	.044	.644	.694	497.0

## FOR MORE INFORMATION

### Technical Support

Internet: [www.tycoelectronics.com](http://www.tycoelectronics.com)

USA: 1-800-522-6752

Canada: 1-905-470-4425

Mexico: 1-800-733-8926

C. America: 52-55-1106-0803

South America: 55-11-2103-6000

Hong Kong: 852-2735-1628

Japan: 81-44-844-8013

Great Britain: 44-208-420-8341

France: 33-1-3420-8888

Germany: 49-6251-133-0

Italy: 39-011-4012-111

India: 91-80-285-40800

### Tyco Electronics Corporation

Harrisburg, PA

[tycoelectronics.com](http://tycoelectronics.com)

Copyright 2007 By Tyco Electronics Corporation  
7-1773447-2 5M A&D/CGX 08-07  
RAYCHEM, TE LOGO, TYCO ELECTRONICS and  
ZEROHAL are trademarks.

