

FEATURES

- Hermetically sealed (welded)
- Zener voltage 3.9V to 200 V
- Voltage tolerance $\pm 5\%$
- Highly reliable

TYPICAL APPLICATIONS

- Defence
- Auto alternators

TECHNICAL DATA

DEVICE TYPE (Series)	Wattage (W)	V_z (V)
3EZ3.9 TO 3EZ200	3	3.9-200



MAXIMUM RATING

- Operating and storage temperature: -65°C to $+150^{\circ}\text{C}$
- Thermal resistance: 40°C/W
- Forward voltage @200 mA: 1.2 volts (maximum)
- Solder Temperatures: 260°C for 10 s (max)

ELECTRICAL CHARACTERISTICS @ 25°C

TYPE No.	NOMINAL ZENER VOLTAGE		MAXIMUM ZENER IMPEDANCE			MAXIMUM REVERSE CURRENT		MAXIMUM ZENER CURRENT	MAXIMUM SURGE CURRENT
	V _Z @ I _{ZT}		Z _{zT} @ I _{ZT}	Z _{ZK} @ I _{ZK}		I _R @ V _R		I _{ZM}	I _{ZSM}
	VOLTS	mA	OHMS	OHMS	mA	μA	VOLTS	mA	A
3EZ3	3.9	192	4.5	400	1.0	80	1.0	630	4.4
3EZ4	4.3	174	4.5	400	1.0	30	1.0	590	4.1
3EZ4	4.7	160	4.0	500	1.0	20	1.0	550	3.8
3EZ5	5.1	147	3.5	550	1.0	5.0	1.0	520	3.5
3EZ5	5.6	134	2.5	600	1.0	5.0	2.0	480	3.3
3EZ6	6.2	121	1.5	700	1.0	5.0	3.0	435	3.1
3EZ6	6.8	110	2.0	700	1.0	5.0	4.0	393	2.9
3EZ7	7.5	100	2.0	700	0.5	5.0	5.0	360	2.66
3EZ8	8.2	91	2.3	700	0.5	5.0	6.0	330	2.44
3EZ9	9.1	82	2.5	700	0.5	3.0	7.0	297	2.2
3EZ10	10	75	3.5	700	0.25	3.0	7.6	270	2.0
3EZ11	11	68	4.0	700	0.25	1.0	8.4	225	1.82
3EZ12	12	63	4.5	700	0.25	1.0	9.1	246	1.66
3EZ13	13	58	4.5	700	0.25	0.5	9.9	208	1.54
3EZ14	14	53	5.0	700	0.25	0.5	10.6	193	1.43
3EZ15	15	50	5.5	700	0.25	0.5	11.4	180	1.33
3EZ16	16	47	5.5	700	0.25	0.5	12.2	169	1.25
3EZ17	17	44	6.0	750	0.25	0.5	13	150	1.18
3EZ18	18	42	6.0	750	0.25	0.5	13.7	159	1.11
3EZ19	19	40	7.0	750	0.25	0.5	14.4	142	1.05
3EZ20	20	37	7.0	750	0.25	0.5	15.2	135	1.0
3EZ22	22	34	8.0	750	0.25	0.5	16.7	123	0.91
3EZ24	24	31	9.0	750	0.25	0.5	18.2	112	0.83
3EZ27	27	28	10	750	0.25	0.5	20.6	100	0.74
3EZ28	28	27	12	750	0.25	0.5	21	96	0.71
3EZ30	30	25	16	1000	0.25	0.5	22.5	90	0.67
3EZ33	33	23	20	1000	0.25	0.5	25.1	82	0.61
3EZ36	36	21	22	1000	0.25	0.5	27.4	75	0.56
3EZ39	39	19	28	1000	0.25	0.5	29.7	69	0.51
3EZ43	43	17	33	1500	0.25	0.5	32.7	63	0.45
3EZ47	47	16	38	1500	0.25	0.5	35.6	57	0.42
3EZ51	51	15	45	1500	0.25	0.5	38.8	53	0.39
3EZ56	56	13	50	2000	0.25	0.5	42.6	48	0.36
3EZ62	62	12	55	2000	0.25	0.5	47.1	44	0.32
3EZ68	68	11	70	2000	0.25	0.5	51.7	40	0.29
3EZ75	75	10	85	2000	0.25	0.5	56	36	0.27
3EZ82	82	9.1	95	3000	0.25	0.5	62.2	33	0.24
3EZ91	91	8.2	115	3000	0.25	0.5	69.2	30	0.22
3EZ100	100	7.5	160	3000	0.25	0.5	76	27	0.20
3EZ110	110	6.8	225	4000	0.25	0.5	83.6	25	0.18
3EZ120	120	6.3	300	4500	0.25	0.5	91.2	22	0.16
3EZ130	130	5.8	375	5000	0.25	0.5	98.8	21	0.15
3EZ140	140	5.3	475	5000	0.25	0.5	106.4	19	0.14
3EZ150	150	5.0	550	6000	0.25	0.5	114	18	0.13
3EZ160	160	4.7	625	6500	0.25	0.5	121.6	17	0.12
3EZ170	170	4.4	650	7000	0.25	0.5	130.4	16	0.12
3EZ180	180	4.2	700	7000	0.25	0.5	136.8	15	0.11
3EZ190	190	4.0	800	8000	0.25	0.5	144.8	14	0.10
3EZ200	200	3.7	875	8000	0.25	0.5	152	13	0.10

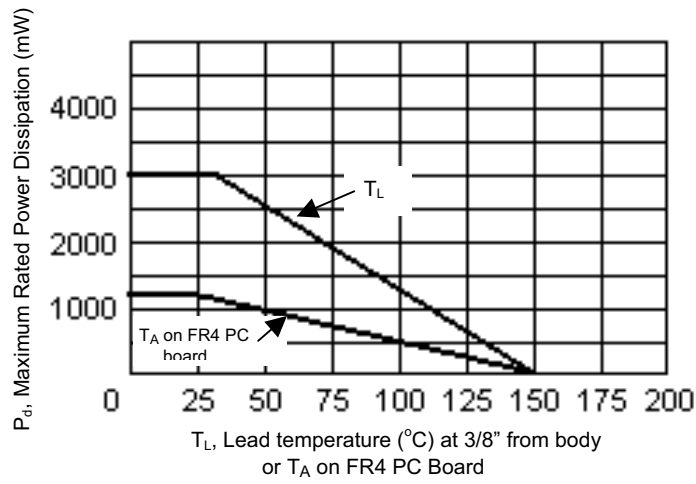
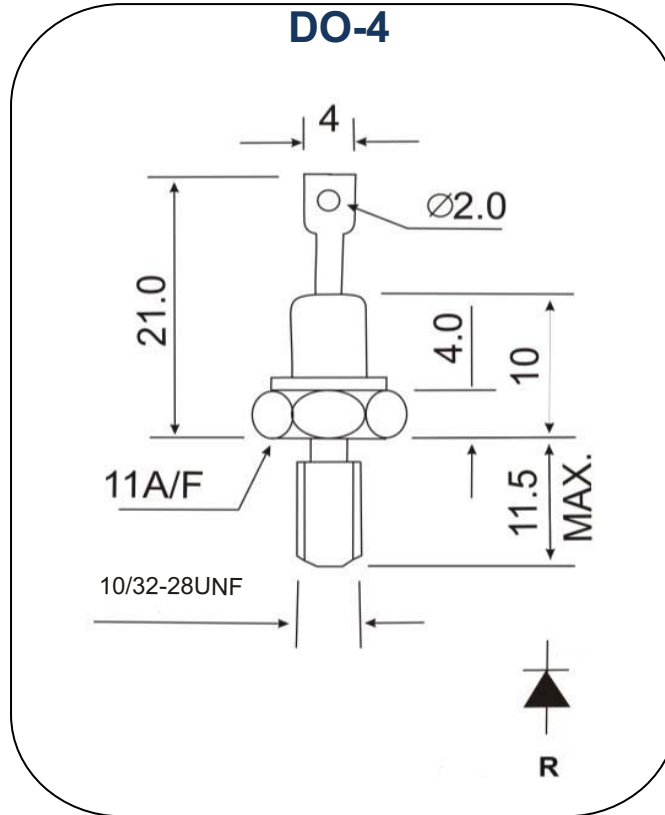


FIGURE 1
POWER DERATING CURVE

PACKAGE OUTLINE



All dimensions are in mm.

Insel Rectifiers (India) Pvt. Ltd.

(An ISO 9001:2015, ISO 14001:2015 Certified Company)

Plot No 151, Udyog Kendra, Extn.-II, Ecotech-III, Greater Noida-201306

Toll Free No.: 1800 3070 9989, Fax : 011-27491404

E-mail : insel@rectifierindia.com, sales@rectifierindia.com