



3N50K-MK

Power MOSFET

3A, 500V N-CHANNEL POWER MOSFET

DESCRIPTION

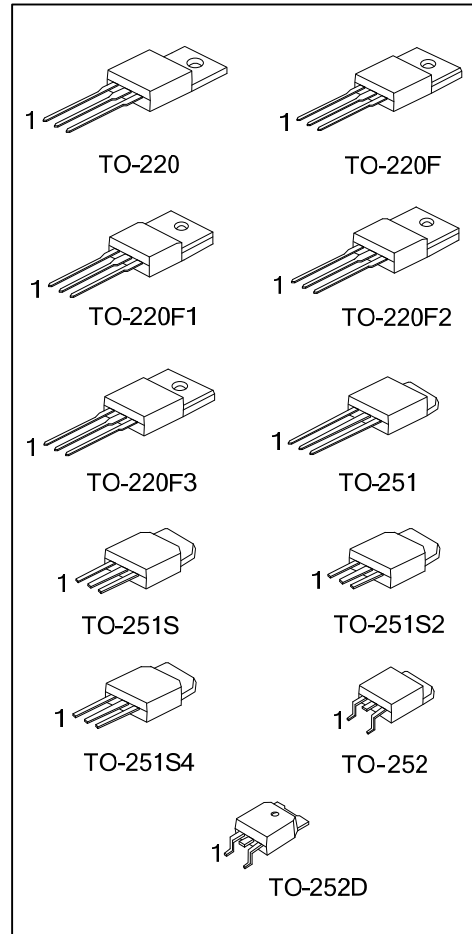
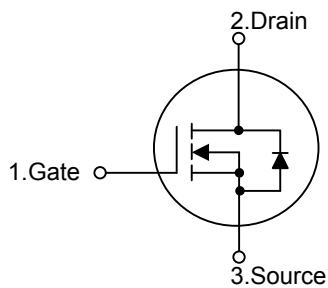
The UTC **3N50K-MK** is an N-channel mode power MOSFET using UTC's advanced technology to provide customers with planar stripe and DMOS technology. This technology allows a minimum on-state resistance and superior switching performance. It also can withstand high energy pulse in the avalanche and commutation mode.

The UTC **3N50K-MK** is generally applied in high efficiency switch mode power supplies, active power factor correction and electronic lamp ballasts based on half bridge topology.

FEATURES

- * $R_{DS(ON)} < 3.2\Omega @ V_{GS} = 10V, I_D = 1.5A$
- * High Switching Speed
- * 100% Avalanche Tested

SYMBOL



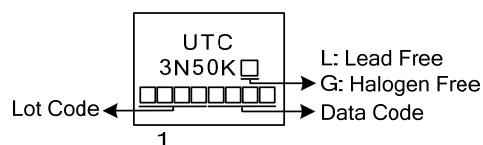
ORDERING INFORMATION

Ordering Number		Package	Pin Assignment			Packing
Lead Free	Halogen Free		1	2	3	
3N50KL-TA3-T	3N50KG-TA3-T	TO-220	G	D	S	Tube
3N50KL-TF3-T	3N50KG-TF3-T	TO-220F	G	D	S	Tube
3N50KL-TF1-T	3N50KG-TF1-T	TO-220F1	G	D	S	Tube
3N50KL-TF2-T	3N50KG-TF2-T	TO-220F2	G	D	S	Tube
3N50KL-TF3-T	3N50KG-TF3-T	TO-220F3	G	D	S	Tube
3N50KL-TM3-T	3N50KG-TM3-T	TO-251	G	D	S	Tube
3N50KL-TMS-T	3N50KG-TMS-T	TO-251S	G	D	S	Tube
3N50KL-TMS2-T	3N50KG-TMS2-T	TO-251S2	G	D	S	Tube
3N50KL-TMS4-T	3N50KG-TMS4-T	TO-251S4	G	D	S	Tube
3N50KL-TN3-R	3N50KG-TN3-R	TO-252	G	D	S	Tape Reel
3N50KL-TND-R	3N50KG-TND-R	TO-252D	G	D	S	Tape Reel

Note: Pin Assignment: G: Gate D: Drain S: Source

<p>3N50KL-TA3-T</p> <p>(1) Packing Type (2) Package Type (3) Green Package</p>	<p>(1) T: Tube, R: Tape Reel (2) TA3: TO-220, TF3: TO-220F, TF1: TO-220F1, TF2: TO-220F2, TF3: TO-220F3, TM3: TO-251 TMS: TO-251S, TMS2: TO-251S2, TMS4: TO-251S4, TN3: TO-252, TND: TO-252D (3) L: Lead Free, G: Halogen Free and Lead Free</p>
--	--

MARKING



■ ABSOLUTE MAXIMUM RATINGS ($T_c=25^\circ\text{C}$, unless otherwise specified)

PARAMETER		SYMBOL	RATINGS	UNIT
Drain-Source Voltage		V_{DSS}	500	V
Gate-Source Voltage		V_{GSS}	± 30	V
Drain Current	Continuous ($T_c=25^\circ\text{C}$)	I_D	3 (Note 5)	A
	Pulsed (Note 2)	I_{DM}	12 (Note 5)	A
Avalanche Current (Note 2)		I_{AR}	3	A
Avalanche Energy	Single Pulsed (Note 3)	E_{AS}	150	mJ
Peak Diode Recovery dv/dt (Note 4)		dv/dt	4.5	V/ns
Power Dissipation	TO-220	P_D	75	W
	TO-220F/TO-220F1 TO-220F3		25	W
	TO-220F2		26	W
	TO-251/TO-251S TO-251S2/TO-251S4 TO-252/TO-252D		50	W
	Derate above 25°C			
Derate above 25°C	TO-220	P_D	0.5	W/ $^\circ\text{C}$
	TO-220F/TO-220F1 TO-220F3		0.2	W/ $^\circ\text{C}$
	TO-220F2		0.208	W/ $^\circ\text{C}$
	TO-251/TO-251S TO-251S2/TO-251S4 TO-252/TO-252D		0.4	W/ $^\circ\text{C}$
	Power Dissipation			
Derate above 25°C		P_D	36	W
Derate above 25°C			0.288	W/ $^\circ\text{C}$
Junction Temperature		T_J	+150	$^\circ\text{C}$
Storage Temperature		T_{STG}	-55~+150	$^\circ\text{C}$

Notes: 1. Absolute maximum ratings are those values beyond which the device could be permanently damaged.

Absolute maximum ratings are stress ratings only and functional device operation is not implied.

2. Repetitive Rating: Pulse width limited by maximum junction temperature.

3. $L = 33.3 \text{ mH}$, $I_{AS} = 3\text{A}$, $V_{DD} = 50\text{V}$, $R_G = 25\Omega$, Starting $T_J = 25^\circ\text{C}$

4. $I_{SD} \leq 3\text{A}$, $di/dt \leq 200\text{A}/\mu\text{s}$, $V_{DD} \leq BV_{DSS}$, Starting $T_J = 25^\circ\text{C}$

5. Drain current limited by maximum junction temperature.

■ THERMAL DATA

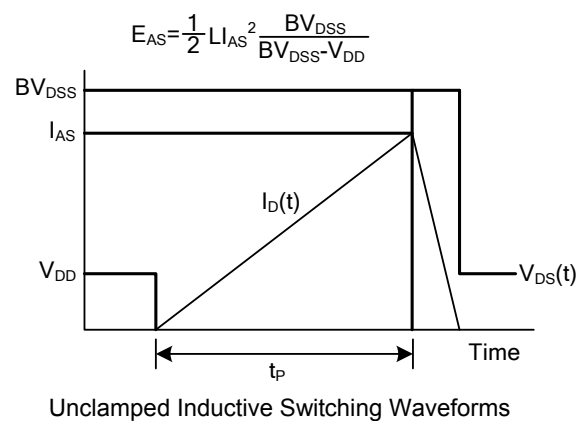
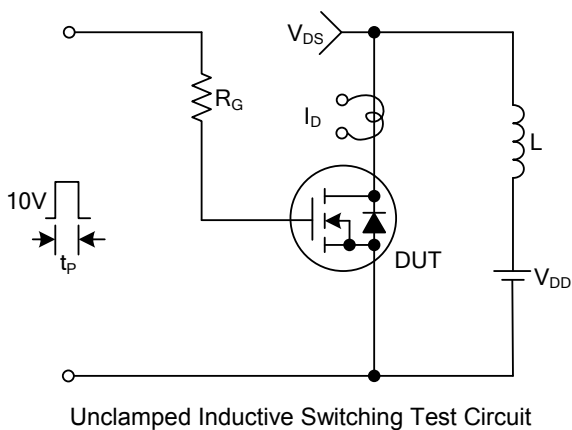
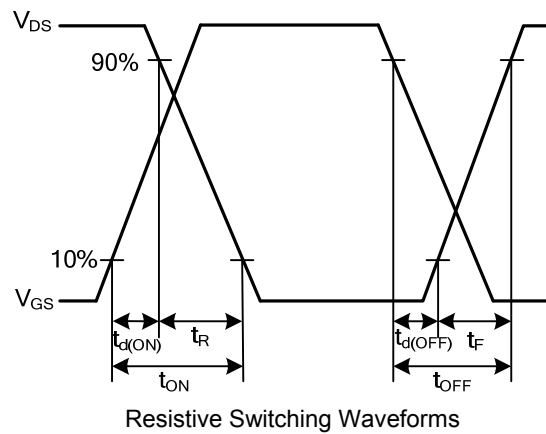
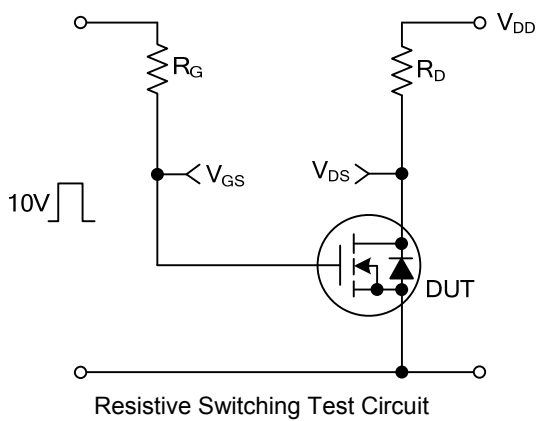
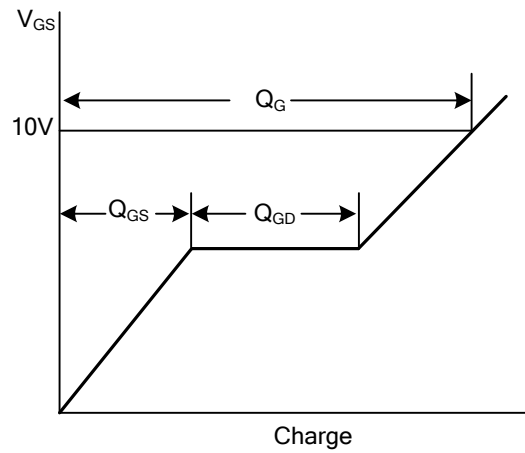
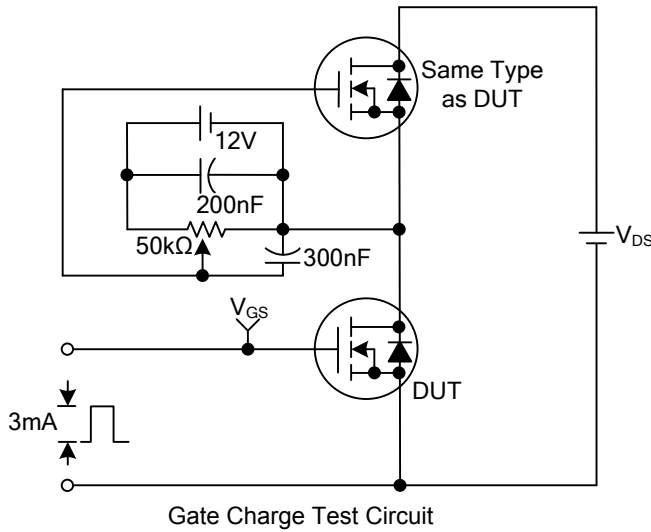
PARAMETER		SYMBOL	RATING	UNIT
Junction to Ambient	TO-220/TO-220F TO-220F1/TO-220F2 TO-220F3	θ_{JA}	62.5	$^\circ\text{C}/\text{W}$
	TO-251/TO-251S TO-251S2/TO-251S4 TO-252/TO-252D		110	
Junction to Case	TO-220	θ_{JC}	1.67	$^\circ\text{C}/\text{W}$
	TO-220F/TO-220F1 TO-220F3		4.9	
	TO-220F2		4.8	
	TO-251/TO-251S TO-251S2/TO-251S4 TO-252/TO-252D		2.5	

■ ELECTRICAL CHARACTERISTICS ($T_c=25^\circ\text{C}$, unless otherwise noted)

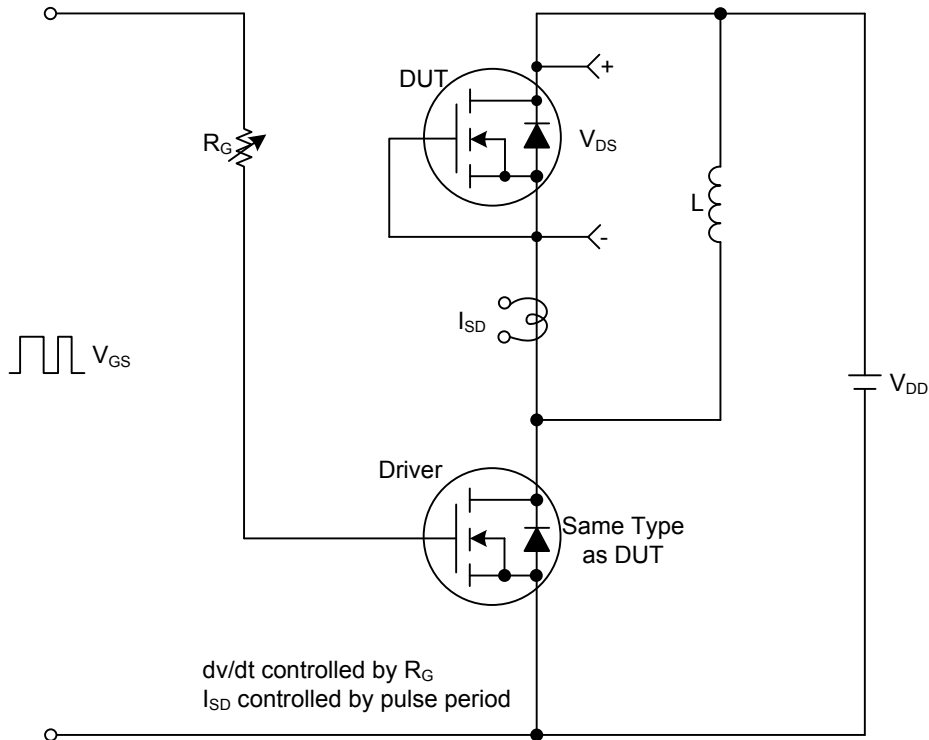
PARAMETER	SYMBOL	TEST CONDITIONS	MIN	TYP	MAX	UNIT
OFF CHARACTERISTICS						
Drain-Source Breakdown Voltage	BV_{DSS}	$I_D=250\mu\text{A}$, $V_{GS}=0\text{V}$	500			V
Drain-Source Leakage Current	I_{DSS}	$V_{DS}=500\text{V}$, $V_{GS}=0\text{V}$			1	μA
Gate- Source Leakage Current	Forward	I_{GSS}			+100	nA
	Reverse				-100	nA
ON CHARACTERISTICS						
Gate Threshold Voltage	$V_{GS(TH)}$	$V_{DS}=V_{GS}$, $I_D=250\mu\text{A}$	3.0		5.0	V
Static Drain-Source On-State Resistance	$R_{DS(ON)}$	$V_{GS}=10\text{V}$, $I_D=1.5\text{A}$			3.2	Ω
DYNAMIC PARAMETERS						
Input Capacitance	C_{ISS}	$V_{GS}=0\text{V}$, $V_{DS}=25\text{V}$, $f=1.0\text{MHz}$		415	530	pF
Output Capacitance	C_{OSS}			250	350	pF
Reverse Transfer Capacitance	C_{RSS}			50	60	pF
SWITCHING PARAMETERS						
Turn-ON Delay Time	$t_{D(ON)}$	$V_{DD}=30\text{V}$, $I_D=0.5\text{A}$, $R_G=25\Omega$ (Note 1, 2)		42	60	ns
Rise Time	t_R			18	25	ns
Turn-OFF Delay Time	$t_{D(OFF)}$			103	130	ns
Fall-Time	t_F			18	25	ns
Total Gate Charge	Q_G	$V_{GS}=10\text{V}$, $V_{DS}=50\text{V}$, $I_D=1.3\text{A}$ (Note 1, 2)		10	13	nC
Gate to Source Charge	Q_{GS}			1.5		nC
Gate to Drain Charge	Q_{GD}			5.5		nC
SOURCE- DRAIN DIODE RATINGS AND CHARACTERISTICS						
Maximum Body-Diode Continuous Current	I_S				3	A
Maximum Body-Diode Pulsed Current	I_{SM}				12	A
Drain-Source Diode Forward Voltage	V_{SD}	$I_S=3\text{A}$, $V_{GS}=0\text{V}$			1.4	V

- Notes: 1. Pulse Test: Pulse width $\leq 300\mu\text{s}$, Duty cycle $\leq 2\%$
 2. Essentially independent of operating temperature

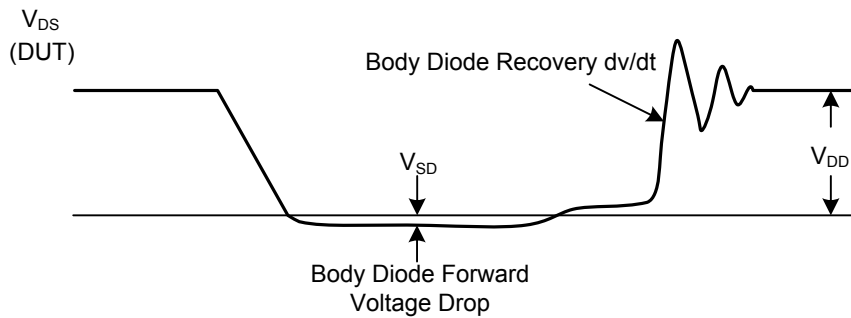
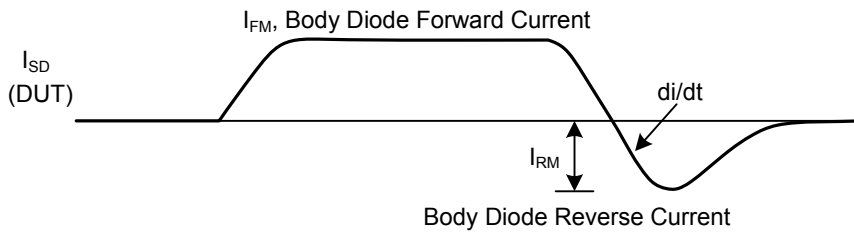
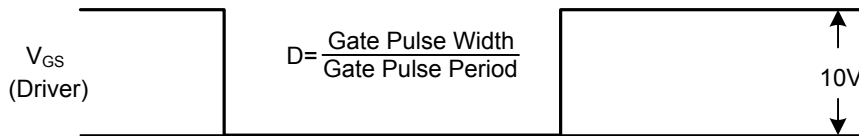
TEST CIRCUITS AND WAVEFORMS



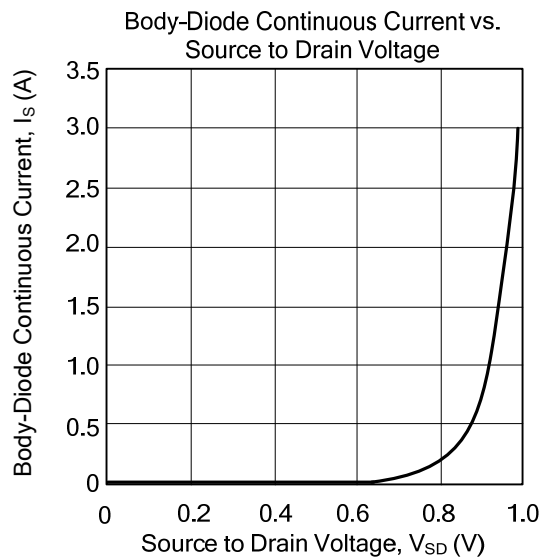
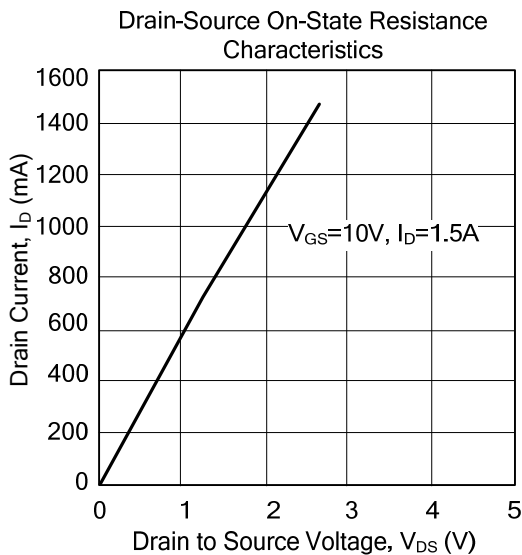
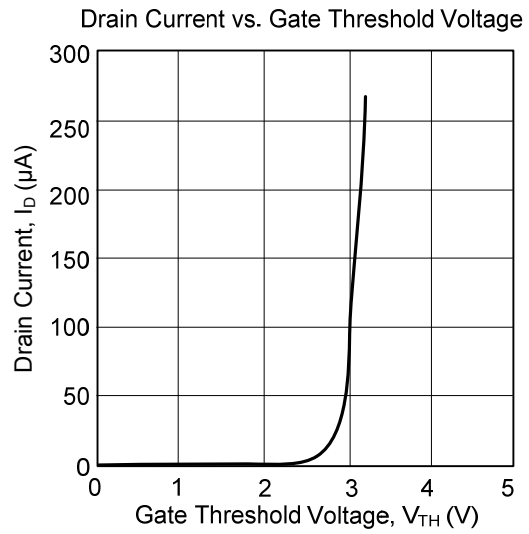
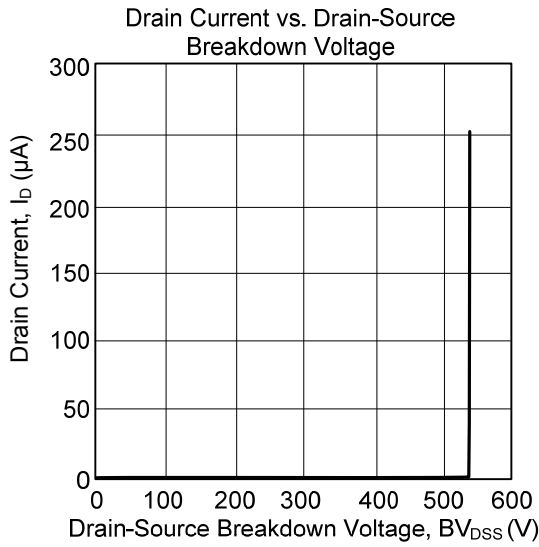
TEST CIRCUITS AND WAVEFORMS(Cont.)



Peak Diode Recovery dv/dt Test Circuit & Waveforms



TYPICAL CHARACTERISTICS



UTC assumes no responsibility for equipment failures that result from using products at values that exceed, even momentarily, rated values (such as maximum ratings, operating condition ranges, or other parameters) listed in products specifications of any and all UTC products described or contained herein. UTC products are not designed for use in life support appliances, devices or systems where malfunction of these products can be reasonably expected to result in personal injury. Reproduction in whole or in part is prohibited without the prior written consent of the copyright owner. The information presented in this document does not form part of any quotation or contract, is believed to be accurate and reliable and may be changed without notice.