



3N65K

Power MOSFET

3A, 650V N-CHANNEL POWER MOSFET

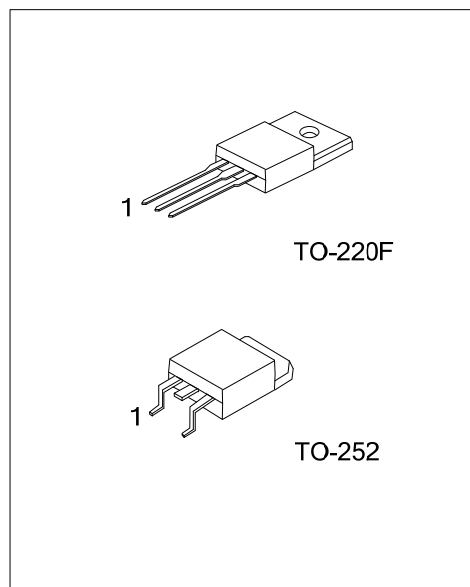
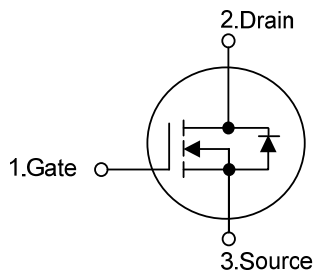
DESCRIPTION

The UTC **3N65K** is a high voltage and high current power MOSFET designed to have better characteristics, such as fast switching time, low gate charge, low on-state resistance and high rugged avalanche characteristics. This power MOSFET is usually used in high speed switching applications at power supplies, PWM motor controls, high efficient DC to DC converters and bridge circuits.

FEATURES

- * $R_{DS(ON)} = 3.8\Omega @ V_{GS} = 10V$
- * Ultra low gate charge (typical 10 nC)
- * Low reverse transfer capacitance ($C_{RSS} =$ typical 5.5 pF)
- * Fast switching capability
- * Avalanche energy specified
- * Improved dv/dt capability, high ruggedness

SYMBOL



ORDERING INFORMATION

Ordering Number		Package	Pin Assignment			Packing
Lead Free	Halogen Free		1	2	3	
3N65KL-TF3-T	3N65KG-TF3-T	TO-220F	G	D	S	Tube
3N65KL-TN3-R	3N65KG-TN3-R	TO-252	G	D	S	Tape Reel
3N65KL-TN3-T	3N65KG-TN3-T	TO-252	G	D	S	Tube

Note: Pin Assignment: G: Gate D: Drain S: Source

<p>3N65KL-TF3-T</p> <p>(1) Packing Type (2) Package Type (3) Lead Free</p>	<p>(1) R: Tape Reel, T: Tube (2) TF3: TO-22F, TN3: TO-252 (3) G: Halogen Free, L: Lead Free</p>
--	---

■ ABSOLUTE MAXIMUM RATINGS ($T_C = 25^\circ\text{C}$, unless otherwise specified)

PARAMETER		SYMBOL	RATINGS	UNIT
Drain-Source Voltage		V_{DSS}	650	V
Gate-Source Voltage		V_{GSS}	± 30	V
Avalanche Current (Note 2)		I_{AR}	3.0	A
Continuous Drain Current		I_D	3.0	A
Pulsed Drain Current (Note 2)		I_{DM}	12	A
Avalanche Energy	Single Pulsed (Note 3)	E_{AS}	45	mJ
	Repetitive (Note 2)	E_{AR}	7.5	mJ
Peak Diode Recovery dv/dt (Note 4)		dv/dt	4.5	V/ns
Power Dissipation	TO-220	P_D	75	W
	TO-220F/TO-220F1		34	
	TO-251/TO-252		50	
Junction Temperature		T_J	+150	$^\circ\text{C}$
Operating Temperature		T_{OPR}	-55 ~ +150	$^\circ\text{C}$
Storage Temperature		T_{STG}	-55 ~ +150	$^\circ\text{C}$
Note:	1. Absolute maximum ratings are those values beyond which the device could be permanently damaged. Absolute maximum ratings are stress ratings only and functional device operation is not implied.			
	2. Repetitive Rating: Pulse width limited by maximum junction temperature			
	3. $L = 64\text{mH}$, $I_{AS} = 3.0\text{A}$, $V_{DD} = 50\text{V}$, $R_G = 25\ \Omega$, Starting $T_J = 25^\circ\text{C}$			
	4. $I_{SD} \leq 3.0\text{A}$, $di/dt \leq 200\text{A}/\mu\text{s}$, $V_{DD} \leq BV_{DSS}$, Starting $T_J = 25^\circ\text{C}$			

■ THERMAL DATA

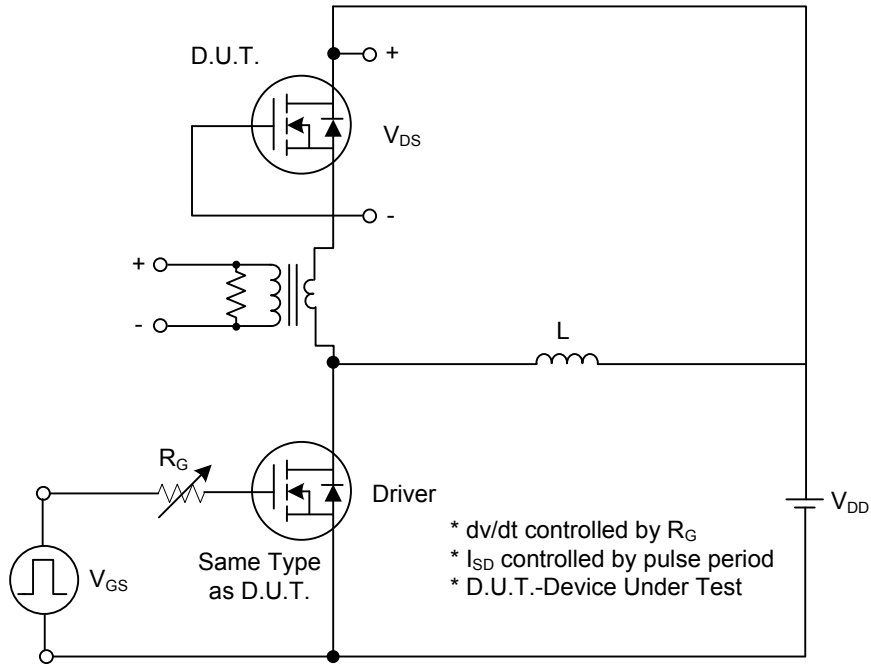
PARAMETER		SYMBOL	RATING	UNIT
Junction to Ambient	TO-220F	θ_{JA}	62.5	$^\circ\text{C}/\text{W}$
	TO-252		110	
Junction to Case	TO-220F	θ_{JC}	3.68	$^\circ\text{C}/\text{W}$
	TO-252		2.5	

■ ELECTRICAL CHARACTERISTICS (T_C=25°C, unless otherwise specified)

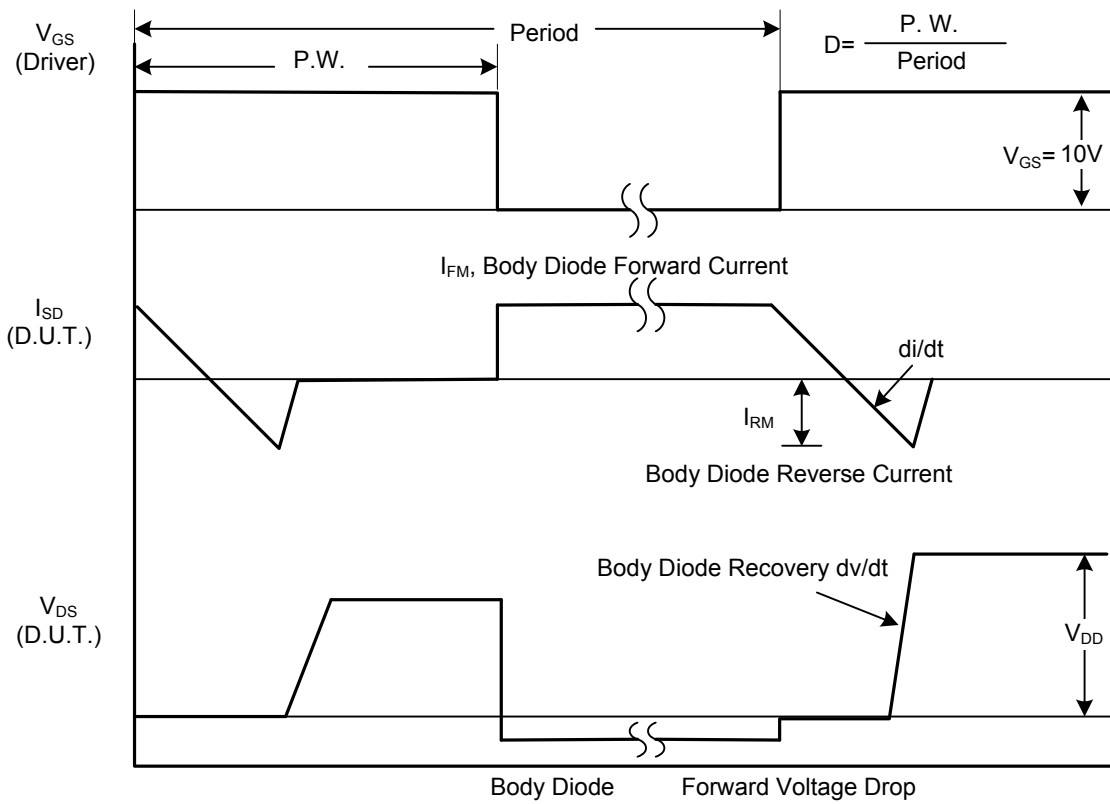
PARAMETER	SYMBOL	TEST CONDITIONS	MIN	TYP	MAX	UNIT
OFF CHARACTERISTICS						
Drain-Source Breakdown Voltage	BV _{DSS}	V _{GS} = 0 V, I _D = 250 μA	650			V
Drain-Source Leakage Current	I _{DSS}	V _{DS} = 650 V, V _{GS} = 0 V			10	μA
Gate-Source Leakage Current	Forward	I _{GSS}			100	nA
	Reverse					
		V _{GS} = -30 V, V _{DS} = 0 V			-100	nA
Breakdown Voltage Temperature Coefficient	ΔBV _{DSS} /ΔT _J	I _D =250μA, Referenced to 25°C		0.6		V/°C
ON CHARACTERISTICS						
Gate Threshold Voltage	V _{GS(TH)}	V _{DS} = V _{GS} , I _D = 250 μA	2.0		4.0	V
Static Drain-Source On-State Resistance	R _{DS(ON)}	V _{GS} = 10V, I _D = 1.5A		2.9	3.8	Ω
DYNAMIC CHARACTERISTICS						
Input Capacitance	C _{ISS}	V _{DS} = 25V, V _{GS} = 0V, f = 1MHz		350	450	pF
Output Capacitance	C _{OSS}			50	65	pF
Reverse Transfer Capacitance	C _{RSS}			5.5	7.5	pF
SWITCHING CHARACTERISTICS						
Turn-On Delay Time	t _{D(ON)}	V _{DD} = 325V, I _D = 3.0A, R _G = 25Ω (Note 1, 2)		10	30	ns
Turn-On Rise Time	t _R			30	70	ns
Turn-Off Delay Time	t _{D(OFF)}			20	50	ns
Turn-Off Fall Time	t _F			30	70	ns
Total Gate Charge	Q _G	V _{DS} = 520V, I _D = 3.0A, V _{GS} = 10 V (Note 1, 2)		10	13	nC
Gate-Source Charge	Q _{GS}			2.7		nC
Gate-Drain Charge	Q _{DD}			4.9		nC
SOURCE- DRAIN DIODE RATINGS AND CHARACTERISTICS						
Drain-Source Diode Forward Voltage	V _{SD}	V _{GS} = 0 V, I _S = 3.0 A			1.4	V
Maximum Continuous Drain-Source Diode Forward Current	I _S				3.0	A
Maximum Pulsed Drain-Source Diode Forward Current	I _{SM}				12	A
Reverse Recovery Time	t _{rr}	V _{GS} = 0 V, I _S = 3.0 A, di _F /dt = 100A/μs (Note 1)		210		ns
Reverse Recovery Charge	Q _{RR}				1.2	

- Notes: 1. Pulse Test: Pulse Width ≤ 300μs, Duty Cycle ≤ 2%
2. Essentially independent of operating temperature.

TEST CIRCUITS AND WAVEFORMS

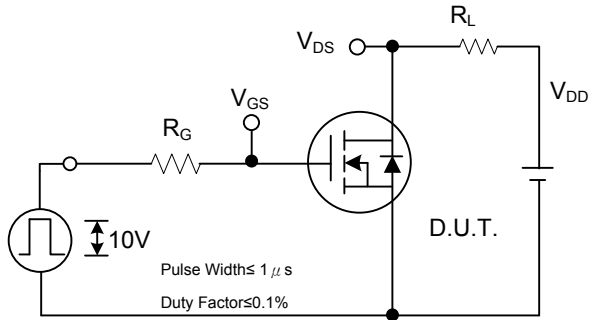


Peak Diode Recovery dv/dt Test Circuit

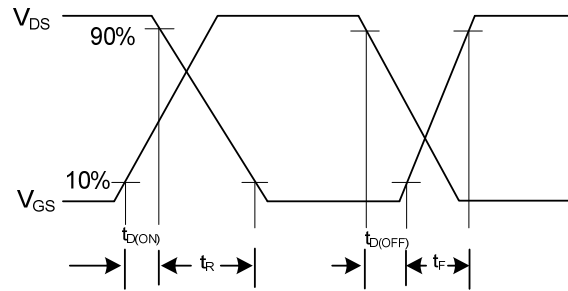


Peak Diode Recovery dv/dt Waveforms

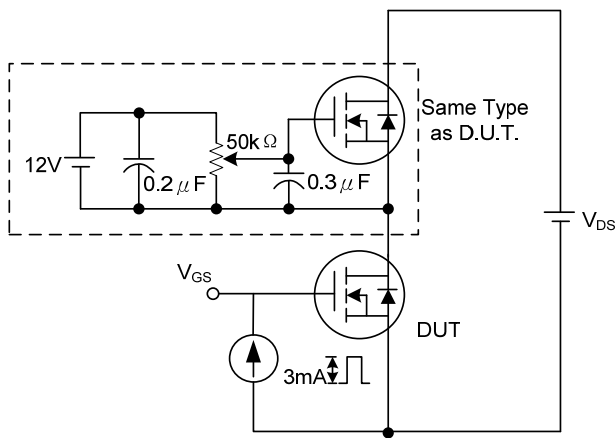
TEST CIRCUITS AND WAVEFORMS (Cont.)



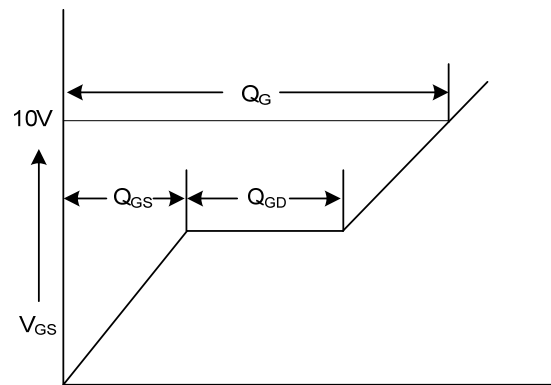
Switching Test Circuit



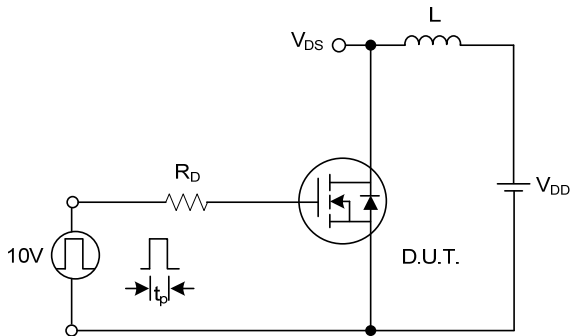
Switching Waveforms



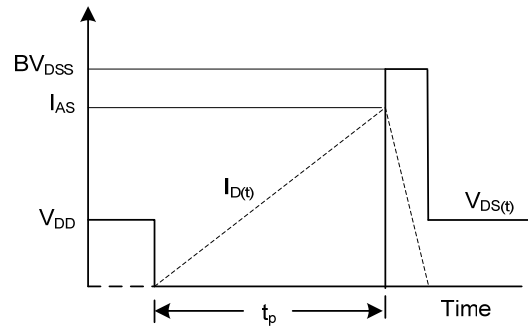
Gate Charge Test Circuit



Gate Charge Waveform



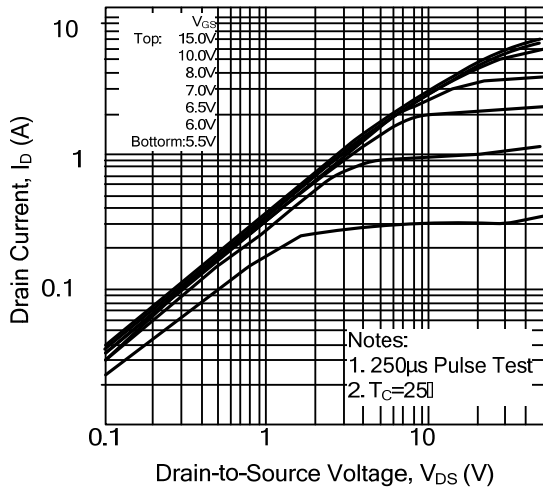
Unclamped Inductive Switching Test Circuit



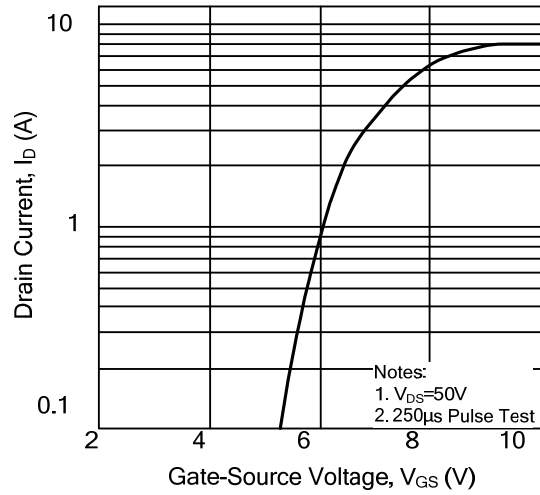
Unclamped Inductive Switching Waveforms

TYPICAL CHARACTERISTICS

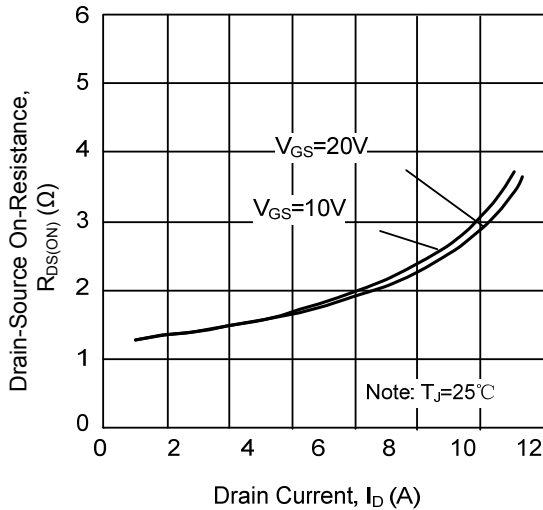
On-State Characteristics



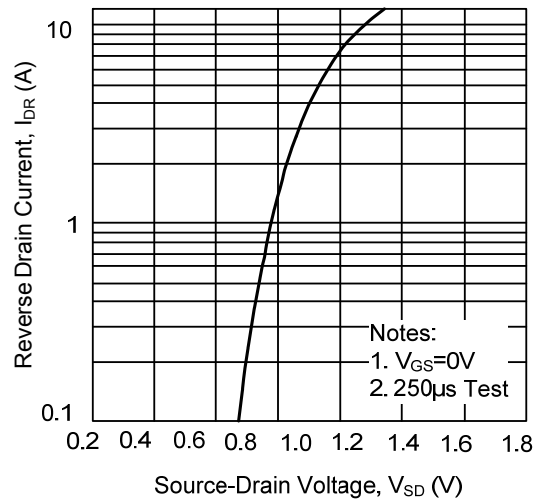
Transfer Characteristics



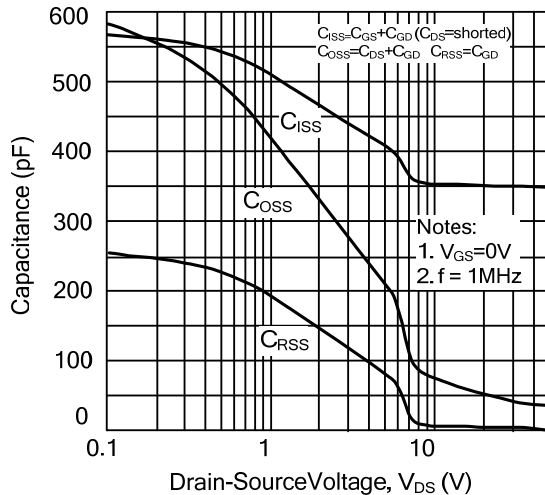
On-Resistance Variation vs. Drain Current and Gate Voltage



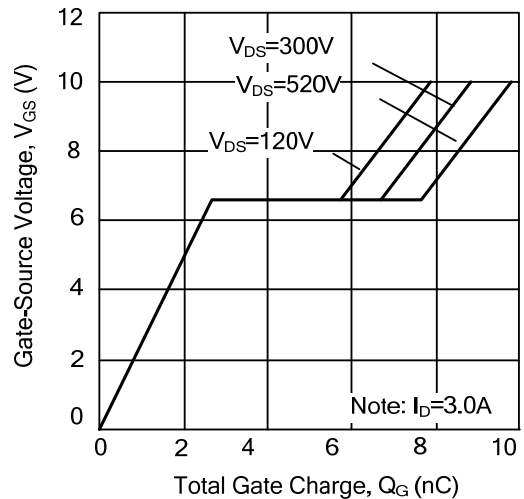
On State Current vs. Allowable Case Temperature



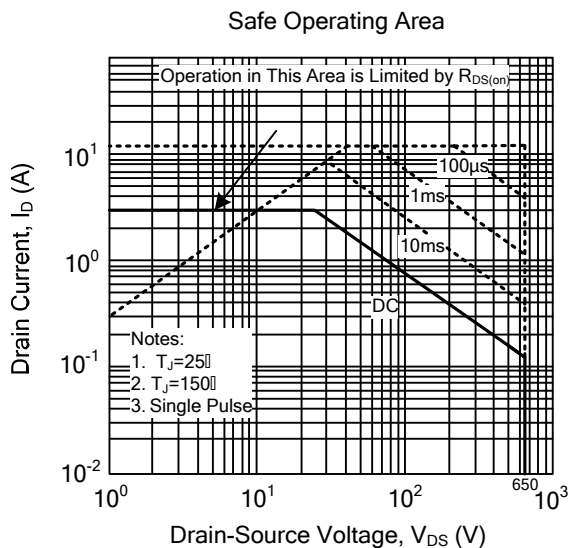
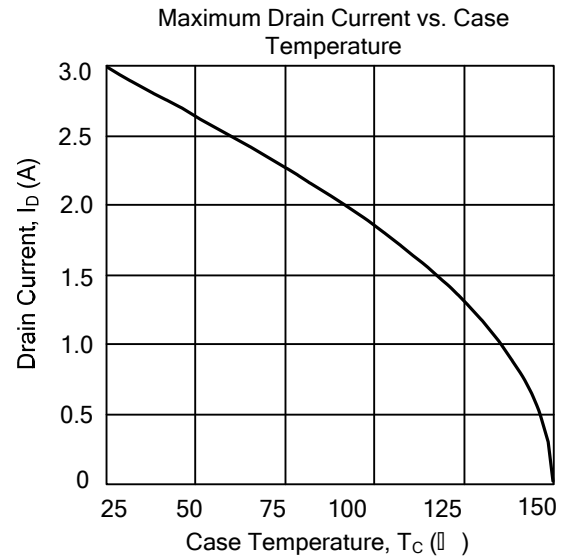
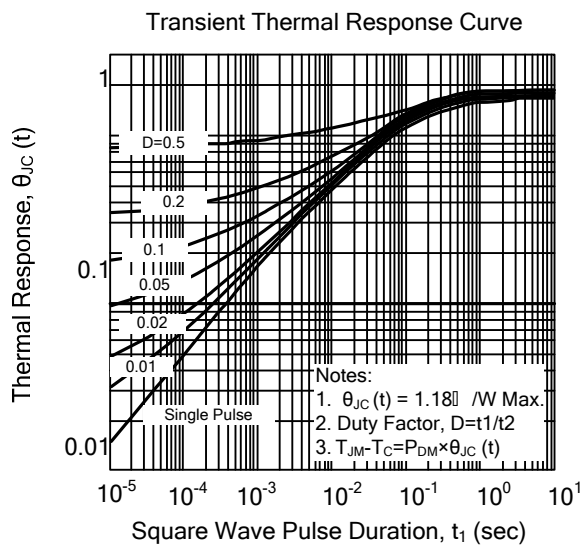
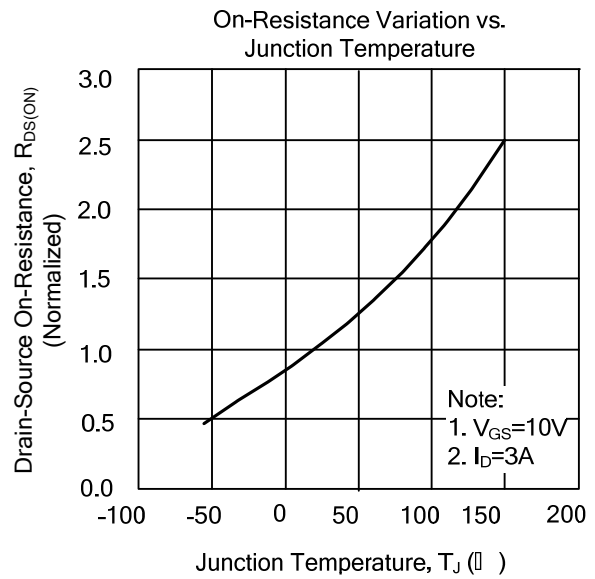
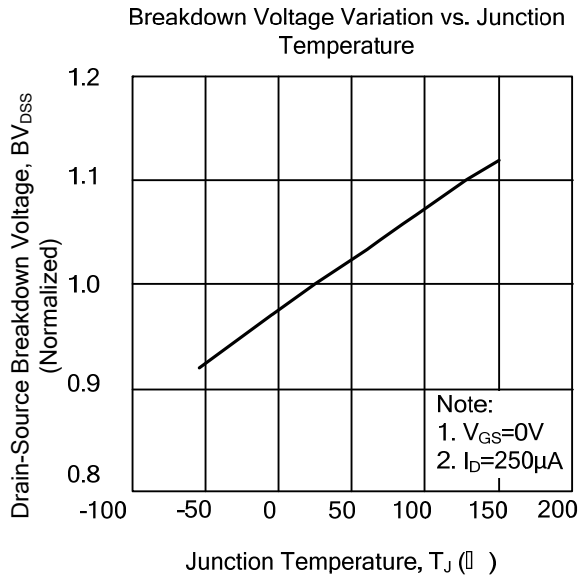
Capacitance Characteristics (Non-Repetitive)



Gate Charge Characteristics



TYPICAL CHARACTERISTICS(Cont.)



UTC assumes no responsibility for equipment failures that result from using products at values that exceed, even momentarily, rated values (such as maximum ratings, operating condition ranges, or other parameters) listed in products specifications of any and all UTC products described or contained herein. UTC products are not designed for use in life support appliances, devices or systems where malfunction of these products can be reasonably expected to result in personal injury. Reproduction in whole or in part is prohibited without the prior written consent of the copyright owner. The information presented in this document does not form part of any quotation or contract, is believed to be accurate and reliable and may be changed without notice.