



P/N: 40ST1027 DATA SHEET

Feature



- Compliant with IEEE 802.3u and ANSI X3.263 standards including 350 μ H OCL with 8 mA bias.
- Modules designed to support two RJ-45 connectors.
- Operating temperature range: 0°C to +70°C.
- Storage temperature range: -25°C to +125°C.

Electrical Specifications @ 25°C

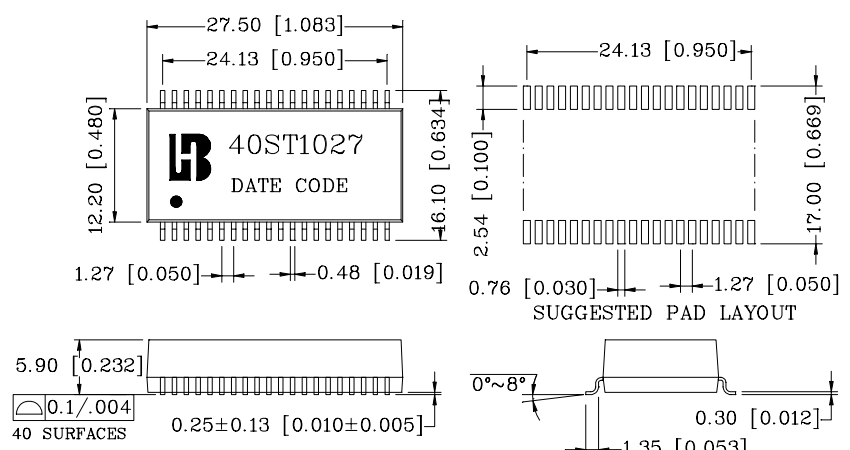
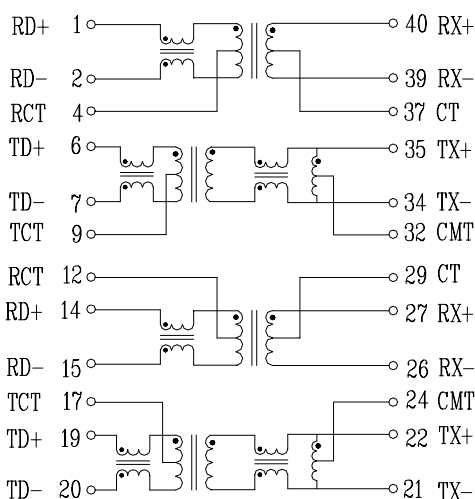
Part Number	Turns Ratio ($\pm 5\%$)		OCL (μ H Min) @100KHz/0.1Vrms 8mA DC/Bias	L.L (μ H Max)	C _{w/w} (pF Max)	HI-POT (Vrms)
	TX	RX				
40ST1027	1CT:1	1CT:1CT	350	0.4	28	1500

Continue

Part Number	Insertion Loss (dB Max.)	Return Loss (dB Min)				Cross talk (dB Min)		DCMR (dB Min)	
		0.3-100MHz	2-30MHz	40MHz z	50MHz	60-80MHz	0.3-60MHz	30-100MHz	1-60MHz
40ST1027	-1.15	-21	-17	-14.5	-12	-45	-35	-37	-25

Schematic

Mechanical



Units: mm [Inches] Tolerance: xx.x0±0.25 [0.010]
0.xx±0.05 [0.002]