

40 PIN SMD ETHERNET 10/100 BASE QUAD PORT TRANSFORMER

PN:40ST1041L DATA SHEET

A.GENERAL SPECIFICATIONS

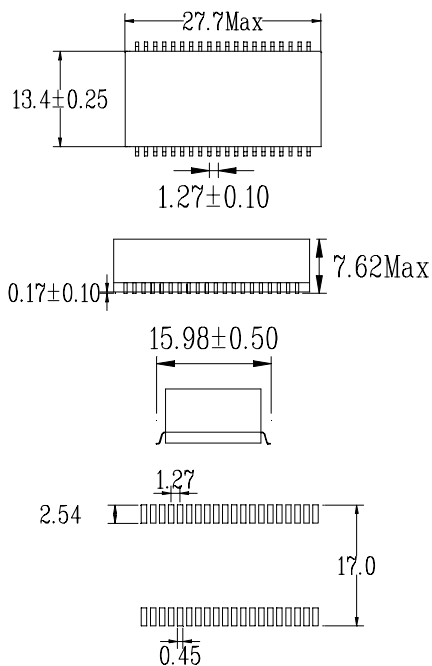
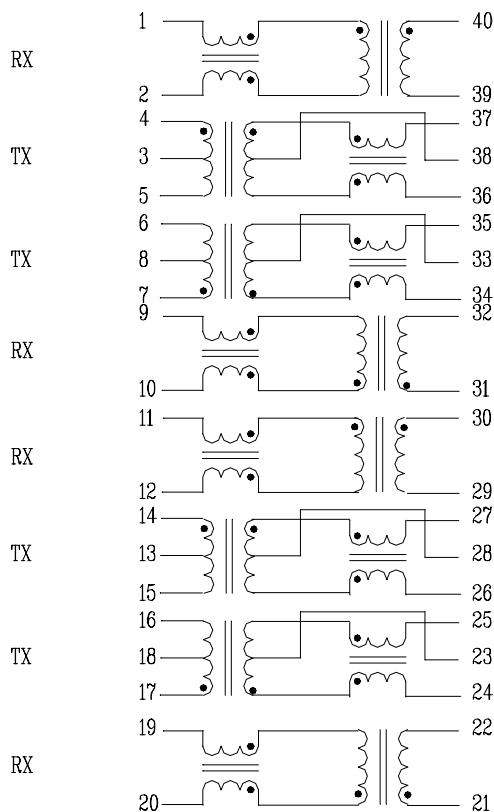
- 1.IEEE 802.3 ETHERNET COMPATIBLE, 100 BASE-TX
- 2.SURFACE MOUNTABLE
- 3.DESIGN FOR MULTIPORT REPEATER AND ETHERNET SWITCHING HUB APPLICATION
- 4.CUSTOMER DESIGNS AVAILABLE FOR SPECIFIC APPLICATION
- 5.OPERATING TEMP RANGE: 0°C TO 100°C.

B.ELECTRICAL SPECIFICATIONS @25°C

- 1.ISOLATION HI-POT: 1500 Vrms (PRI. /SEC.)
- 2.TURN RATIO (±5%): TX=1CT: 1.25CT, RX=1:1
- 3.RISE TIME: 2.5 ns TYP
- 4.CW/W: 28 pF MAX
- 5.LEAKAGE INDUCTANCE (1MHz): 0.5uH Max
- 6.CMRR (0.1-100 MHz): -37dB Min
- 7.RETURN LOSS: 5-30 MHz 30-60 MHz 60-80 MHz
 -16dB -12dB -10 dB (Min)
- 8.CROSSTALKS (0.1 TO 100MHz): -38dB Min
- 9.OCL (uH,Min):350 uH, at 8mA/dc FORM 0-70°C
- 10.DCR: 0.9Ω Max
- 10.INSERTION LOSS (1MHz-100MHz): -1.15dB Max



C.SCHEMATIC & DIMENSIONS & MARKING (UNIT mm):



Suggest pad layout
TOLERANCE: ±0.25