



P/N: 40ST1041 LF DATA SHEET

Feature



- 40-PIN SMD Package compatible with broadcom, NS TMI Davicom chips.
- Designed for multi-port repeater and switched Ethernet applications utilizing single RJ-45 connectors.
- Lead free for external pins.
- Operating temperature range : 0 to +70 .
- Storage temperature range: -25 to +125 .

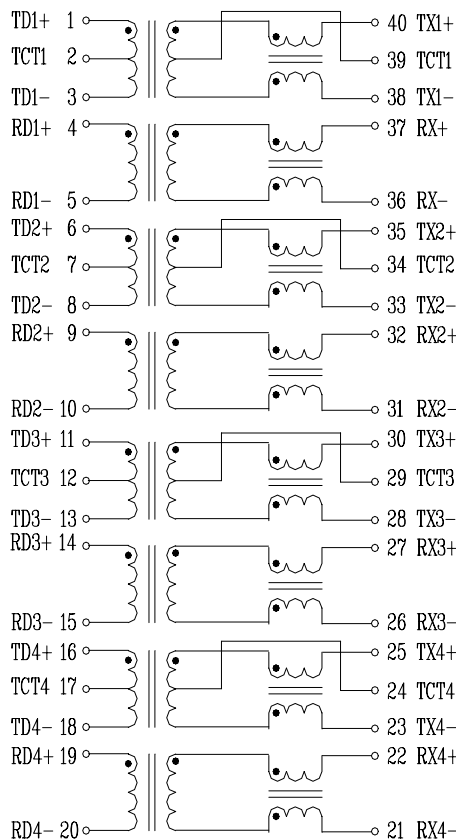
Electrical Specifications @ 25°C

Part Number	Turns Ratio (±5%)		OCL(μH Min) @100KHz/0.1Vrms with 8mA DC/Bias	L.L (μ H Max)	Cw/w (pF Max)	HI-POT (Vrms)	Insulation resistance (MΩ)
	TX	RX					
40ST1041 LF	1CT: 1CT	1:1	350	0.42	30	1500	10,000

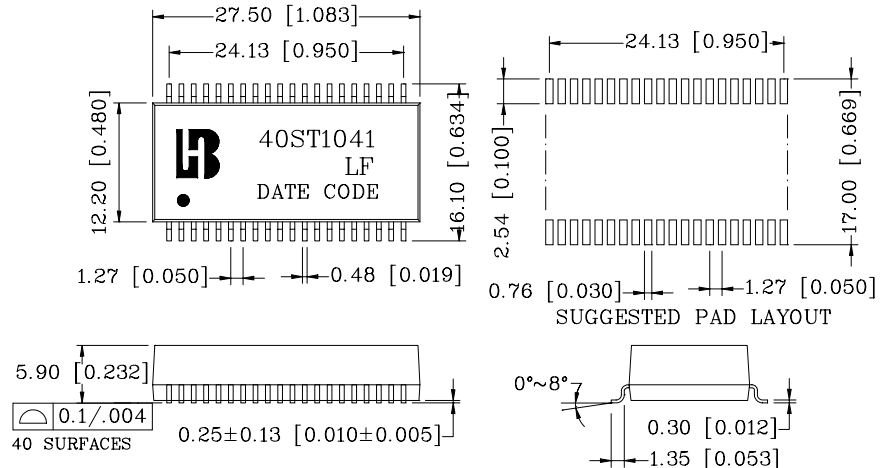
Continue

Part Number	Insertion Loss (dB Max)	Return Loss (dB Min)			Cross talk (dB Min)		DCMR (dB Min)		
		0.3-100MHz	0.3-30MHz	30-60MHz	60-80MHz	0.3-60MHz	60-100MHz	60 MHz	100 MHz
40ST1041 LF	-1.15	-16	-12	-10	-40	-35	-37	-28	-25

Schematic



Mechanical



Units: mm[Inches] Tolerance: xx.x0±0.25[0.010]
0.xx±0.05[0.002]