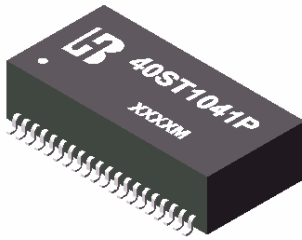


40 PIN SMD ETHERNET 10/100 BASE QUAD PORT TRANSFORMER

P/N: 40ST1041P DATA SHEET

Feature

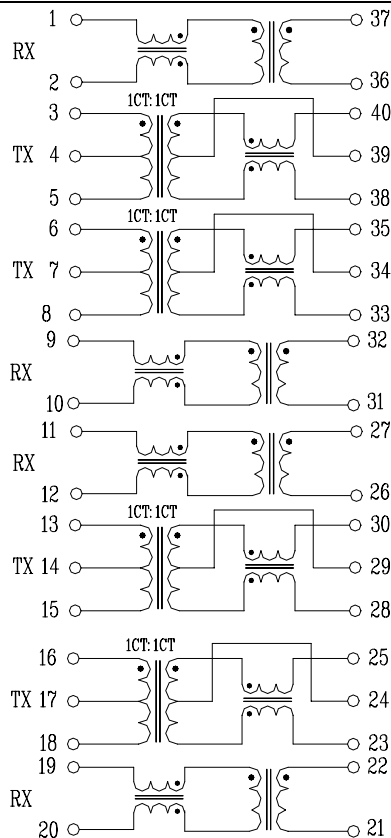


- IEEE 802.3 Ethernet compatible 100 BASE-TX.
- Surface mountable .
- Design for multiport repeater and Ethernet switching hub application .
- Customer designs available for specific application .
- Operating temperature range : -0°C to +70°C.
- Storage temperature range: -25°C to +125°C.

Electrical Specifications @ 25°C									
Part Number	Turns Ratio (±5%)		OCL(μH Min) @100KHz/0.1Vrms 8mA DC/Bias	L.L (μH Max)	C _{ww} (pF Max)	RiseTime (nS Typ)	HI-POT (Vrms)		
	TX	RX					60MHz	100MHz	200MHz
40ST1041P	1CT:1CT	1:1	350	0.42	30	2.5	2000		

Continue									
Part Number	Insertion Loss (dB Max)	Return Loss (dB Min)			Cross talk (dB Min)		DCMR (dB Min)		
		0.3-100MHz	0.3-30MHz	30-60MHz	60-80MHz	0.3-60MHz	60-100MHz	60MHz	100MHz
40ST1041P	-1.15	-16	-12	-10	-45	-35	-37	-28	-25

Schematic



Mechanical

