

40 PIN SMD ETHERNET 10/100 BASE QUAD PORT TRANSFORMER

P/N: 40ST1042 DATA SHEET

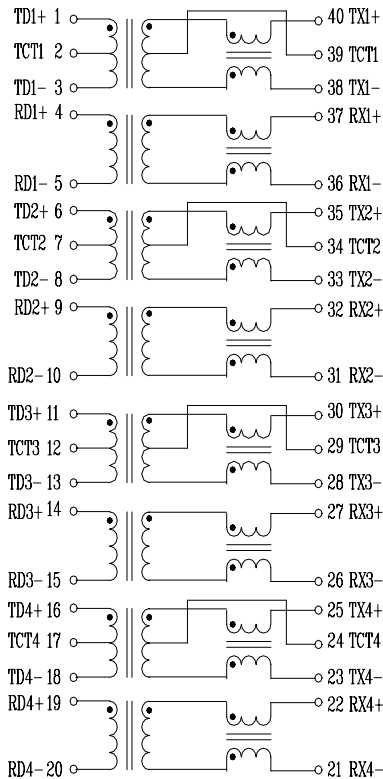
Feature



- IEEE 802.3 Ethernet compatible, 100 BASE-TX.
- Surface mountable.
- Design for multiport repeater and Ethernet switching Hub application.
- Customer designs available for specific application.
- Operating temperature range : 0°C to +70°C.
- Storage temperature range: -25°C to +125°C.

Electrical Specifications @ 25°C								
Part Number	Turns Ratio (±5%)		OCL (uH Min) @ 100KHz/0.1Vrms with 8mA/DC Bias	L.L (uH Max)		CW/W (pF Max)	Insulation Resistance (MΩ)	Voltage Isolation (Vrms)
	TX	RX		TX	RX			
40ST1042	2CT:1CT	1:1	350	1.3	0.5	30	10,000	1500
Continue								
Part Number	Insertion Loss (dB Max)	Return Loss (dB Min)				Cross talk (dB Min)	DCMR (dB Min)	
		0.3-100MHz	0.3-30MHz	40MHz	50MHz		60-80MHz	0.3-100 MHz
40ST1042	-1.15	-18	-15.5	-13.6	-12	-38	-37	-25

Schematic



Mechanical

