



P/N: 40ST1045 DATA SHEET

Feature

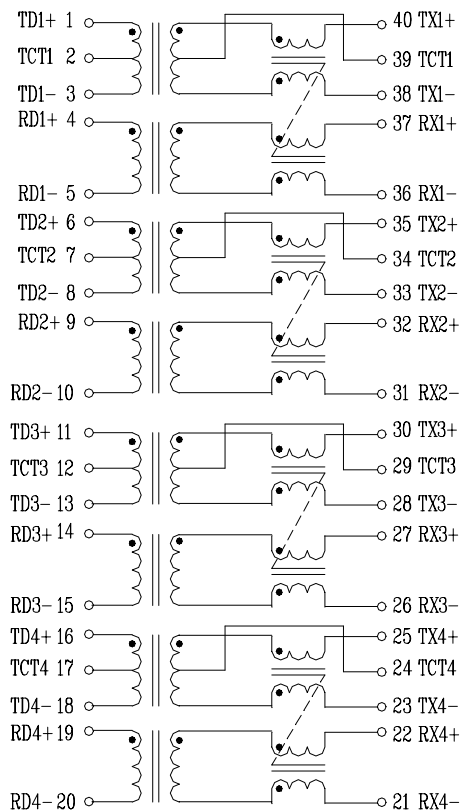


- Meets all IEEE802.3 standards.
- Quad, four-port designs provide excellent EMI and Common mode noise suppression.
- Operating temperature range : 0°C to +70°C.
- Storage temperature range: -25°C to +125°C.

Electrical Specifications @ 25°C						
Part Number	Turns Ratio (±5%)		OCL (uH Min) @ 100KHz/0.1V with 8mA/DC Bias	Cross talk (dB Min)		HI-POT (Vrms)
	TX	RX		0.3-60MHz	60-100MHz	
40ST1045	1.23CT:1CT	1:1	350	-40	-35	1500

Continue							
Part Number	Insertion Loss (dB Max)	Return Loss (dB Min)			DCMR (dB Min)		
	0.3-100MHz	0.3-30MHz	30-60MHz	60-80MHz	60MHz	100MHz	200MHz
40ST1045	-1.15	-16	-12	-10	-37	-28	-25

Schematic



Mechanical

