

PE4126

High Linearity Quad MOSFET Mixer for DCS 1800 BTS

Features

- Integrated, single-ended RF & LO interfaces
- High linearity: IIP3 of +32 dBm, 1700 - 1800 MHz (+17 dBm LO)
- Low conversion loss: 7.9 dB (+17 dBm LO)
- High Isolation: typical LO-IF at 37 dB, LO-RF at 38 dB (1.8 GHz)
- Designed for low-side LO injection

Product Description

The PE4126 is a high linearity, passive Quad MOSFET Mixer for DCS 1800 Base Station Receivers exhibiting high dynamic range performance over a broad LO drive range up to 20 dBm. This mixer integrates passive matching networks to provide single-ended interfaces for the RF and LO ports, eliminating the need for external RF baluns or matching networks. The PE4126 is optimized for frequency down-conversion using low-side LO injection for DCS 1800 Base Station applications, and is also suitable for use in up-conversion applications.

The PE4126 is manufactured on Peregrine's UltraCMOS™ process, a patented variation of silicon-on-insulator (SOI) technology on a sapphire substrate, offering the performance of GaAs with the economy and integration of conventional CMOS.

Figure 1. Functional Diagram

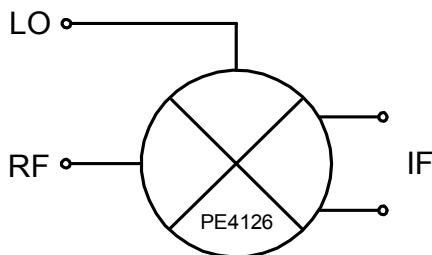


Figure 2. Package Type

8-lead TSSOP

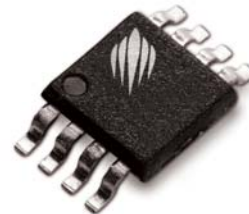


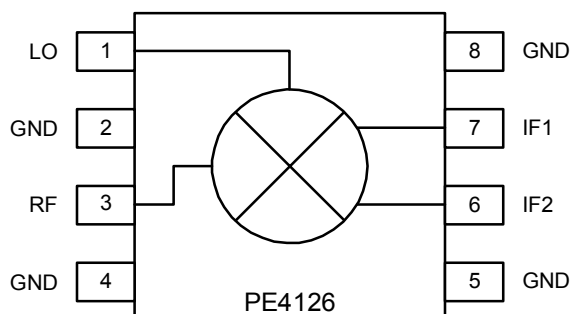
Table 1. AC and DC Electrical Specifications @ +25 °C ($Z_S = Z_L = 50 \Omega$)

| Parameter | Minimum | Typical | Maximum | Units |
|------------------------------|---------|---------|---------|-------|
| Frequency Range: | | | | |
| LO | 1450 | -- | 1550 | MHz |
| RF | 1700 | -- | 1800 | MHz |
| IF ¹ | -- | 250 | -- | MHz |
| Conversion Loss ² | | 7.9 | 8.3 | dB |
| Isolation: LO-RF | | | | |
| 1.7 GHz | 30 | 34 | | dB |
| 1.75 GHz | 32 | 36 | | dB |
| 1.8 GHz | 34 | 38 | | dB |
| LO-IF | 33 | 37 | | dB |
| Input IP3 | 30 | 32 | | dBm |
| Input 1 dB Compression | | 21 | | dBm |

Notes: 1. An IF frequency of 250 MHz is a nominal frequency. The IF frequency can be specified by the user as long as the RF and LO frequencies are within the specified maximum and minimum.

2. Conversion Loss includes loss of IF transformer (M/ACom ETK4-2T - nominal loss 0.7 dB at 250 MHz.)

*Test conditions unless otherwise noted: LO = 250 MHz, LO input drive = 17 dBm, RF input drive = 3 dBm.

Figure 3. Pin Configuration (Top View)

Table 2. Pin Descriptions

| Pin No. | Pin Name | Description |
|---------|----------|--|
| 1 | LO | LO Input |
| 2 | GND | Ground connection for Mixer. Traces should be physically short and connect immediately to ground plane for best performance. |
| 3 | RF | RF Input |
| 4 | GND | Ground. |
| 5 | GND | Ground. |
| 6 | IF2 | IF differential output |
| 7 | IF1 | IF differential output |
| 8 | GND | Ground. |

Table 3. Absolute Maximum Ratings

| Symbol | Parameter/Conditions | Min | Max | Units |
|-----------|-----------------------------|-----|-----|-------|
| T_{ST} | Storage temperature range | -65 | 150 | °C |
| T_{OP} | Operating temperature range | -40 | 85 | °C |
| P_{LO} | LO input power | | 20 | dBm |
| P_{RF} | RF input power | | 16 | dBm |
| V_{ESD} | ESD Sensitive Device | | 250 | V |

Absolute Maximum Ratings are those values listed in the above table. Exceeding these values may cause permanent device damage. Functional operation should be restricted to the limits in the DC Electrical Specifications table. Exposure to absolute maximum ratings for extended periods may affect device reliability.

Electrostatic Discharge (ESD) Precautions

When handling this UltraCMOS™ device, observe the same precautions that you would use with other ESD-sensitive devices. Although this device contains circuitry to protect it from damage due to ESD, precautions should be taken to avoid exceeding the rating specified.

Latch-Up Avoidance

Unlike conventional CMOS devices, UltraCMOS™ devices are immune to latch-up.

Evaluation Kit

Figure 4. Evaluation Board Layout
Peregrine Specification 101/0054

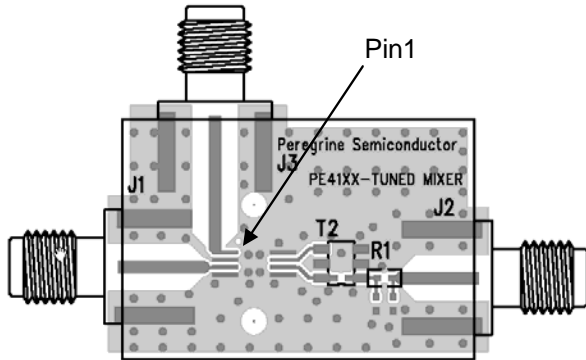


Table 4. Bill of Materials

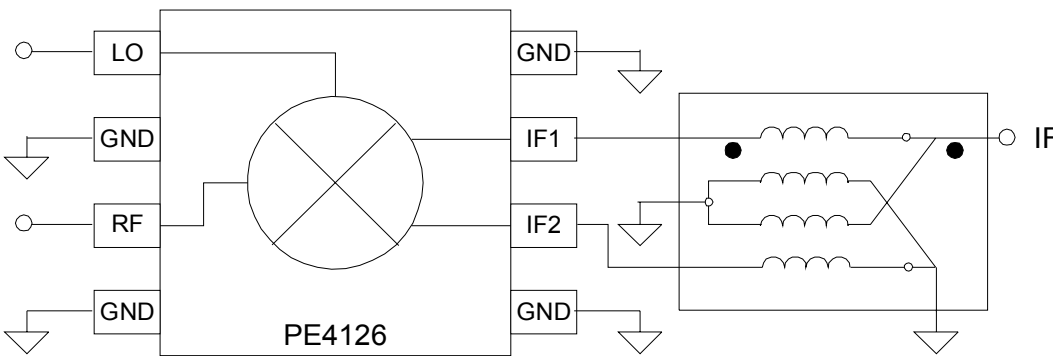
| Reference | Value / Description |
|------------------|---------------------|
| T2 | M/A Com ETK4-2T |
| U1 (Not Labeled) | PE4126 Mixer |
| R1 | 0Ω |
| J1, J2, J3 | SMA Connector |

Applications Support

If you have a problem with your evaluation kit or if you have applications questions, please contact applications support:

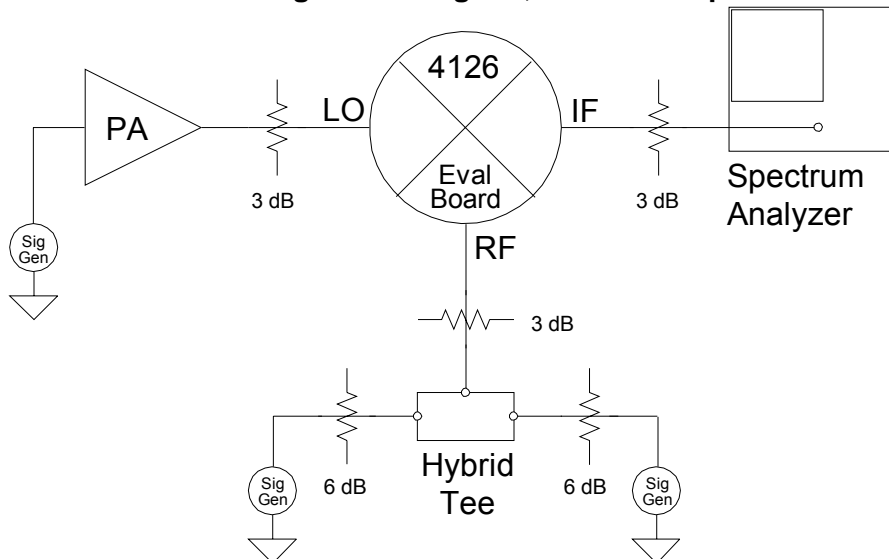
E-Mail: help@psemi.com (fastest response)
Phone: (858) 731-9400

Figure 5. Evaluation Board Schematic Diagram



T2 M/A-Com E-Series RF 4:1 Transformer 2.0 – 1000 MHz ETK4-2T

Figure 6. Evaluation Board Testing Block Diagram, 2-Tone Setup



Typical Performance Data (LO=17 dBm, RF=3 dBm, IF=250 MHz)

Figure 7. Conversion Loss vs. Frequency

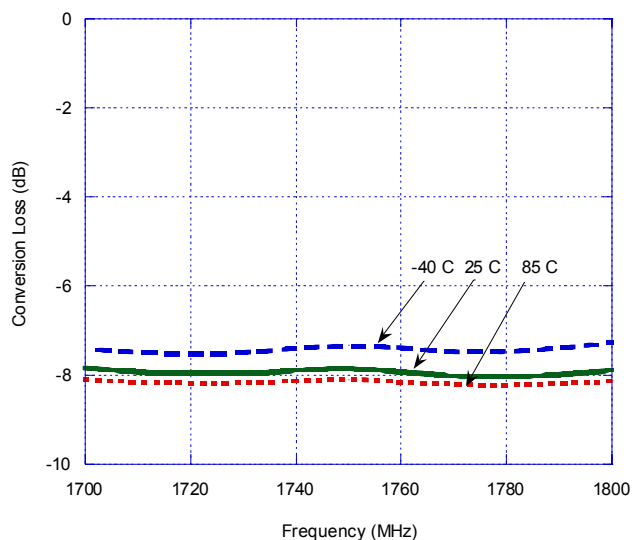


Figure 8. Input 1dB Compression vs. Frequency

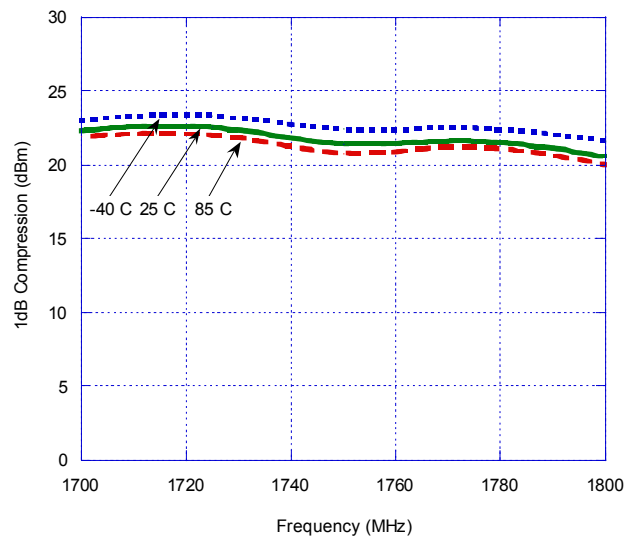


Figure 9. Input IP3 vs. Frequency

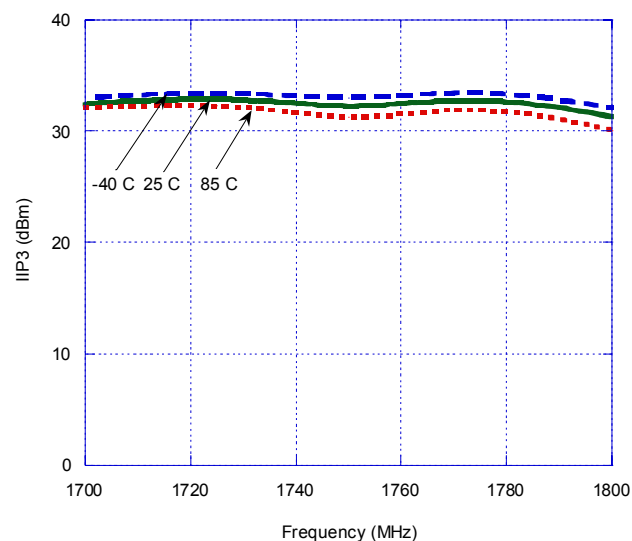
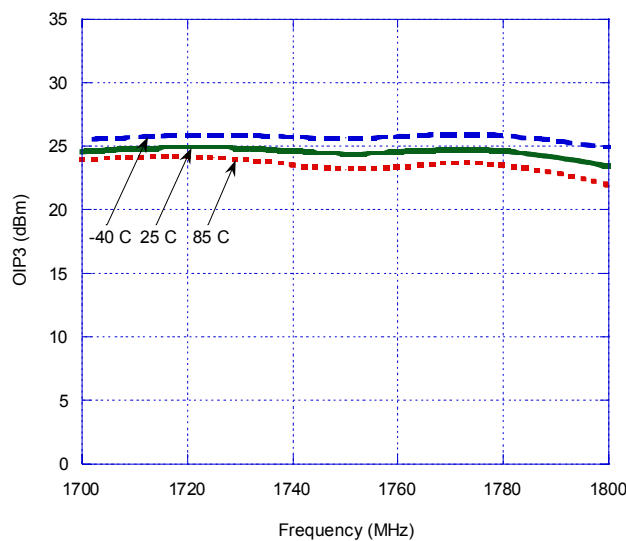


Figure 10. Output IP3 vs. Frequency



Typical Performance Data (LO=17 dBm, RF=3 dBm, IF=250 MHz)

Figure 11. LO-IF Isolation vs. Frequency

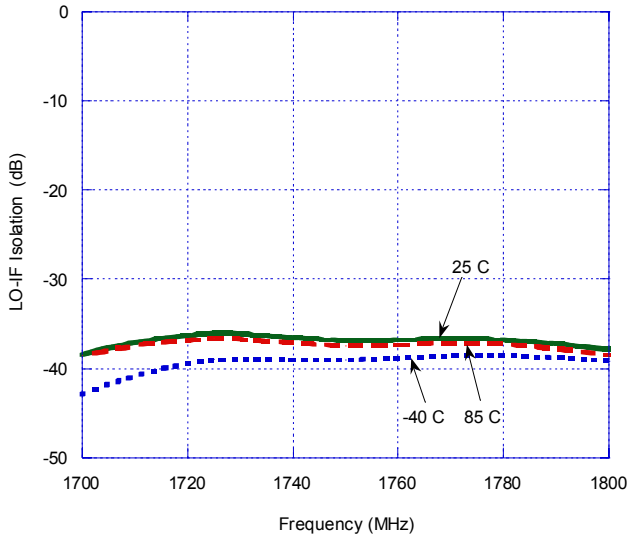


Figure 12. LO-RF Isolation vs. Frequency

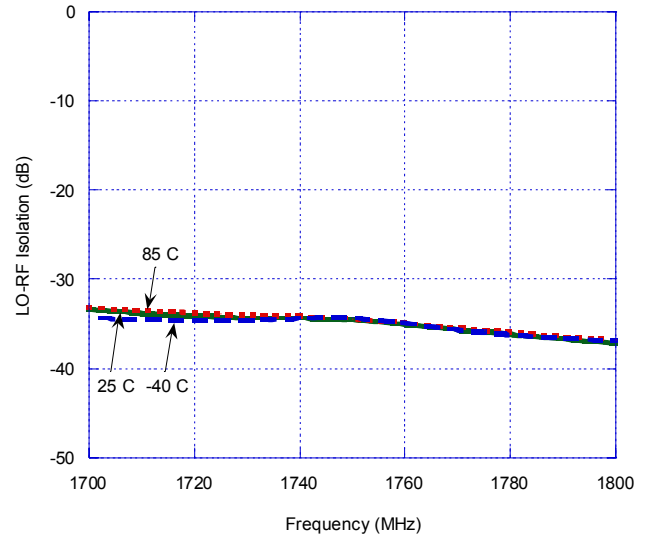


Figure 13. LO Port Return Loss @ 25°C

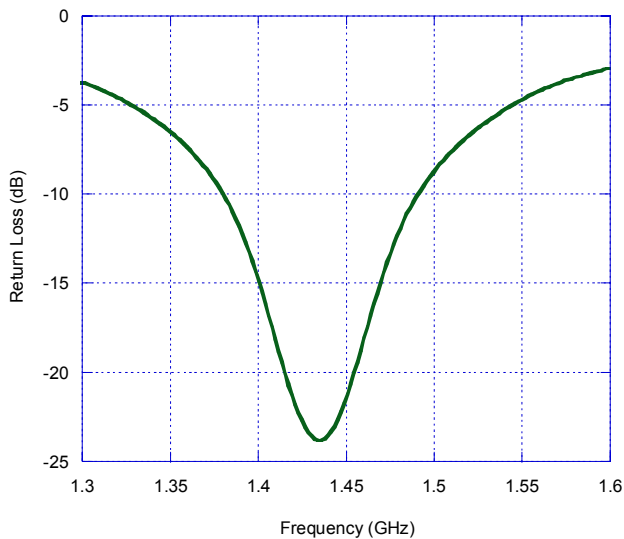
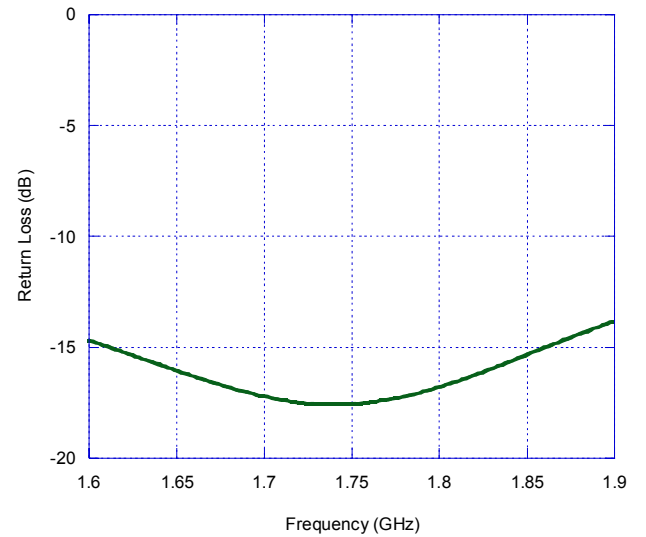


Figure 14. RF Port Return Loss @ 25°C



Typical Performance Data @ +25 °C (RF=3 dBm, IF=250 MHz)

Figure 15. Conversion Loss across LO Power

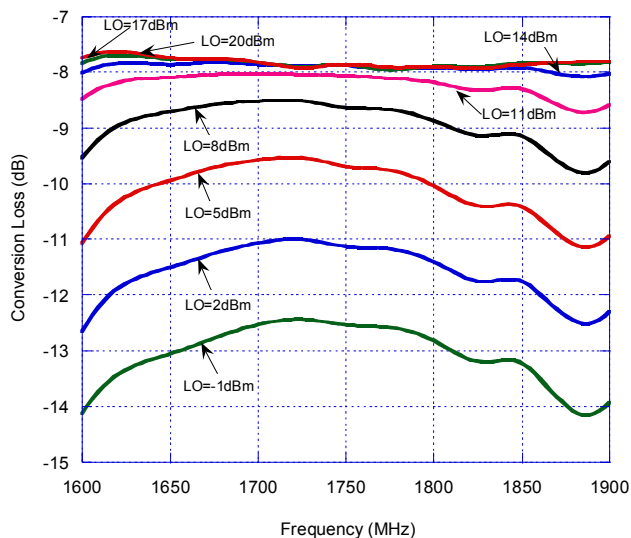


Figure 16. Input IP3 across LO Power

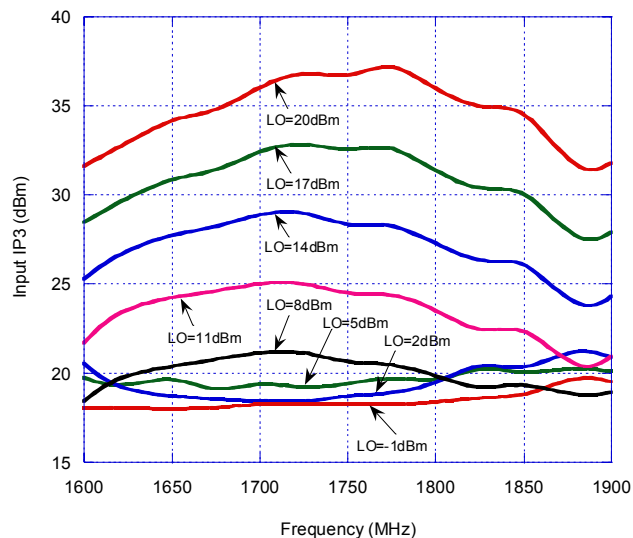


Table 5. Spurious Response

| mF _{RF} | mF _{RF} + nF _{LO} | | | | |
|------------------|-------------------------------------|--------|--------|--------|--------|
| | nF _{LO} | | | | |
| | 0 | 1 | 2 | 3 | 4 |
| 0 | --- | -17.62 | -13.47 | -12.86 | -16.16 |
| 1 | -29.09 | -4.35 | -35.01 | -31.89 | -49.06 |
| 2 | -46.87 | -44.86 | -49.17 | -54.75 | -52.99 |
| 3 | -65.13 | -72.52 | -72.12 | -75.79 | -68.53 |
| 4 | -66.25 | -61.24 | -63.63 | -62.69 | -66.03 |

Normalized to dB below P_{1F}
(RF=1750 Mhz @ 0 dBm, LO=1500 MHz @ 17 dBm)

Table 6. Spurious Response

| mF _{RF} | mF _{RF} - nF _{LO} | | | | |
|------------------|-------------------------------------|--------|--------|--------|--------|
| | nF _{LO} | | | | |
| | 0 | 1 | 2 | 3 | 4 |
| 0 | --- | -17.62 | -13.47 | -12.86 | -16.16 |
| 1 | -29.09 | 0.00 | -34.93 | -15.17 | -31.41 |
| 2 | -46.87 | -47.53 | -53.02 | -51.81 | -55.21 |
| 3 | -65.13 | -59.49 | -57.17 | -56.88 | -56.95 |
| 4 | -66.25 | -51.40 | -48.87 | -54.82 | -51.80 |

Normalized to dB below P_{1F}
(RF=1750 Mhz @ 0 dBm, LO=1500 MHz @ 17 dBm)

Figure 17. Package Drawing

8-lead TSSOP

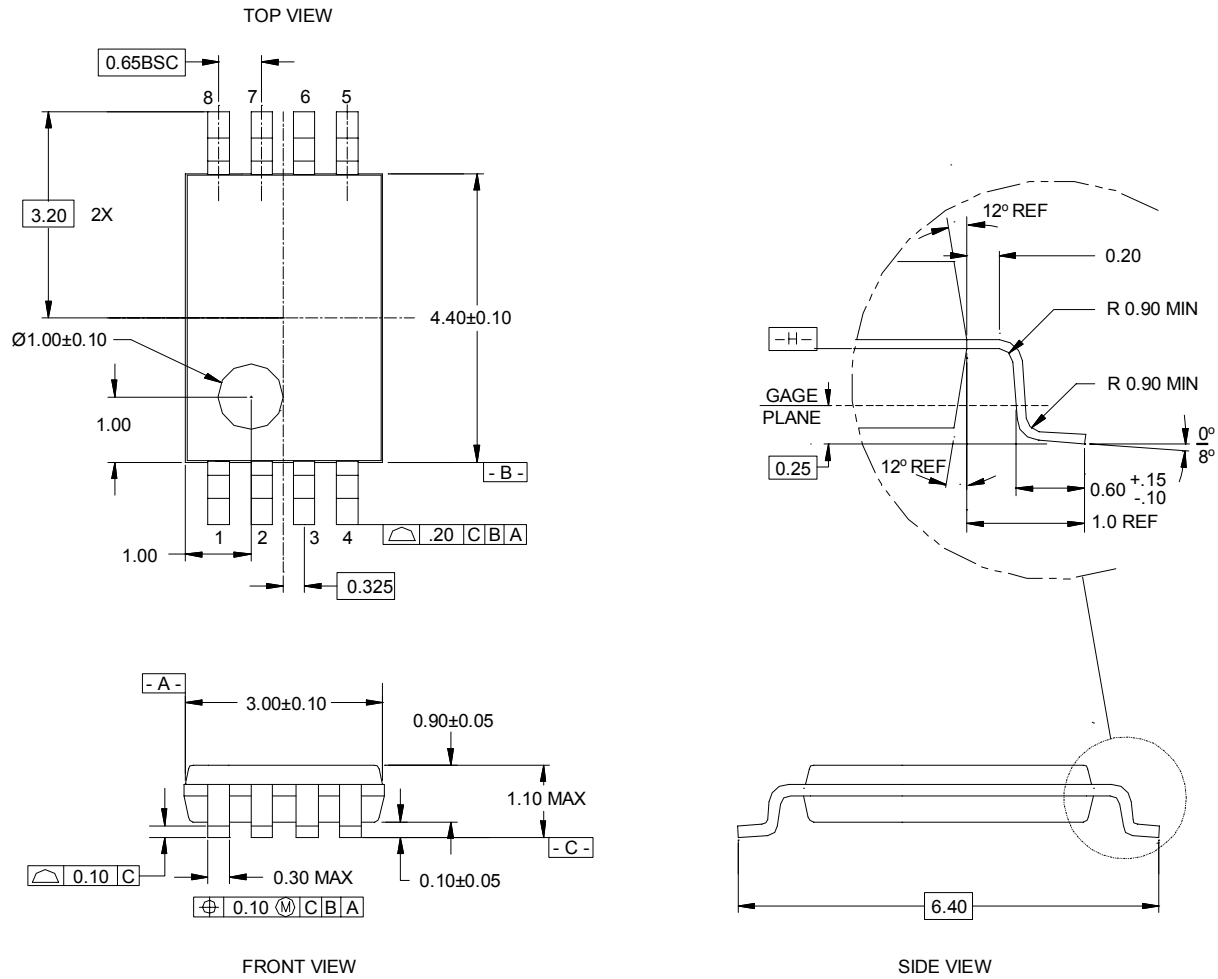


Table 7. Ordering Information

| Order Code | Part Marking | Description | Package | Shipping Method |
|------------|--------------|----------------------|------------------|------------------|
| 4126-21 | 4126 | PE4126-08TSSOP-100A | 8-lead TSSOP | 100 units / Tube |
| 4126-22 | 4126 | PE4126-08TSSOP-2000C | 8-lead TSSOP | 2000 units / T&R |
| 4126-00 | PE4126-EK | PE4126-08TSSOP-EK | Evaluation Board | 1 / Box |

Sales Offices

The Americas

Peregrine Semiconductor Corporation

9450 Carroll Park Drive
San Diego, CA 92121
Tel 858-731-9400
Fax 858-731-9499

Europe

Peregrine Semiconductor Europe

Bâtiment Maine
13-15 rue des Quatre Vents
F- 92380 Garches, France
Tel: +33-1-47-41-91-73
Fax : +33-1-47-41-91-73

Space and Defense Products

Americas:

Tel: 505-881-0438
Fax: 505-881-0443

Europe, Asia Pacific:

180 Rue Jean de Guiramand
13852 Aix-En-Provence cedex 3, France
Tel: +33(0) 4 4239 3361
Fax: +33(0) 4 4239 7227

North Asia Pacific

Peregrine Semiconductor K.K.

5A-5, 5F Imperial Tower
1-1-1 Uchisaiwaicho, Chiyoda-ku
Tokyo 100-0011 Japan
Tel: +81-3-3502-5211
Fax: +81-3-3502-5213

Peregrine Semiconductor, Korea

#B-2402, Kolon Tripolis, #210
Geumgok-dong, Bundang-gu, Seongnam-si
Gyeonggi-do, 463-480 S. Korea
Tel: +82-31-728-4300
Fax: +82-31-728-4305

South Asia Pacific

Peregrine Semiconductor, China

Shanghai, 200040, P.R. China
Tel: +86-21-5836-8276
Fax: +86-21-5836-7652

For a list of representatives in your area, please refer to our Web site at: www.psemi.com

Data Sheet Identification

Advance Information

The product is in a formative or design stage. The data sheet contains design target specifications for product development. Specifications and features may change in any manner without notice.

Preliminary Specification

The data sheet contains preliminary data. Additional data may be added at a later date. Peregrine reserves the right to change specifications at any time without notice in order to supply the best possible product.

Product Specification

The data sheet contains final data. In the event Peregrine decides to change the specifications, Peregrine will notify customers of the intended changes by issuing a DCN (Document Change Notice).

The information in this data sheet is believed to be reliable. However, Peregrine assumes no liability for the use of this information. Use shall be entirely at the user's own risk.

No patent rights or licenses to any circuits described in this data sheet are implied or granted to any third party.

Peregrine's products are not designed or intended for use in devices or systems intended for surgical implant, or in other applications intended to support or sustain life, or in any application in which the failure of the Peregrine product could create a situation in which personal injury or death might occur. Peregrine assumes no liability for damages, including consequential or incidental damages, arising out of the use of its products in such applications.

The Peregrine name, logo, and UTSi are registered trademarks and UltraCMOS and HaRP are trademarks of Peregrine Semiconductor Corp.