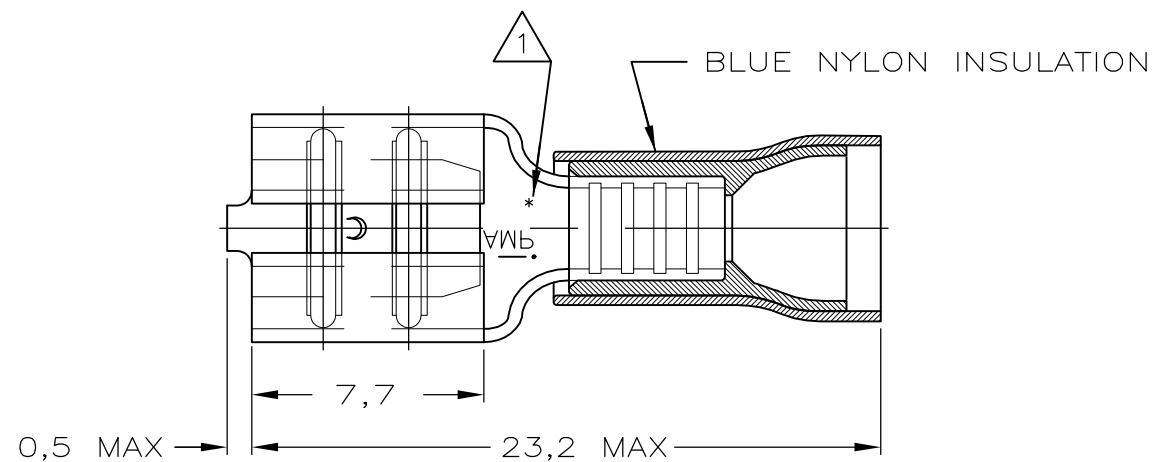
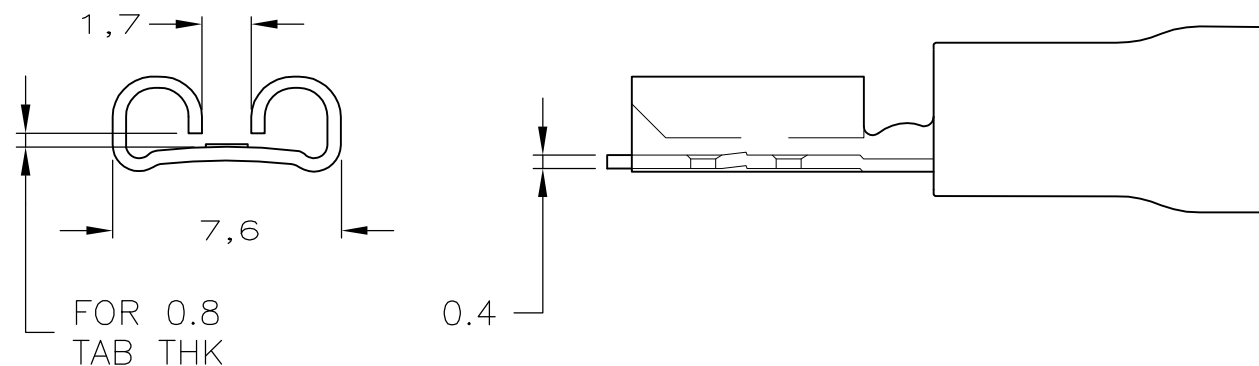


| | | | | | | | |
|-----|------|-----------|-----|-----------------------|---------|-----|------|
| LOC | DIST | REVISIONS | | | | | |
| G | 86 | P | LTR | DESCRIPTION | DATE | DWN | APVD |
| | | | H2 | REV PER ECR 08-028310 | 10NOV08 | JR | TM |



NOTES

- 1 ASTERISK * FOR PH.BRONZE VERSIONS ONLY.
- 2 WIRE RANGE: 1,0-2,6mm². INSUL. RANGE: 4,3mm MAX. DIA..
- 3 OBSOLETE WITHOUT REPLACEMENT



| | | | | | |
|--------------|--------------|--------------|-----------------------|-----------------------|---|
| TAPE MOUNTED | 1 | GOLDPLATED | PH.BRONZE | 5-160313-7 | 3 |
| | 1 | SILVERPLATED | PH.BRONZE | 5-160313-6 | 3 |
| | 1 | TINPLATED | PH.BRONZE | 5-160313-5 | |
| LOOSE PIECE | | GOLDPLATED | BRASS | 5-160313-4 | 3 |
| | | SILVERPLATED | BRASS | 5-160313-3 | 3 |
| | | TINPLATED | BRASS | 5-160313-2 | |
| | 1 | TIN-LEAD | PH.BRONZE | 9-160313-8 | 3 |
| | 1 | GOLDPLATED | PH.BRONZE | 9-160313-7 | 3 |
| | 1 | SILVERPLATED | PH.BRONZE | 9-160313-6 | |
| | 1 | TINPLATED | PH.BRONZE | 9-160313-5 | |
| | GOLDPLATED | BRASS | 9-160313-4 | 3 | |
| | SILVERPLATED | BRASS | 9-160313-3 | 3 | |
| | TINPLATED | BRASS | 9-160313-2 | | |
| PACKAGE TYPE | | FINISH | MATERIAL | PARTNUMBER | |

| | | | | | |
|--|--|------------------|---------------|-------------------|---|
| THIS DRAWING IS A CONTROLLED DOCUMENT. | | DWN | JR RUTH | 08OCT04 | Tyco Electronics Corporation Harrisburg, Pa 17105-3608 |
| DIMENSIONS: mm | | CHK | T MICHIELUTTI | 08OCT04 | |
| | | APVD | T MICHIELUTTI | 08OCT04 | |
| TOLERANCES UNLESS OTHERWISE SPECIFIED: | | PRODUCT SPEC | | NAME | |
| 0 PLC ± - | | - | | .250 SRS P.I.D.G. | |
| 1 PLC ± - | | - | | FASTON REC. | |
| 2 PLC ± 0.38 | | APPLICATION SPEC | | - | |
| 3 PLC ± - | | - | | SIZE | A3 |
| 4 PLC ± - | | WEIGHT | | CAGE CODE | 00779 |
| ANGLES ± - | | - | | DRAWING NO | C=160313 |
| FINISH | | - | | RESTRICTED TO | - |
| MATERIAL | | - | | CUSTOMER DRAWING | |
| - | | - | | SCALE | - |
| - | | - | | SHEET | 1 OF 1 |
| - | | - | | REV | H2 |