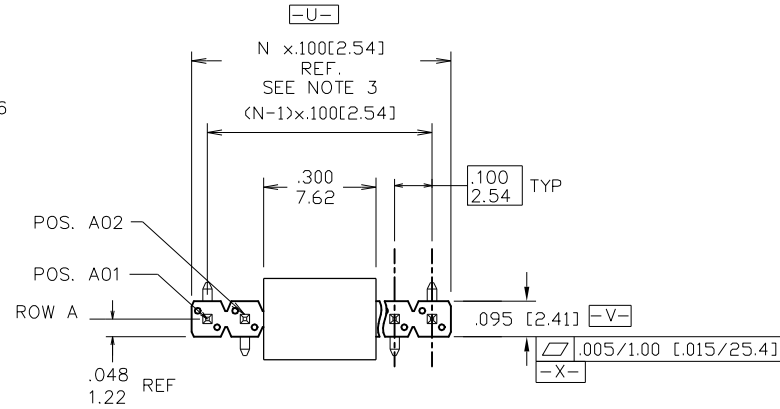


PRODUCT NUMBER  
54201 - X XX - XX - XXX

PLATING  
S=15μ"/0.38μm GOLD ON CONTACT AREA (NOTE 13) 100u"/2.54μm TIN ON TAIL  
G=30μ"/0.76μm GOLD ON CONTACT AREA (NOTE 13) 100u"/2.54μm TIN ON TAIL  
T=100μ"/2.54μm TIN ON CONTACT AREA & ON TAIL (SEE NOTE 8 & 12)  
F=2μ"/0.05μm] GOLD ON CONTACT AREA & ON TAIL

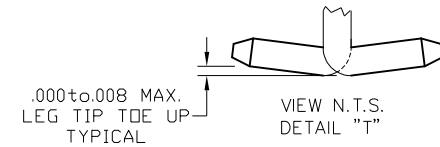
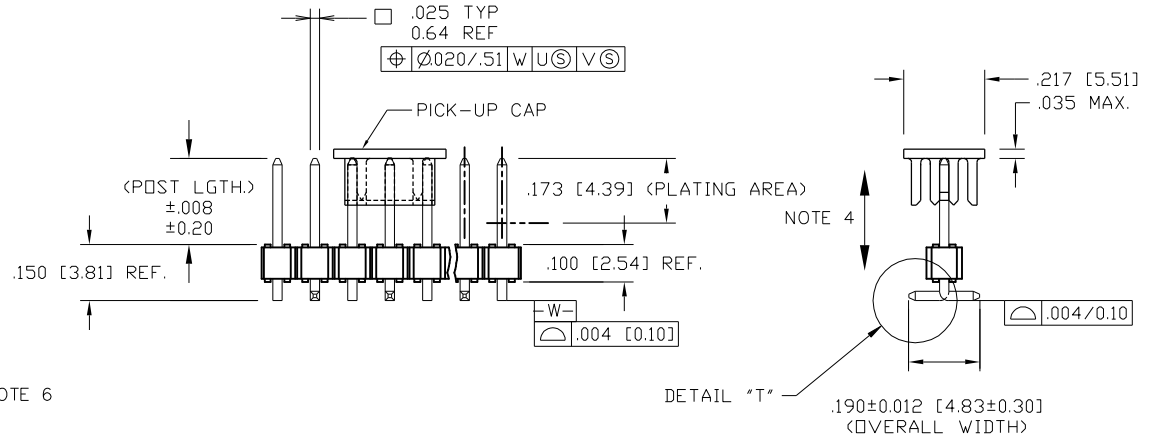
LEAD STYLE	POST LGTH.
08	0.230/5.84
30	0.318/8.08



LEAD FREE PRODUCT NUMBER  
54201 - X XX XX - XXX LF

PLATING  
S=15μ"/0.38μm GOLD ON CONTACT AREA (NOTE 13) 100u"/2.54μm TIN ON TAIL  
G=30μ"/0.76μm GOLD ON CONTACT AREA (NOTE 13) 100u"/2.54μm TIN ON TAIL  
T=100μ"/2.54μm TIN ON CONTACT AREA & ON TAIL (SEE NOTE 8 & 12)  
F=2μ"/0.05μm] GOLD ON CONTACT AREA & ON TAIL

LEAD STYLE	POST LGTH.
08	0.230/5.84
30	0.318/8.08



Amphenol FCI

© 2016 AFCI

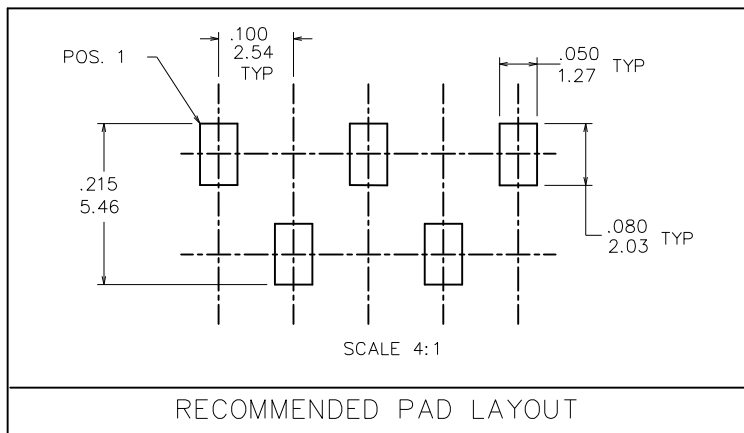
mat'l. code		surface ISO 1302 ✓		tolerance ISO 406 ISO 1101		projection INCH/MM		product family BERGSTIK		
ltr	ecn no	dr	date	tolerances unless otherwise specified				title		
R	M08-0279	MHT	9/30/08	angles	linear	xxx±01/xxx±03	.100 UNSHROUDED HDR.			
S	ELX-N-14294	DCS	2013-03-19			xxx±.005/xxx±0.13	S/R VERT. SURF. MNT.			
T	ELX-N-26942	MZ	2017-05-09			xxxx±.0020/xxx±0.05	scale 1:1			
		dr	D.INGRAM	05/11/99			dwg no		sheet 1 of 3	size
		enr	H.SUNDY	07/21/99			54201		A3	
		chr	H.SUNDY	07/21/99			type Product Customer Drawing			
		appd	H.SUNDY	07/21/99						
sheet	revision	T	T	T						
index	sheet	1	1	1						

TAPE AND REEL PACKAGING

SIZE	LEAD STYLE 08 POST (0.230 [5.84])	LEAD STYLE 30 POST (0.318 [8.08])
1X2	YES	NONE
1X3		
1X4		
1X5		
1X6		
1X7		
1X8		
1X9		
1X10		
1X11		
1X12		
1X13		
1X14		
1X15		
1X16		
1X17	YES	
1X18	NONE	
1X19	NONE	
1X20	NONE	NONE

NOTES:

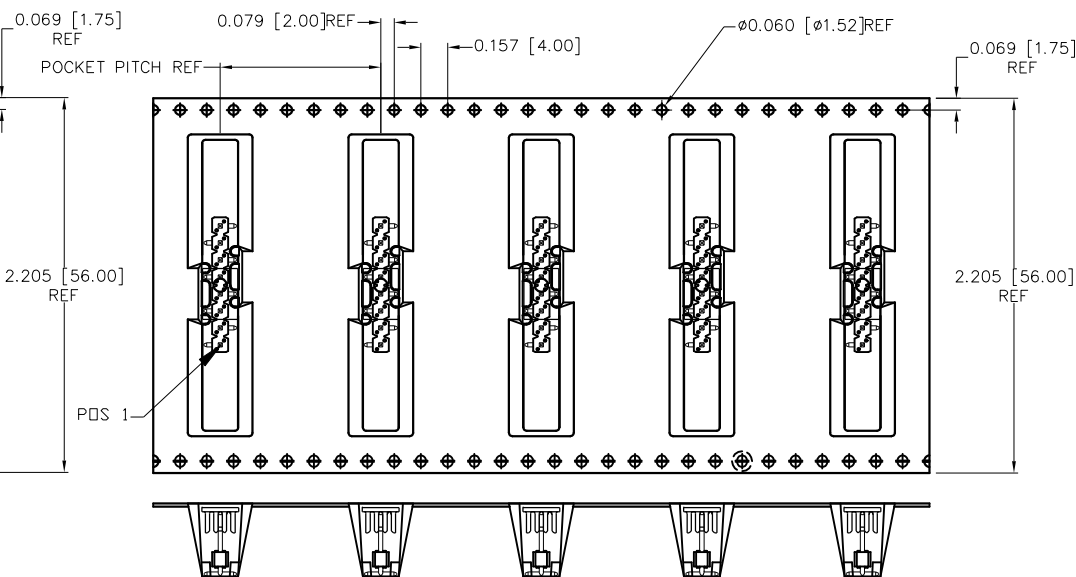
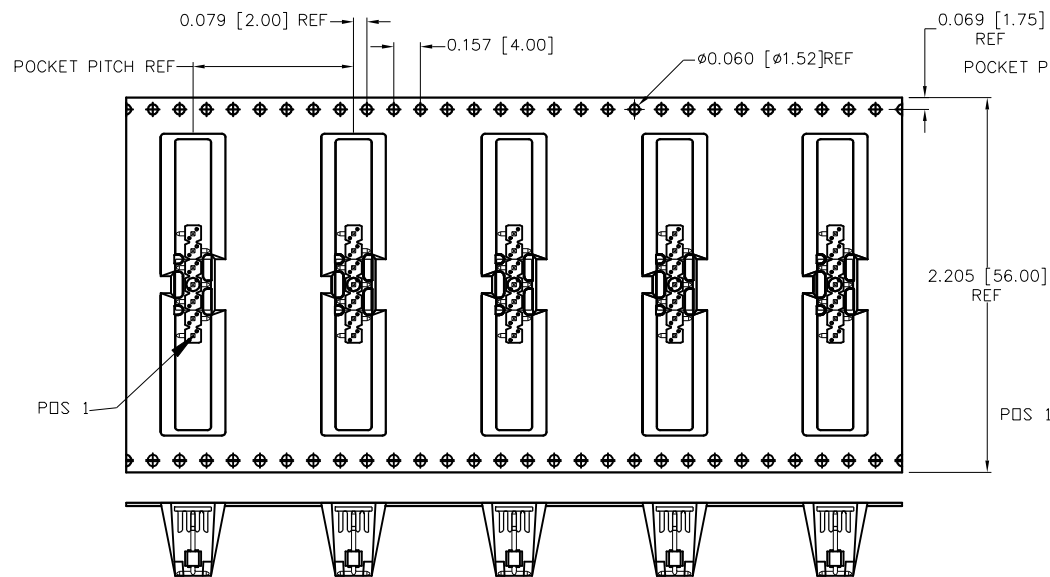
- HOUSING MAT'L: HIGH TEMPERATURE THERMOPLASTIC. UL94V-0  
COLOR: BLACK  
OR  
MINERAL FILLED LCP FLAME RETARDENT  
PER UL-94V-0. COLOR: BLACK.
- PIN MATERIAL: PHOSPHOR-BRONZE
- TO DETERMINE DIMENSIONS:  
N = NUMBER OF POSITIONS PER ROW.  
EXAMPLE: 10 POS., N x .100/2.54=1.00/25.4
- 2LBS/0.9KG MIN. PIN RETENTION IN EITHER DIRECTION.
- PACKAGING: - = POLY BAGS  
P = TUBES WITH PICKUP CAPS.  
A = TAPE AND REEL WITH PICKUP CAPS.  
S = TAPE AND REEL WITH PICKUP CAPS (24MM WIDTH CARRIE TAPE).
- FOR POLARIZATION, SPECIFY POSITION NUMBER (i.e. A03=ROW A POS. 3)  
TO OMIT PIN. IF THIS FEATURE IS NOT APPLICABLE, OMIT FROM PROD. NO..  
PRODUCT MANAGEMENT APPROVAL IS REQUIRED PRIOR TO THE  
RELEASE OR SALE OF POLARIZED PRODUCTS.
- UNDERPLATING: 50µ"/1.27µm Ni.
- PIN TIPS ON Sn PLATED PRODUCT MAY HAVE BARE METAL ON TOW SIDES,  
BOTH ENDS.
- PART NUMBERS WITH "LF" AT THE END ARE LEAD FREE.
- THIS PRODUCT MEETS EUROPEAN UNION DIRECTIVES AND OTHER  
COUNTRY REGULATION AS DESCRIBED IN GS-22-008.
- THE HOUSING WILL WITHSTAND EXPOSURE TO 260°C PEAK TEMPERATURE  
FOR 20 SECONDS IN A CONVECTION, INFRA-RED OR VAPOR PHASE REFLOW  
OVEN. SEE APPLICATION NOTES/PROCEDURES IF THEY ARE AVAILABLE.
- "THIS PRODUCT HAS 100% PURE TIN PLATING IN THE INTERFACE AND  
HAS NOT BEEN TESTED FOR WHISKER GROWTH IN ALL INTERCONNECT  
ENVIRONMENTS."
- PLATING OPTIONS:  
MAY BE EITHER GOLD OR GXT PLATED AT MANUFACTURER'S OPTION.



mat'l. code		surface ISO 1302 ✓		tolerance ISO 406 ISO 1101		projection INCH/MM		product family BERGSTIK	
ltr	ecn no	dr	date	tolerances unless otherwise specified		title			
T				angles	linear	.100 UNSHROUDED HDR. S/R VERT. SURF. MNT.			
				0°±2°		scale 1:1			
		dr	D.INGRAM	05/11/99		Amphenol FCI		dwg no	
		enr	H.SUNDY	07/21/99		54201		sheet 2 of 3	
		chr	H.SUNDY	07/21/99				size A3	
		appd	H.SUNDY	07/21/99				type Product Customer Drawing	
sheet	revision								
index	sheet								

CARRIER FOR ODD NUMBERS OF ROWS

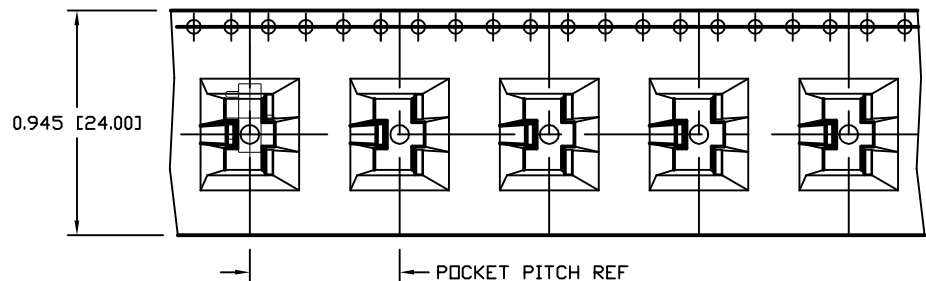
CARRIER FOR EVEN NUMBERS OF ROWS



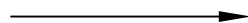
UN-REELING DIRECTION OF FEED



UN-REELING DIRECTION OF FEED



UN-REELING DIRECTION OF FEED



54201-\*\*\*\*SLF  
SPECIAL REQUEST OF CARRIER TAPE

mat'l. code		surface ISO 1302	tolerance ISO 406 ISO 1101	projection 	product family BERGSTIK		
ltr	ecn no	dr	date	tolerances unless otherwise specified	title		
T				.xxx±01/.xxx±03 .xxx±005/.xxx±013 .xxx±0020/.xxx±005	.100 UNSHROUDED HDR. S/R VERT. SURF. MNT.		
				angles linear 0°±2°	INCH/MM scale 1:1		
		dr	D.INGRAM	05/11/99	Amphenol FCI		
		enr	H.SUNDY	07/21/99			
		chr	H.SUNDY	07/21/99			
		appd	H.SUNDY	07/21/99	dwg no	sheet 3 of 3	size
					54201		A3
					type Product Customer Drawing		
sheet index	revision sheet						