

PLEASE CHECK WWW.MOLEX.COM FOR LATEST PART INFORMATION

Part Number: [0039303046](#)
Status: **Active**
Overview: [Mini-Fit Jr.™](#)
Description: 4.20mm (.165") Pitch Mini-Fit Jr.™ Header, Single Row, Right Angle, with Snap-in Plastic Peg PCB Lock, 4 Circuits, PA Polyamide Nylon 6/6, 94V-0, Tin (Sn) Plating

Documents:

[3D Model](#) [Product Specification PS-5556-001 \(PDF\)](#)
[Drawing \(PDF\)](#) [RoHS Certificate of Compliance \(PDF\)](#)

Agency Certification

| | |
|-----|-----------|
| CSA | LR19980 |
| TUV | R72081037 |
| UL | E29179 |

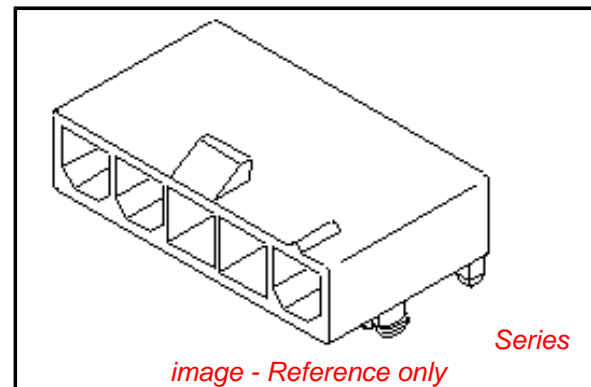
General

| | |
|----------------|--|
| Product Family | PCB Headers |
| Series | 5569 |
| Application | Wire-to-Board |
| Comments | Current = 13A max. per circuit when header is mated to a receptacle loaded with 45750 Mini-Fit Plus HCS™ Crimp Terminal Crimped to to 16 AWG wire. . See Molex Product specification PS-5556-001 for additional current de-rating information. |

| | |
|--------------|-------------------------------|
| Overview | Mini-Fit Jr.™ |
| Product Name | Mini-Fit Jr.™ |

Physical

| | |
|--------------------------------|-------------|
| Breakaway | No |
| Circuits (Loaded) | 4 |
| Circuits (maximum) | 4 |
| Circuits Detail | 4 |
| Color - Resin | Natural |
| Durability (mating cycles max) | 30 |
| First Mate / Last Break | No |
| Flammability | 94V-0 |
| Glow-Wire Compliant | No |
| Guide to Mating Part | No |
| Keying to Mating Part | None |
| Lock to Mating Part | Yes |
| Material - Metal | Brass |
| Material - Plating Mating | Tin |
| Material - Plating Termination | Tin |
| Material - Resin | Nylon |
| Number of Rows | 1 |
| Orientation | Right Angle |
| PCB Locator | Yes |
| PCB Retention | Yes |
| PCB Thickness Recommended (in) | 0.070 In |
| PCB Thickness Recommended (mm) | 1.78 mm |
| Packaging Type | Bag |
| Pitch - Mating Interface (in) | 0.165 In |
| Pitch - Mating Interface (mm) | 4.20 mm |
| Pitch - Term. Interface (in) | 0.165 In |
| Pitch - Term. Interface (mm) | 4.20 mm |
| Plating min: Mating (µin) | 200 |



EU RoHS

ELV and RoHS Compliant
REACH SVHC
 Not Reviewed
Halogen-Free Status

China RoHS



Halogen-Free

Need more information on product environmental compliance?

Email productcompliance@molex.com
 For a multiple part number RoHS Certificate of Compliance, [click here](#)

Please visit the [Contact Us](#) section for any non-product compliance questions.

Search Parts in this Series

[5569Series](#)

Mates With

[39-01-4041 Receptacle](#)

| | |
|--------------------------------|-----------------|
| Plating min: Mating (µm) | 5.08 |
| Plating min: Termination (µin) | 200 |
| Plating min: Termination (µm) | 5.08 |
| Polarized to Mating Part | Yes |
| Polarized to PCB | Yes |
| Shrouded | Fully |
| Stackable | No |
| Surface Mount Compatible (SMC) | No |
| Temperature Range - Operating | -40°C to +105°C |
| Termination Interface: Style | Through Hole |

Electrical

| | |
|-------------------------------|------|
| Current - Maximum per Contact | 13A |
| Voltage - Maximum | 600V |

Solder Process Data

| | |
|--|------------------------|
| Duration at Max. Process Temperature (seconds) | 5 |
| Lead-free Process Capability | Wave Capable (TH only) |
| Max. Cycles at Max. Process Temperature | 1 |
| Process Temperature max. C | 240 |

Material Info

| | |
|-----------------|---------------|
| Old Part Number | 5569-04A4-210 |
|-----------------|---------------|

Reference - Drawing Numbers

| | |
|-------------------------|--------------|
| Packaging Specification | PK-5569-002 |
| Product Specification | PS-5556-001 |
| Sales Drawing | SDA-5569-NL* |
| Test Summary | TS-5556-002 |

This document was generated on 05/11/2010

PLEASE CHECK WWW.MOLEX.COM FOR LATEST PART INFORMATION

| CKT SIZE | DIM A | DIM B | DIM C | DIM D |
|----------|------------------|------------------|------------------|------------------|
| 4 | .496 (12.60) | .709 (18.00) | .850 (21.60) | 1.102 (28.00) |
| 5 | .661 (16.80) | .874 (22.20) | 1.016 (25.80) | 1.268 (32.20) |
| 6 | .827 (21.00) | 1.039 (26.40) | 1.181 (30.00) | 1.433 (36.40) |
| 7 | .992 (25.20) | 1.205 (30.60) | 1.346 (34.20) | 1.598 (40.60) |
| 8 | 1.157 (29.40) | 1.370 (34.80) | 1.512 (38.40) | 1.764 (44.80) |
| 9 | 1.323 (33.60) | 1.535 (39.00) | 1.677 (42.60) | 1.929 (49.00) |
| 10 | 1.488 (37.80) | 1.701 (43.20) | 1.843 (46.80) | 2.094 (53.20) |
| 11 | 1.654 (42.00) | 1.866 (47.40) | 2.008 (51.00) | 2.260 (57.40) |
| 12 | 1.819 (46.20) | 2.031 (51.60) | 2.173 (55.20) | 2.425 (61.60) |

NOTES:

1) HOUSING MATERIAL:

BLANK = NYLON 6/6, U.L. 94V-2, COLOR: NATURAL.
 210 = NYLON 6/6, U.L. 94V-0, COLOR: NATURAL.
 BL = NYLON 6/6, U.L. 94V-2, COLOR: BLACK.
 400 = NYLON 6/6, U.L. 94V-0, COLOR: BLACK.

TERMINAL MATERIAL: BRASS, ALLOY 260.

2) TERMINAL PLATING:

BLANK - .000200/(.00508) MIN. TIN OVER
 .000100/(.00254) MIN. COPPER OVERALL.

G - .000030/(.00076) MIN. GOLD OVER
 .000050/(.00127) MIN. NICKEL OVERALL.

GS - .000030/(.00076) MIN. SELECT GOLD AND
 .000100/(.00127) MIN. SELECT MATTE TIN OVER
 .000050/(.00127) MIN NICKEL OVERALL.

G2 - .000015/(.00038) MIN. GOLD OVER
 .000030/(.00076) MIN. NICKEL OVERALL.

GS2 - .00015/(.00038) MIN. SELECT GOLD AND
 .000100/(.00254) MIN. SELECT MATTE TIN OVER
 .000050/(.00127) MIN. NICKEL OVERALL.

G3 - .000050/(.00127) MIN. GOLD OVER
 .000050/(.00127) MIN. NICKEL OVERALL.

S - .000100/(.00254) MIN. BRIGHT TIN OVER
 .000050/(.00127) MIN. NICKEL OVERALL.

GS - .000030/(.00076) MIN. SELECT GOLD,
 .000100/(.00254) MIN SELECT MATTE TIN
 OVER .000050/(.00127) MIN. NICKEL OVERALL.

RM - .000060/(.00152) MIN REFLOWED MATTE TIN
 OVER .000050/(.00127) MIN. NICKEL OVERALL.

3) PRODUCT SPECIFICATION: PS-5556-001

4) PACKAGING SPECIFICATION : BULK PACK PER PK-5569-002

5) PART MATES WITH MOLEX RECEPTACLE #5557.

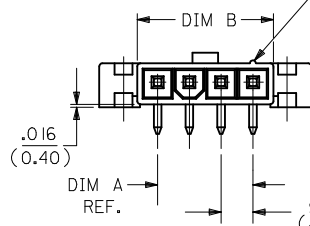
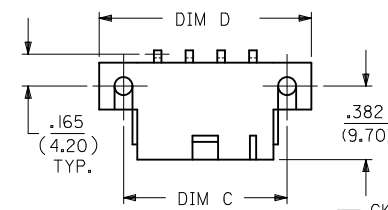
6) PART IS DESIGNED FOR USE WITH 4 - 40 OR M3 SCREWS.

7) DISCOLORATION IN THE BANDOLIER CARRIER AREA OF THE PIN IS INHERENT TO THE PLATING PROCESS AND IS DUE TO THE MASKING EFFECT OF THE CARRIER. THIS DISCOLORATION IS IN A NON-FUNCTIONAL AREA OF THE PIN AND WILL NOT AFFECT THE PERFORMANCE OF THE HEADER ASSEMBLY.

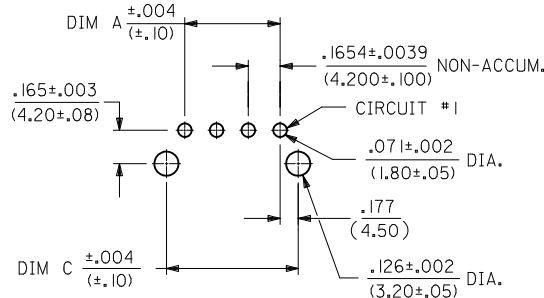
8) CONNECTORS ARE NOT TO BE MATED OR UNMATED WHILE CIRCUIT ARE LIVE.

9) PARTS NOT DESIGNED FOR CURRENT SHARING.

10) PART CONFORMS TO CLASS "B" REQUIREMENTS OF COSMETIC SPECIFICATION PS-45499-002.



RIGHT ANGLE HEADER
(SCREW MOUNT)



RECOMMENDED HOLE LAYOUT FOR
.070/(.178) MAX. THICK P.C. BOARD
VIEWED FROM COMPONENT SIDE

LEGEND:

CKT. SIZE

(04-12)

ASSEMBLY

MOUNTING & LOCK OPTION:

3 = SCREW MOUNT, POSITIVE LOCK

4 = PEG MOUNT, POSITIVE LOCK

5 = PEG MOUNT, PASSIVE LOCK

PLATING OPTION:

(SEE NOTE 2)

MATERIAL OPTION:

(SEE NOTE 1)

5569 - ** A * - *

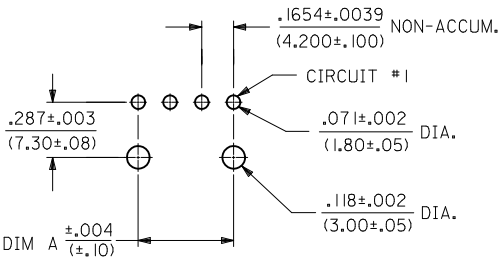
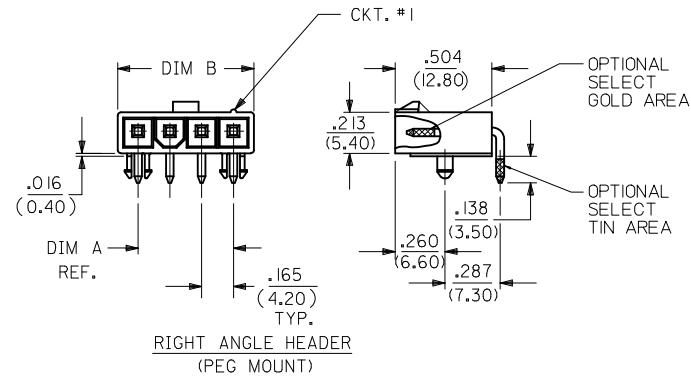
| | |
|----------------------------|-----------------|
| ADDED RM OPTION | QUALITY SYMBOLS |
| EC NO: UCP2010-2882 | ▽=0 |
| DRWNG: JAGUILAR 2010/05/13 | ▽=0 |
| CHKD: JIBELL 2010/05/17 | ▽=0 |
| APPR: FSMITH 2010/05/26 | |
| DESCRIPTION | |
| P5 | REV |

GENERAL TOLERANCES
(UNLESS SPECIFIED)

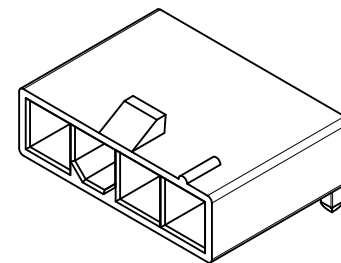
| | mm | INCH |
|--------------|-----|-------|
| 4 PLACES ± | --- | ±--- |
| 3 PLACES ± | --- | ±.015 |
| 2 PLACES ± | --- | ±--- |
| 1 PLACE ± | --- | ±--- |
| ANGULAR ± 3° | | |

DRAFT WHERE APPLICABLE
MUST REMAIN
WITHIN DIMENSIONS

| | | | | | | | |
|--------------------------|---------|---|--|------------------------|--|------------------------|--|
| DIMENSION STYLE IN/MM | | SCALE 2:1 | | DESIGN UNITS METRIC | | THIRD ANGLE PROJECTION | |
| DRAWN BY | DATE | TITLE | | | | | |
| KSS | 2/14/89 | RIGHT ANGLE HEADER ASSY (SINGLE ROW) (MINI-FIT JR. SERIES) | | | | | |
| CHECKED BY | DATE | MOLEX INCORPORATED | | | | | |
| RJF | 2/14/89 | SDA-5569-NL* | | | | | |
| APPROVED BY | DATE | SHEET NO. | | | | | |
| RAS | 2/14/89 | 1 OF 4 | | | | | |
| MATERIAL NO. | | DOCUMENT NO. | | SIZE | | | |
| SEE CHARTS | | THIS DRAWING CONTAINS INFORMATION THAT IS PROPRIETARY TO MOLEX INCORPORATED AND SHOULD NOT BE USED WITHOUT WRITTEN PERMISSION | | C | | | |



RECOMMENDED HOLE LAYOUT FOR
.070/(.178) MAX. THICK P.C. BOARD
VIEWED FROM COMPONENT SIDE



| 13 | 12 | 11 | 10 | 9 | 8 | 7 | 6 | 5 | 4 | 3 | 2 | 1 | | |
|------------|------------|----------------|-----------------|-------------|----------------------|---------------------|------------|------------|-----------------|-----------------|-------------|----------------------|---------------------|-------|
| E.D.P. NO. | ENG. NO. | CKT. SIZE | MOUNTING OPTION | LOCK OPTION | PLATING (SEE NOTE 2) | MAT'L. (SEE NOTE 1) | E.D.P. NO. | ENG. NO. | CKT. SIZE | MOUNTING OPTION | LOCK OPTION | PLATING (SEE NOTE 2) | MAT'L. (SEE NOTE 1) | |
| J | 39-30-3041 | 5569-04A3 | 4 | SCREWS | POSITIVE | TIN/COPPER | 94V-2 | 39-30-3049 | 5569-04A4G2 | 4 | PEGS | POSITIVE | 15 GOLD | 94V-2 |
| | 39-30-3051 | 5569-05A3 | 5 | SCREWS | POSITIVE | TIN/COPPER | 94V-2 | 39-30-3059 | 5569-05A4G2 | 5 | PEGS | POSITIVE | 15 GOLD | 94V-2 |
| | 39-30-3061 | 5569-06A3 | 6 | SCREWS | POSITIVE | TIN/COPPER | 94V-2 | 39-30-3069 | 5569-06A4G2 | 6 | PEGS | POSITIVE | 15 GOLD | 94V-2 |
| | 39-30-3071 | 5569-07A3 | 7 | SCREWS | POSITIVE | TIN/COPPER | 94V-2 | 39-30-3079 | 5569-07A4G2 | 7 | PEGS | POSITIVE | 15 GOLD | 94V-2 |
| | 39-30-3081 | 5569-08A3 | 8 | SCREWS | POSITIVE | TIN/COPPER | 94V-2 | 39-30-3089 | 5569-08A4G2 | 8 | PEGS | POSITIVE | 15 GOLD | 94V-2 |
| | 39-30-3091 | 5569-09A3 | 9 | SCREWS | POSITIVE | TIN/COPPER | 94V-2 | 39-30-3099 | 5569-09A4G2 | 9 | PEGS | POSITIVE | 15 GOLD | 94V-2 |
| | 39-30-3101 | 5569-10A3 | 10 | SCREWS | POSITIVE | TIN/COPPER | 94V-2 | 39-30-3109 | 5569-10A4G2 | 10 | PEGS | POSITIVE | 15 GOLD | 94V-2 |
| I | 39-30-3111 | 5569-11A3 | 11 | SCREWS | POSITIVE | TIN/COPPER | 94V-2 | 39-30-3119 | 5569-11A4G2 | 11 | PEGS | POSITIVE | 15 GOLD | 94V-2 |
| | 39-30-3121 | 5569-12A3 | 12 | SCREWS | POSITIVE | TIN/COPPER | 94V-2 | 39-30-3129 | 5569-12A4G2 | 12 | PEGS | POSITIVE | 15 GOLD | 94V-2 |
| | 39-30-3042 | 5569-04A3-210 | 4 | SCREWS | POSITIVE | TIN/COPPER | 94V-0 | 39-30-4040 | 5569-04A4G2-210 | 4 | PEGS | POSITIVE | 15 GOLD | 94V-0 |
| | 39-30-3052 | 5569-05A3-210 | 5 | SCREWS | POSITIVE | TIN/COPPER | 94V-0 | 39-30-4050 | 5569-05A4G2-210 | 5 | PEGS | POSITIVE | 15 GOLD | 94V-0 |
| | 39-30-3062 | 5569-06A3-210 | 6 | SCREWS | POSITIVE | TIN/COPPER | 94V-0 | 39-30-4060 | 5569-06A4G2-210 | 6 | PEGS | POSITIVE | 15 GOLD | 94V-0 |
| | 39-30-3072 | 5569-07A3-210 | 7 | SCREWS | POSITIVE | TIN/COPPER | 94V-0 | 39-30-4070 | 5569-07A4G2-210 | 7 | PEGS | POSITIVE | 15 GOLD | 94V-0 |
| | 39-30-3082 | 5569-08A3-210 | 8 | SCREWS | POSITIVE | TIN/COPPER | 94V-0 | 39-30-4080 | 5569-08A4G2-210 | 8 | PEGS | POSITIVE | 15 GOLD | 94V-0 |
| H | 39-30-3092 | 5569-09A3-210 | 9 | SCREWS | POSITIVE | TIN/COPPER | 94V-0 | 39-30-4090 | 5569-09A4G2-210 | 9 | PEGS | POSITIVE | 15 GOLD | 94V-0 |
| | 39-30-3102 | 5569-10A3-210 | 10 | SCREWS | POSITIVE | TIN/COPPER | 94V-0 | 39-30-4100 | 5569-10A4G2-210 | 10 | PEGS | POSITIVE | 15 GOLD | 94V-0 |
| | 39-30-3112 | 5569-11A3-210 | 11 | SCREWS | POSITIVE | TIN/COPPER | 94V-0 | 39-30-4110 | 5569-11A4G2-210 | 11 | PEGS | POSITIVE | 15 GOLD | 94V-0 |
| | 39-30-3122 | 5569-12A3-210 | 12 | SCREWS | POSITIVE | TIN/COPPER | 94V-0 | 39-30-4120 | 5569-12A4G2-210 | 12 | PEGS | POSITIVE | 15 GOLD | 94V-0 |
| | 39-30-3045 | 5569-04A4 | 4 | PEGS | POSITIVE | TIN/COPPER | 94V-2 | 39-30-3043 | 5569-04A3G | 4 | SCREWS | POSITIVE | 30 GOLD | 94V-2 |
| | 39-30-3055 | 5569-05A4 | 5 | PEGS | POSITIVE | TIN/COPPER | 94V-2 | 39-30-3053 | 5569-05A3G | 5 | SCREWS | POSITIVE | 30 GOLD | 94V-2 |
| | 39-30-3065 | 5569-06A4 | 6 | PEGS | POSITIVE | TIN/COPPER | 94V-2 | 39-30-3063 | 5569-06A3G | 6 | SCREWS | POSITIVE | 30 GOLD | 94V-2 |
| G | 39-30-3075 | 5569-07A4 | 7 | PEGS | POSITIVE | TIN/COPPER | 94V-2 | 39-30-3073 | 5569-07A3G | 7 | SCREWS | POSITIVE | 30 GOLD | 94V-2 |
| | 39-30-3085 | 5569-08A4 | 8 | PEGS | POSITIVE | TIN/COPPER | 94V-2 | 39-30-3083 | 5569-08A3G | 8 | SCREWS | POSITIVE | 30 GOLD | 94V-2 |
| | 39-30-3095 | 5569-09A4 | 9 | PEGS | POSITIVE | TIN/COPPER | 94V-2 | 39-30-3093 | 5569-09A3G | 9 | SCREWS | POSITIVE | 30 GOLD | 94V-2 |
| | 39-30-3105 | 5569-10A4 | 10 | PEGS | POSITIVE | TIN/COPPER | 94V-2 | 39-30-3103 | 5569-10A3G | 10 | SCREWS | POSITIVE | 30 GOLD | 94V-2 |
| | 39-30-3115 | 5569-11A4 | 11 | PEGS | POSITIVE | TIN/COPPER | 94V-2 | 39-30-3113 | 5569-11A3G | 11 | SCREWS | POSITIVE | 30 GOLD | 94V-2 |
| | 39-30-3125 | 5569-12A4 | 12 | PEGS | POSITIVE | TIN/COPPER | 94V-2 | 39-30-3123 | 5569-12A3G | 12 | SCREWS | POSITIVE | 30 GOLD | 94V-2 |
| F | 39-30-3046 | 5569-04A4-210 | 4 | PEGS | POSITIVE | TIN/COPPER | 94V-0 | 39-30-7041 | 5569-04A4S | 4 | PEGS | POSITIVE | TIN/NICKEL | 94V-2 |
| | 39-30-3056 | 5569-05A4-210 | 5 | PEGS | POSITIVE | TIN/COPPER | 94V-0 | 39-30-7051 | 5569-05A4S | 5 | PEGS | POSITIVE | TIN/NICKEL | 94V-2 |
| | 39-30-3066 | 5569-06A4-210 | 6 | PEGS | POSITIVE | TIN/COPPER | 94V-0 | 39-30-7061 | 5569-06A4S | 6 | PEGS | POSITIVE | TIN/NICKEL | 94V-2 |
| | 39-30-3076 | 5569-07A4-210 | 7 | PEGS | POSITIVE | TIN/COPPER | 94V-0 | 39-30-7071 | 5569-07A4S | 7 | PEGS | POSITIVE | TIN/NICKEL | 94V-2 |
| | 39-30-3086 | 5569-08A4-210 | 8 | PEGS | POSITIVE | TIN/COPPER | 94V-0 | 39-30-7081 | 5569-08A4S | 8 | PEGS | POSITIVE | TIN/NICKEL | 94V-2 |
| | 39-30-3096 | 5569-09A4-210 | 9 | PEGS | POSITIVE | TIN/COPPER | 94V-0 | 39-30-7091 | 5569-09A4S | 9 | PEGS | POSITIVE | TIN/NICKEL | 94V-2 |
| | 39-30-3106 | 5569-10A4-210 | 10 | PEGS | POSITIVE | TIN/COPPER | 94V-0 | 39-30-7101 | 5569-10A4S | 10 | PEGS | POSITIVE | TIN/NICKEL | 94V-2 |
| E | 39-30-3116 | 5569-11A4-210 | 11 | PEGS | POSITIVE | TIN/COPPER | 94V-0 | 39-30-7111 | 5569-11A4S | 11 | PEGS | POSITIVE | TIN/NICKEL | 94V-2 |
| | 39-30-3126 | 5569-12A4-210 | 12 | PEGS | POSITIVE | TIN/COPPER | 94V-0 | 39-30-7121 | 5569-12A4S | 12 | PEGS | POSITIVE | TIN/NICKEL | 94V-2 |
| | 39-30-3047 | 5569-04A4G | 4 | PEGS | POSITIVE | 30 GOLD | 94V-2 | 39-30-7042 | 5569-04A4S-210 | 4 | PEGS | POSITIVE | TIN/NICKEL | 94V-0 |
| | 39-30-3057 | 5569-05A4G | 5 | PEGS | POSITIVE | 30 GOLD | 94V-2 | 39-30-7052 | 5569-05A4S-210 | 5 | PEGS | POSITIVE | TIN/NICKEL | 94V-0 |
| | 39-30-3067 | 5569-06A4G | 6 | PEGS | POSITIVE | 30 GOLD | 94V-2 | 39-30-7062 | 5569-06A4S-210 | 6 | PEGS | POSITIVE | TIN/NICKEL | 94V-0 |
| | 39-30-3077 | 5569-07A4G | 7 | PEGS | POSITIVE | 30 GOLD | 94V-2 | 39-30-7072 | 5569-07A4S-210 | 7 | PEGS | POSITIVE | TIN/NICKEL | 94V-0 |
| | 39-30-3087 | 5569-08A4G | 8 | PEGS | POSITIVE | 30 GOLD | 94V-2 | 39-30-7082 | 5569-08A4S-210 | 8 | PEGS | POSITIVE | TIN/NICKEL | 94V-0 |
| D | 39-30-3097 | 5569-09A4G | 9 | PEGS | POSITIVE | 30 GOLD | 94V-2 | 39-30-7092 | 5569-09A4S-210 | 9 | PEGS | POSITIVE | TIN/NICKEL | 94V-0 |
| | 39-30-3107 | 5569-10A4G | 10 | PEGS | POSITIVE | 30 GOLD | 94V-2 | 39-30-7102 | 5569-10A4S-210 | 10 | PEGS | POSITIVE | TIN/NICKEL | 94V-0 |
| | 39-30-3117 | 5569-11A4G | 11 | PEGS | POSITIVE | 30 GOLD | 94V-2 | 39-30-7112 | 5569-11A4S-210 | 11 | PEGS | POSITIVE | TIN/NICKEL | 94V-0 |
| | 39-30-3127 | 5569-12A4G | 12 | PEGS | POSITIVE | 30 GOLD | 94V-2 | 39-30-7122 | 5569-12A4S-210 | 12 | PEGS | POSITIVE | TIN/NICKEL | 94V-0 |
| | 39-30-3048 | 5569-04A4G-210 | 4 | PEGS | POSITIVE | 30 GOLD | 94V-0 | 50-34-8578 | 5569-04A4RM-210 | 4 | PEGS | POSITIVE | REFLOW/NICKEL | 94V-0 |
| | 39-30-3058 | 5569-05A4G-210 | 5 | PEGS | POSITIVE | 30 GOLD | 94V-0 | 50-34-8579 | 5569-05A4RM-210 | 5 | PEGS | POSITIVE | REFLOW/NICKEL | 94V-0 |
| | 39-30-3068 | 5569-06A4G-210 | 6 | PEGS | POSITIVE | 30 GOLD | 94V-0 | | | | | | | |
| C | 39-30-3078 | 5569-07A4G-210 | 7 | PEGS | POSITIVE | 30 GOLD | 94V-0 | | | | | | | |
| | 39-30-3088 | 5569-08A4G-210 | 8 | PEGS | POSITIVE | 30 GOLD | 94V-0 | | | | | | | |
| | 39-30-3098 | 5569-09A4G-210 | 9 | PEGS | POSITIVE | 30 GOLD | 94V-0 | | | | | | | |
| | 39-30-3108 | 5569-10A4G-210 | 10 | PEGS | POSITIVE | 30 GOLD | 94V-0 | | | | | | | |
| | 39-30-3118 | 5569-11A4G-210 | 11 | PEGS | POSITIVE | 30 GOLD | 94V-0 | | | | | | | |
| | 39-30-3128 | 5569-12A4G-210 | 12 | PEGS | POSITIVE | 30 GOLD | 94V-0 | | | | | | | |

| | | | | | | | | |
|---|---------------------|--|--------|--|-----------------|---|------------------------------|------------------------|
| SEE SHEET 1 EC NO: UCP2010-2882 DRWN: JAGUILAR 2010/05/13 CHKD: BELL 2010/05/17 APPR: FSMITH 2010/05/26 | QUALITY SYMBOLS | GENERAL TOLERANCES (UNLESS SPECIFIED) | | DIMENSION STYLE IN/MM | | SCALE | DESIGN UNITS METRIC | THIRD ANGLE PROJECTION |
| | | mm | INCH | DRAWN BY KSS | DATE 2/14/89 | TITLE RIGHT ANGLE HEADER ASSY (SINGLE ROW) (MINI-FIT JR. SERIES) | | |
| | | 4 PLACES ± .--- | ± .--- | CHECKED BY RJF | DATE 2/14/89 | MOLEX INCORPORATED | | |
| | | 3 PLACES ± .--- | ± .015 | APPROVED BY RAS | DATE 2/14/89 | | DOCUMENT NO. SDA-5569-NL* | |
| 2 PLACES ± .38 | ± .--- | DRAFT WHERE APPLICABLE MUST REMAIN WITHIN DIMENSIONS | | SHEET NO. 2 OF 4 | | | | |
| 1 PLACE ± .--- | ± .--- | MATERIAL NO. SEE TABLE | | THIS DRAWING CONTAINS INFORMATION THAT IS PROPRIETARY TO MOLEX INCORPORATED AND SHOULD NOT BE USED WITHOUT WRITTEN PERMISSION | | | | |

| 13 | 12 | 11 | 10 | 9 | 8 | 7 | 6 | 5 | 4 | 3 | 2 | 1 | | |
|------------|------------|---------------|-----------------|-------------|----------------------|---------------------|-------------|------------|-----------------|-----------------|-------------|----------------------|---------------------|-------------|
| E.D.P. NO. | ENG. NO. | CKT. SIZE | MOUNTING OPTION | LOCK OPTION | PLATING (SEE NOTE 2) | MAT'L. (SEE NOTE 1) | E.D.P. NO. | ENG. NO. | CKT. SIZE | MOUNTING OPTION | LOCK OPTION | PLATING (SEE NOTE 2) | MAT'L. (SEE NOTE 1) | |
| J | NO E.D.P. | 5569-04A5 | 4 | PEGS | PASSIVE | TIN/COPPER | 94V-2 | NO E.D.P. | 5569-04A4GS-400 | 4 | PEG | POSITIVE | 30 GOLD | 94V-0 |
| | I5-24-150I | 5569-05A5 | 5 | PEGS | PASSIVE | TIN/COPPER | 94V-2 | 50-30-4436 | 5569-05A4GS-400 | 5 | PEG | POSITIVE | 30 GOLD | 94V-0 |
| | NO E.D.P. | 5569-06A5 | 6 | PEGS | PASSIVE | TIN/COPPER | 94V-2 | NO E.D.P. | 5569-06A4GS-400 | 6 | PEG | POSITIVE | 30 GOLD | 94V-0 |
| | NO E.D.P. | 5569-07A5 | 7 | PEGS | PASSIVE | TIN/COPPER | 94V-2 | NO E.D.P. | 5569-07A4GS-400 | 7 | PEG | POSITIVE | 30 GOLD | 94V-0 |
| | NO E.D.P. | 5569-08A5 | 8 | PEGS | PASSIVE | TIN/COPPER | 94V-2 | NO E.D.P. | 5569-08A4GS-400 | 8 | PEG | POSITIVE | 30 GOLD | 94V-0 |
| | NO E.D.P. | 5569-09A5 | 9 | PEGS | PASSIVE | TIN/COPPER | 94V-2 | NO E.D.P. | 5569-09A4GS-400 | 9 | PEG | POSITIVE | 30 GOLD | 94V-0 |
| | NO E.D.P. | 5569-10A5 | 10 | PEGS | PASSIVE | TIN/COPPER | 94V-2 | NO E.D.P. | 5569-10A4GS-400 | 10 | PEG | POSITIVE | 30 GOLD | 94V-0 |
| I | NO E.D.P. | 5569-11A5 | 11 | PEGS | PASSIVE | TIN/COPPER | 94V-2 | NO E.D.P. | 5569-11A4GS-400 | 11 | PEG | POSITIVE | 30 GOLD | 94V-0 |
| | NO E.D.P. | 5569-12A5 | 12 | PEGS | PASSIVE | TIN/COPPER | 94V-2 | NO E.D.P. | 5569-12A4GS-400 | 12 | PEG | POSITIVE | 30 GOLD | 94V-0 |
| | NO E.D.P. | 5569-04A5-210 | 4 | PEGS | PASSIVE | TIN/COPPER | 94V-0 | 50-30-4438 | 5569-04A4GS | 4 | PEG | POSITIVE | 30 GOLD | 94V-2 |
| | I5-24-1503 | 5569-05A5-210 | 5 | PEGS | PASSIVE | TIN/COPPER | 94V-0 | 50-30-4439 | 5569-05A4GS | 5 | PEG | POSITIVE | 30 GOLD | 94V-2 |
| | NO E.D.P. | 5569-06A5-210 | 6 | PEGS | PASSIVE | TIN/COPPER | 94V-0 | NO E.D.P. | 5569-06A4GS | 6 | PEG | POSITIVE | 30 GOLD | 94V-2 |
| | NO E.D.P. | 5569-07A5-210 | 7 | PEGS | PASSIVE | TIN/COPPER | 94V-0 | NO E.D.P. | 5569-07A4GS | 7 | PEG | POSITIVE | 30 GOLD | 94V-2 |
| | NO E.D.P. | 5569-08A5-210 | 8 | PEGS | PASSIVE | TIN/COPPER | 94V-0 | NO E.D.P. | 5569-08A4GS | 8 | PEG | POSITIVE | 30 GOLD | 94V-2 |
| | NO E.D.P. | 5569-09A5-210 | 9 | PEGS | PASSIVE | TIN/COPPER | 94V-0 | NO E.D.P. | 5569-09A4GS | 9 | PEG | POSITIVE | 30 GOLD | 94V-2 |
| | NO E.D.P. | 5569-10A5-210 | 10 | PEGS | PASSIVE | TIN/COPPER | 94V-0 | NO E.D.P. | 5569-10A4GS | 10 | PEG | POSITIVE | 30 GOLD | 94V-2 |
| | NO E.D.P. | 5569-11A5-210 | 11 | PEGS | PASSIVE | TIN/COPPER | 94V-0 | NO E.D.P. | 5569-11A4GS | 11 | PEG | POSITIVE | 30 GOLD | 94V-2 |
| | NO E.D.P. | 5569-12A5-210 | 12 | PEGS | PASSIVE | TIN/COPPER | 94V-0 | NO E.D.P. | 5569-12A4GS | 12 | PEG | POSITIVE | 30 GOLD | 94V-2 |
| | NO E.D.P. | 5569-04A5G2 | 4 | PEGS | PASSIVE | I5 GOLD | 94V-2 | 50-30-4441 | 5569-04A4GS-210 | 4 | PEG | POSITIVE | 30 GOLD | 94V-0 |
| | I5-27-150I | 5569-05A5G2 | 5 | PEGS | PASSIVE | I5 GOLD | 94V-2 | 50-30-4442 | 5569-05A4GS-210 | 5 | PEG | POSITIVE | 30 GOLD | 94V-0 |
| G | NO E.D.P. | 5569-06A5G2 | 6 | PEGS | PASSIVE | I5 GOLD | 94V-2 | NO E.D.P. | 5569-06A4GS-210 | 6 | PEG | POSITIVE | 30 GOLD | 94V-0 |
| | NO E.D.P. | 5569-07A5G2 | 7 | PEGS | PASSIVE | I5 GOLD | 94V-2 | NO E.D.P. | 5569-07A4GS-210 | 7 | PEG | POSITIVE | 30 GOLD | 94V-0 |
| | NO E.D.P. | 5569-08A5G2 | 8 | PEGS | PASSIVE | I5 GOLD | 94V-2 | NO E.D.P. | 5569-08A4GS-210 | 8 | PEG | POSITIVE | 30 GOLD | 94V-0 |
| | NO E.D.P. | 5569-09A5G2 | 9 | PEGS | PASSIVE | I5 GOLD | 94V-2 | NO E.D.P. | 5569-09A4GS-210 | 9 | PEG | POSITIVE | 30 GOLD | 94V-0 |
| | NO E.D.P. | 5569-10A5G2 | 10 | PEGS | PASSIVE | I5 GOLD | 94V-2 | NO E.D.P. | 5569-10A4GS-210 | 10 | PEG | POSITIVE | 30 GOLD | 94V-0 |
| | NO E.D.P. | 5569-11A5G2 | 11 | PEGS | PASSIVE | I5 GOLD | 94V-2 | NO E.D.P. | 5569-11A4GS-210 | 11 | PEG | POSITIVE | 30 GOLD | 94V-0 |
| F | NO E.D.P. | 5569-12A5G2 | 12 | PEGS | PASSIVE | I5 GOLD | 94V-2 | NO E.D.P. | 5569-12A4GS-210 | 12 | PEG | POSITIVE | 30 GOLD | 94V-0 |
| | 39-31-1042 | 5569-04A4-BL | 4 | PEGS | POSITIVE | TIN/COPPER | 94V-2 BLACK | 50-30-4443 | 5569-04A3GS | 4 | SCREW | POSITIVE | 30 GOLD | 94V-2 |
| | 39-31-1052 | 5569-05A4-BL | 5 | PEGS | POSITIVE | TIN/COPPER | 94V-2 BLACK | NO E.D.P. | 5569-05A3GS | 5 | SCREW | POSITIVE | 30 GOLD | 94V-2 |
| | 39-31-1062 | 5569-06A4-BL | 6 | PEGS | POSITIVE | TIN/COPPER | 94V-2 BLACK | NO E.D.P. | 5569-06A3GS | 6 | SCREW | POSITIVE | 30 GOLD | 94V-2 |
| | 39-31-1072 | 5569-07A4-BL | 7 | PEGS | POSITIVE | TIN/COPPER | 94V-2 BLACK | NO E.D.P. | 5569-07A3GS | 7 | SCREW | POSITIVE | 30 GOLD | 94V-2 |
| | 39-31-1082 | 5569-08A4-BL | 8 | PEGS | POSITIVE | TIN/COPPER | 94V-2 BLACK | NO E.D.P. | 5569-08A3GS | 8 | SCREW | POSITIVE | 30 GOLD | 94V-2 |
| | 39-31-1092 | 5569-09A4-BL | 9 | PEGS | POSITIVE | TIN/COPPER | 94V-2 BLACK | NO E.D.P. | 5569-09A3GS | 9 | SCREW | POSITIVE | 30 GOLD | 94V-2 |
| E | 39-31-1102 | 5569-10A4-BL | 10 | PEGS | POSITIVE | TIN/COPPER | 94V-2 BLACK | NO E.D.P. | 5569-10A3GS | 10 | SCREW | POSITIVE | 30 GOLD | 94V-2 |
| | 39-31-1112 | 5569-11A4-BL | 11 | PEGS | POSITIVE | TIN/COPPER | 94V-2 BLACK | NO E.D.P. | 5569-11A3GS | 11 | SCREW | POSITIVE | 30 GOLD | 94V-2 |
| | 39-31-1122 | 5569-12A4-BL | 12 | PEGS | POSITIVE | TIN/COPPER | 94V-2 BLACK | NO E.D.P. | 5569-12A3GS | 12 | SCREW | POSITIVE | 30 GOLD | 94V-2 |
| | 39-30-6049 | 5569-04A3S | 4 | SCREWS | POSITIVE | TIN/NICKEL | 94V-2 | NO E.D.P. | 5569-04A4-400 | 4 | PEG | POSITIVE | TIN/COPPER | 94V-2 BLACK |
| | NO E.D.P. | 5569-05A3S | 5 | SCREWS | POSITIVE | TIN/NICKEL | 94V-2 | NO E.D.P. | 5569-05A4-400 | 5 | PEG | POSITIVE | TIN/COPPER | 94V-2 BLACK |
| | NO E.D.P. | 5569-06A3S | 6 | SCREWS | POSITIVE | TIN/NICKEL | 94V-2 | NO E.D.P. | 5569-06A4-400 | 6 | PEG | POSITIVE | TIN/COPPER | 94V-2 BLACK |
| D | NO E.D.P. | 5569-07A3S | 7 | SCREWS | POSITIVE | TIN/NICKEL | 94V-2 | NO E.D.P. | 5569-07A4-400 | 7 | PEG | POSITIVE | TIN/COPPER | 94V-2 BLACK |
| | NO E.D.P. | 5569-08A3S | 8 | SCREWS | POSITIVE | TIN/NICKEL | 94V-2 | NO E.D.P. | 5569-08A4-400 | 8 | PEG | POSITIVE | TIN/COPPER | 94V-2 BLACK |
| | NO E.D.P. | 5569-09A3S | 9 | SCREWS | POSITIVE | TIN/NICKEL | 94V-2 | NO E.D.P. | 5569-09A4-400 | 9 | PEG | POSITIVE | TIN/COPPER | 94V-2 BLACK |
| | NO E.D.P. | 5569-10A3S | 10 | SCREWS | POSITIVE | TIN/NICKEL | 94V-2 | NO E.D.P. | 5569-10A4-400 | 10 | PEG | POSITIVE | TIN/COPPER | 94V-2 BLACK |
| | NO E.D.P. | 5569-11A3S | 11 | SCREWS | POSITIVE | TIN/NICKEL | 94V-2 | NO E.D.P. | 5569-11A4-400 | 11 | PEG | POSITIVE | TIN/COPPER | 94V-2 BLACK |
| | NO E.D.P. | 5569-12A3S | 12 | SCREWS | POSITIVE | TIN/NICKEL | 94V-2 | NO E.D.P. | 5569-12A4-400 | 12 | PEG | POSITIVE | TIN/COPPER | 94V-2 BLACK |
| C | | | | | | | | | | | | | | |
| | | | | | | | | | | | | | | |
| | | | | | | | | | | | | | | |
| | | | | | | | | | | | | | | |
| | | | | | | | | | | | | | | |
| B | | | | | | | | | | | | | | |
| | | | | | | | | | | | | | | |
| | | | | | | | | | | | | | | |
| A | | | | | | | | | | | | | | |

| | | | | | | | | | |
|---|---------------------|---|--|---|--|---|------------------|----------------------------|--|
| SEE SHEET 1 EC NO: UCP2010-2882 DRWNG: JAGUILAR 2010/05/13 CHKD: J.BELL 2010/05/17 APPR: FSMITH 2010/05/26 P5 | QUALITY SYMBOLS | GENERAL TOLERANCES (UNLESS SPECIFIED) | | DIMENSION STYLE IN/MM | | SCALE METRIC | DESIGN UNITS | | |
| | | 4 PLACES ± .005 ± .005 3 PLACES ± .005 ± .015 2 PLACES ± .005 ± .015 1 PLACE ± .005 ± .015 | | DRAWN BY DATE KSS 2/14/89 CHECKED BY DATE RJF 2/14/89 APPROVED BY DATE RAS 2/14/89 | | TITLE RIGHT ANGLE HEADER ASSY (SINGLE ROW) (MINI-FIT JR. SERIES) | | MOLEX INCORPORATED | |
| | | ANGULAR ± 3° | | MATERIAL NO. SEE CHARTS | | DOCUMENT NO. SDA-5569-NL* | | SHEET NO. 3 OF 4 | |
| | | DRAFT WHERE APPLICABLE MUST REMAIN WITHIN DIMENSIONS | | | | THIS DRAWING CONTAINS INFORMATION THAT IS PROPRIETARY TO MOLEX INCORPORATED AND SHOULD NOT BE USED WITHOUT WRITTEN PERMISSION | | | |

| 13 | | 12 | | 11 | | 10 | | 9 | | 8 | | 7 | | 6 | | 5 | | 4 | | 3 | | 2 | | 1 | |
|------------|------------|-----------------|--|-----------|-----------------|-------------|----------------------|---|-----------------------|---|------------|---|----------|---|-----------|-----------------|-------------|----------------------|--|-----------------------|--|---|--|---|--|
| E.D.P. NO. | | ENG. NO. | | CKT. SIZE | MOUNTING OPTION | LOCK OPTION | PLATING (SEE NOTE 2) | | MATERIAL (SEE NOTE 1) | | E.D.P. NO. | | ENG. NO. | | CKT. SIZE | MOUNTING OPTION | LOCK OPTION | PLATING (SEE NOTE 2) | | MATERIAL (SEE NOTE 1) | | | | | |
| J | 50-30-4469 | 5569-04A3S-210 | | 4 | SCREW | POSITIVE | TIN/NICKEL | | 94V-2 | | | | | | | | | | | | | | | | |
| | NO E.D.P. | 5569-05A3S-210 | | 5 | SCREW | POSITIVE | TIN/NICKEL | | 94V-2 | | | | | | | | | | | | | | | | |
| | NO E.D.P. | 5569-06A3S-210 | | 6 | SCREW | POSITIVE | TIN/NICKEL | | 94V-2 | | | | | | | | | | | | | | | | |
| | NO E.D.P. | 5569-07A3S-210 | | 7 | SCREW | POSITIVE | TIN/NICKEL | | 94V-2 | | | | | | | | | | | | | | | | |
| | NO E.D.P. | 5569-08A3S-210 | | 8 | SCREW | POSITIVE | TIN/NICKEL | | 94V-2 | | | | | | | | | | | | | | | | |
| | NO E.D.P. | 5569-09A3S-210 | | 9 | SCREW | POSITIVE | TIN/NICKEL | | 94V-2 | | | | | | | | | | | | | | | | |
| | NO E.D.P. | 5569-10A3S-210 | | 10 | SCREW | POSITIVE | TIN/NICKEL | | 94V-2 | | | | | | | | | | | | | | | | |
| I | NO E.D.P. | 5569-11A3S-210 | | 11 | SCREW | POSITIVE | TIN/NICKEL | | 94V-2 | | | | | | | | | | | | | | | | |
| | NO E.D.P. | 5569-12A3S-210 | | 12 | SCREW | POSITIVE | TIN/NICKEL | | 94V-2 | | | | | | | | | | | | | | | | |
| | NO E.D.P. | 5569-04A3GS-210 | | 4 | SCREW | POSITIVE | 30 GOLD | | 94V-0 | | | | | | | | | | | | | | | | |
| | NO E.D.P. | 5569-05A3GS-210 | | 5 | SCREW | POSITIVE | 30 GOLD | | 94V-0 | | | | | | | | | | | | | | | | |
| | NO E.D.P. | 5569-06A3GS-210 | | 6 | SCREW | POSITIVE | 30 GOLD | | 94V-0 | | | | | | | | | | | | | | | | |
| | NO E.D.P. | 5569-07A3GS-210 | | 7 | SCREW | POSITIVE | 30 GOLD | | 94V-0 | | | | | | | | | | | | | | | | |
| H | NO E.D.P. | 5569-08A3GS-210 | | 8 | SCREW | POSITIVE | 30 GOLD | | 94V-0 | | | | | | | | | | | | | | | | |
| | NO E.D.P. | 5569-09A3GS-210 | | 9 | SCREW | POSITIVE | 30 GOLD | | 94V-0 | | | | | | | | | | | | | | | | |
| | NO E.D.P. | 5569-10A3GS-210 | | 10 | SCREW | POSITIVE | 30 GOLD | | 94V-0 | | | | | | | | | | | | | | | | |
| | NO E.D.P. | 5569-11A3GS-210 | | 11 | SCREW | POSITIVE | 30 GOLD | | 94V-0 | | | | | | | | | | | | | | | | |
| | NO E.D.P. | 5569-12A3GS-210 | | 12 | SCREW | POSITIVE | 30 GOLD | | 94V-0 | | | | | | | | | | | | | | | | |
| | NO E.D.P. | 5569-04A5GS2 | | 4 | PEG | PASSIVE | 15 GOLD | | 94V-2 | | | | | | | | | | | | | | | | |
| G | 26-01-3095 | 5569-05A5GS2 | | 5 | PEG | PASSIVE | 15 GOLD | | 94V-2 | | | | | | | | | | | | | | | | |
| | NO E.D.P. | 5569-06A5GS2 | | 6 | PEG | PASSIVE | 15 GOLD | | 94V-2 | | | | | | | | | | | | | | | | |
| | NO E.D.P. | 5569-07A5GS2 | | 7 | PEG | PASSIVE | 15 GOLD | | 94V-2 | | | | | | | | | | | | | | | | |
| | NO E.D.P. | 5569-08A5GS2 | | 8 | PEG | PASSIVE | 15 GOLD | | 94V-2 | | | | | | | | | | | | | | | | |
| | NO E.D.P. | 5569-09A5GS2 | | 9 | PEG | PASSIVE | 15 GOLD | | 94V-2 | | | | | | | | | | | | | | | | |
| | NO E.D.P. | 5569-10A5GS2 | | 10 | PEG | PASSIVE | 15 GOLD | | 94V-2 | | | | | | | | | | | | | | | | |
| F | NO E.D.P. | 5569-11A5GS2 | | 11 | PEG | PASSIVE | 15 GOLD | | 94V-2 | | | | | | | | | | | | | | | | |
| | NO E.D.P. | 5569-12A5GS2 | | 12 | PEG | PASSIVE | 15 GOLD | | 94V-2 | | | | | | | | | | | | | | | | |

| | | | | | | | | | | |
|--|------------------------|------------------|--|--------------------------|---------|---|--------------------------------------|------------------------|--|-----------|
| SEE SHEET 1 EC NO: UCP2010-2882 DRWN: JAGUILAR 2010/05/13 CHKD: JBELL 2010/05/17 APPR: FSMITH 2010/05/26 | DESCRIPTION REV: P5 | QUALITY SYMBOLS | GENERAL TOLERANCES (UNLESS SPECIFIED) | DIMENSION STYLE IN/MM | | SCALE | DESIGN UNITS METRIC | THIRD ANGLE PROJECTION | | |
| | | $\nabla = 0$ | 4 PLACES \pm mm \pm INCH | DRAWN BY | DATE | TITLE | RIGHT ANGLE HEADER ASSY (SINGLE ROW) | | | |
| | | $\nabla = 0$ | 3 PLACES \pm .015 | CHECKED BY | DATE | MOLEX INCORPORATED | | | | |
| | | $\nabla = 0$ | 2 PLACES \pm .38 | APPROVED BY | DATE | MATERIAL NO. | | DOCUMENT NO. | | SHEET NO. |
| | | ANGULAR \pm 3° | 1 PLACE \pm .015 | RAS | 2/14/89 | SDA-5569-NL* | | 4 OF 4 | | |
| | | | DRAFT WHERE APPLICABLE MUST REMAIN WITHIN DIMENSIONS | SEE TABLES | | THIS DRAWING CONTAINS INFORMATION THAT IS PROPRIETARY TO MOLEX INCORPORATED AND SHOULD NOT BE USED WITHOUT WRITTEN PERMISSION | | | | |