

## Standard Recovery Diodes (Stud Version), 55A

### Features

- Diffused Series
- Industrial grade
- Available in Normal and Reverse polarity
- Metric and UNF thread type

### Electrical Specifications (T<sub>A</sub> = 25°C, unless otherwise noted)

Symbol	Parameters	Values	Units
I <sub>F(AV)</sub>	Maximum avg. forward current @ T <sub>C</sub> = 150°C	55	A
V <sub>FM</sub>	Maximum peak forward voltage drop @ rated I <sub>F(AV)</sub>	1.3	V
I <sub>FSM</sub>	Maximum peak one cycle (non-rep) surge current @ 10 msec	850	A
I <sup>2</sup> t	Maximum I <sup>2</sup> t rating (non-rep) for 5 to 10 msec	3600	A <sup>2</sup> sec



DO-203AB (DO-5)

### Voltage Ratings (T<sub>A</sub> = 25°C, unless otherwise noted)

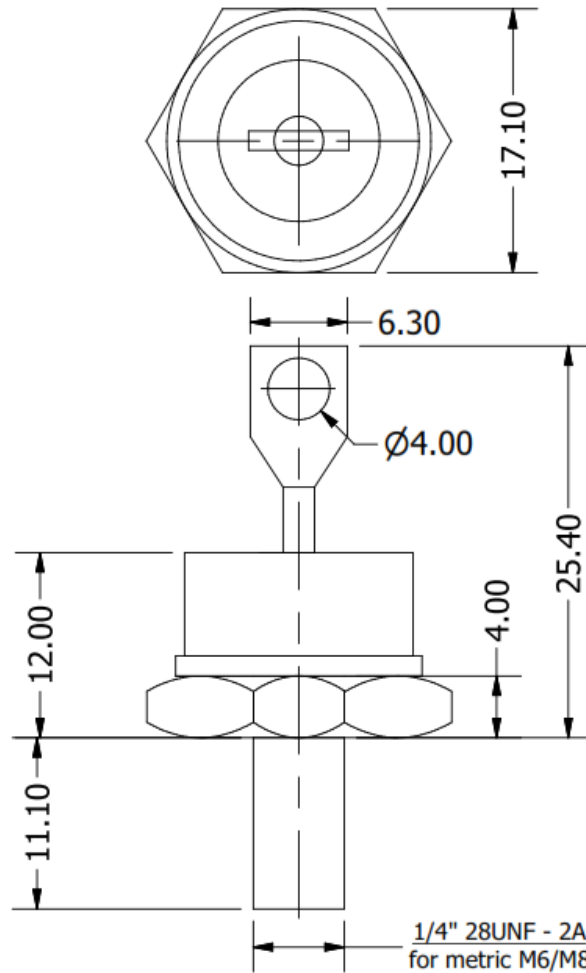
Type number	Voltage Code	V <sub>RRM</sub> , Maximum repetitive peak reverse voltage (V)	V <sub>R(RMS)</sub> , Maximum RMS reverse voltage (V)	V <sub>R</sub> , Maximum DC blocking voltage (V)	Recommended RMS working voltage (V)	I <sub>RRM</sub> , Maximum reverse leakage current (mA)
55NS(R)	10	100	70	100	40	10
	20	200	140	200	80	
	40	400	280	400	160	
	60	600	420	600	240	
	80	800	560	800	320	
	100	1000	700	1000	400	
	120	1200	840	1200	480	
	140	1400	980	1400	560	
	160	1600	1120	1600	640	

### Thermal & Mechanical Specifications (T<sub>A</sub> = 25°C, unless otherwise noted)

Symbol	Parameters	Values	Units
R <sub>th(JC)</sub>	Maximum thermal resistance, junction to case	0.65	°C/W
T <sub>J</sub>	Operating junction temperature range	-65 to 150	°C
T <sub>stg</sub>	Storage temperature	-65 to 150	°C
F	Mounting torque (non-lubricated threads)	3.5 ± 10%	Nm
W	Approximate allowable weight	17	g

**Package Outline**

**Dimensions for DO-203AB (DO-5) (in millimeters)**



**Ordering Table**

55	NS	R	120
1	2	3	4

- 1 – Current Rating =  $I_F (AV)$
- 2 – Rectifier Diode
- 3 – Polarity:
  - > None = Normal (Cathode to Stud)
  - > R = Reverse (Anode to Stud)
- 4 – Voltage Code x 10 =  $V_{RRM}$  (See Voltage Ratings Table)